

EuroSchwarz Wasserversorgung und Schwimmbad Industrie GmbH

1 FILTRATION

2 DOMESTIC

3 DOSAGE

4 HYGIENE

5 POOL

www.aqua.com.tr



EN - AQUA 2025

CONTENTS

- 01** FILTER HOUSINGS p. 13-22
- 02** BIG ONE FILTER HOUSINGS AND CARTRIDGES p. 23-25
- 03** FILTER CARTRIDGES p. 26-33
- 04** CABINETS p. 34-35
- 05** MINERAL TANKS AND ACCESSORIES p. 35-37
- 06** VALVES p. 38-39
- 07** MINERALS AND CHEMICALS p. 40-41
- 08** DOMESTIC SOFTENING DEVICES p. 42-43
- 09** INDUSTRIAL FILTER AND SOFTENING SYSTEMS p. 44-58
- 10** REVERSE OSMOSIS SYSTEM AND PARTS p. 59-67
- 11** NON- REPLACEABLE MEMBRANE POTABLE WATER SERIES TANKS p. 68
- 12** ULTRAVIOLET DISINFECTION SYSTEM p. 69-70
- 13** DOMESTIC TREATMENT DEVICES p. 72-76
- 14** DOMESTIC TREATMENT DEVICE FILTERS AND SPARE PARTS p. 77-84
- 15** FIXED PULSE DOSING PUMPS p. 86-90
- 16** MOTOR CONTROLLED PUMPS p. 91
- 17** AIR DIAPHRAGM DOSING PUMPS p. 92

CONTENTS

- 18** FLOW CONTROLLED DOSING PUMPS p. 93-94
- 19** SIGNAL CONTROLLED DOSING PUMPS p. 94-95
- 20** PH CONTROLLED DOSING PUMPS p. 96-97
- 21** ORP/RX CONTROLLED DOSING PUMPS p. 98-99
- 22** PPM CONTROLLED DOSING PUMPS p. 100
- 23** FREE CHLORINE MEASUREMENT SYSTEMS p. 101-104
- 24** MIXERS p. 105
- 25** MEASUREMENT DEVICES p. 106-108
- 26** TOWER - BOILER WATER DOSING SYSTEMS p. 108-109
- 27** POOL CHEMICAL DOSING SYSTEMS p. 109-111
- 28** SINGLE DETERGENT PUMPS p. 112-115
- 29** DUAL DETERGENT PUMPS p. 115
- 30** DETERGENT AND RINSE AID PUMP SPARE PARTS p. 116
- 31** DISINFECTION UNIT p. 117-118
- 32** DILUENTS p. 119
- 33** LAUNDRY SYSTEMS p. 120-125

CONTENTS

- 34** POOL FILTERS p. 127-133
- 35** CIRCULATION AND WHIRLPOOL PUMPS p. 134-138
- 36** ASSEMBLED MACHINE ROOM p. 139-141
- 37** POOL CONTROL PANEL p. 142-146
- 38** POOL CHEMICAL DOSING SYSTEMS p. 146-149
- 39** AQUA SALT CHLORINATOR p. 150-154
- 40** LADDERS p. 155-158
- 41** EDGE HANDLES p. 158
- 42** SHOWERS AND WATERFALLS p. 159
- 43** LAMPS p. 160-162
- 44** BOTTOM STRAINER p. 162-163
- 45** GRILLS p. 164
- 46** CORNER PARTSLARI p. 164
- 47** NOZZLE p. 164-165
- 48** SKIMMER p. 165-166
- 49** MAX JET p. 167



CONTENTS

- 50** JETWAG p. 167-168
- 51** BLOWER p. 168
- 52** POOL CLEANING ACCESSORIES p. 169-170
- 53** POOL THERMOMETER p. 170
- 54** POOL LIFEBOUY p. 170
- 55** POOL ROBOTS p. 171-172
- 56** TEST KITS p. 173
- 57** HEAT PUMP p. 174-175
- 58** HEAT EXCHANGER WITH PLATE p. 176
- 59** POLYESTER AND PREFABRICATED POOLS p. 177-184
- 60** COATING PRODUCTS AND MOUNTING ACCESSORIES p. 185-186
- 61** LINER ACCESSORIES p. 186
- 62** FLEX PIPES p. 187
- 63** POOL CHEMICALS p. 188-190
- 64** PVC FITTINGS AND VALVES p. 191-197
- 65** LANE MATERIALS p. 198
- 66** SAUNA EQUIPMENT p. 199
- 67** EXPLODED VIEW AND SPARE PARTS p. 200-224



ITALY

ENGLAND

SPAIN

- **Water Treatment Systems**
- **Domestic Treatment**
- **Dosing Pumps**
- **Hygiene Equipmen**
- **Pool Equipment**



Aqua industrial group



TÜRKİYE

DUBAI

INDIA

RUSSIA

Technological
& Innovative

9 factories
23.000 m2 of indoor space
7 branches
330 employees
10.225 product codes

PRODUCTION REGIONS

- S. Martine in Rio (RE)
- Rieti
- Bangalore IND
- Istanbul



Aqua industrial group





we are industry & innovation



Aqua industrial group



INDUSTRIAL GROUP

42 injection machines from 50 to 1,700 tons

704 special mold

13 extruder machines for melt-blown cartridges

20 winders for cartridges

2 welding machines for the production of tanks
and filters

Robotic production line for pool filters



WATER TREATMENT DEVICES and ACCESSORIES

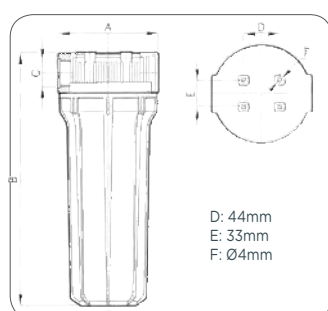


FILTER HOUSINGS

GIBO SERIES		Three parts as upper head, transparent sump and joint union. Polypropylene head with bronze thread. SAN housing. 32 bar burst pressure, 6 bar working pressure. Working temperature 5-40°C.	
CODE	MODEL	SIZE	CONNECTION
A1010830N	FP3	10"	3/4" F
A1010840N		10"	1" F



• Plastic opening Key included.



STANDARD SERIES		Three parts as upper head, transparent sump and joint union. 35 bar burst pressure. Working temperature 5-40°C.	
CODE	MODEL	SIZE	CONNECTION
A2010010	FP3/3	5"	1/2" F
A2010050		5"	3/4" F
A2012030		10"	1/2" F
A2012070		10"	3/4" F
A2012110		10"	1" F
A2010150		10"	1"1/4 F
A2012170		10"	1"1/2 F
A2012040		20"	1/2" F
A2010080		20"	3/4" F
A2010120		20"	1" F
A2010180		20"	1"1/2 F



• Bracket and Key are not included in the package.

STD PLASTIC		Plastic threaded filter housing compatible with acidic, basic chemicals..	
CODE	MODEL	SIZE	CONNECTION
A1030130	FP2/3	5"	3/4"
A2020190	FP2/3	10"	1"



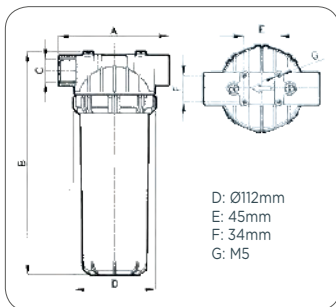
• Bracket and Key are not included in the package..

WATER TREATMENT DEVICES and ACCESSORIES

HIGH PRESSURE SERIES (SAN SUMP)		Three parts as upper head (bronze), transparent sump (SAN) and joint union. Viton O-Ring. Working pressure max 8 bar. Burst pressure max 35 bar. Working temperature 5-50°C. At 2 bar capacity 1" F 105.60 lt/min, 1 1/2" F 216 lt/min, 2" 194 lt/min	
CODE	MODEL	SIZE	CONNECTION
A3010070	FO3 (Bronze Head)	10"	1" F
A3010120		10"	1 1/2" F
A3010140		10"	2" F
A3010080		20"	1" F
A3010130		20"	1 1/2" F
A3010150		20"	2" F



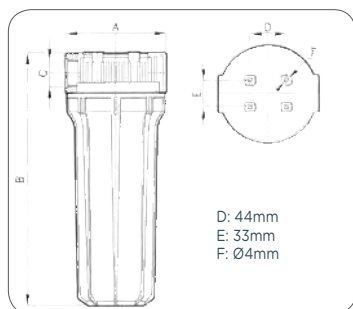
HIGH PRESSURE SERIES (TROGAMID SUMP)		Three parts as upper head (bronze), transparent sump (TROGAMID) and joint union. Viton O-Ring. Working pressure max. 12 bar. Burst pressure max. 50 bar. Working temperature 5-80°C. At 2 bar capacity 1" F 105.60 lt/min, 1 1/2" F 216 lt/min 2" 194 lt/min	
CODE	MODEL	SIZE	CONNECTION
A3020070	FO3 (Bronze Head)	10"	1" F
A3020120		10"	1 1/2" F
A3020140		10"	2" F



WATER TREATMENT DEVICES and ACCESSORIES

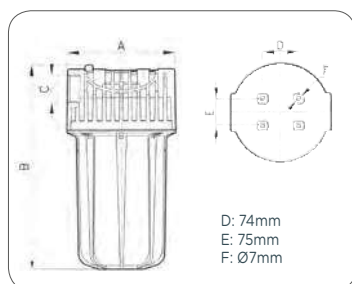


HIGH TEMPERATURE SERIES (FP2 HT)		A professional housing designed for high operating conditions, the FP2 HT has been designed as an alternative to bronze and stainless steel filter housings. Its excellent compatibility with chemicals makes FP2 HT filter housings an excellent choice for industrial applications. High resistance BPS threads. Compatible with standard filters. PBT head. PBT+FV housing. Viton O-Ring. Working pressure max. 10 bar. Burst pressure 35 bar. Working temperature 5-90°C. At 2 bar capacity 1/2" F 106.60 lt/min	
CODE	MODEL	SIZE	CONNETCION
A1110030	FP2 HT	10"	1" F
A1110060		20"	1" F



AQUA BIG / BIG BLUE

AQUA BIG / BIG BLUE		Aqua Big series are filter housings designed for small industrial applications. Only the head of the transparent housing model is made of polypropylene material, while the opaque model is made entirely of polypropylene material. Diameter 185 mm. Silicone O-Ring. Working pressure max. 8 bar. Burst pressure max. 35 bar. Working temperature 5-40°C. At 2 bar capacity 1" F 106,98 lt/min, 1"1/2 F 194,48 lt/min		
CODE	MODEL	SIZE	CONNECTION	DIMENSIONS axb (mm)
A1050120	AB VT (TRANSPARE NT)	10"	1" F	185x343
A1050130		10"	1"1/2 F	185x353
A1050140		20"	1" F	185x615
A1050150		20"	1"1/2 F	185x625
A1050180	AB V/OPB (OPQUE)	10"	1" F	185x343
A1050240		10"	1"1/2 F	185x353
A1050170		20"	1" F	185x615
A1050160		20"	1"1/2 F	185x625
A1050290		30"	1"1/2 F	185x878



AB W/OPB 30"



AB V/T



AB W/OPB

WATER TREATMENT DEVICES and ACCESSORIES

HOUSING ANAHTARLARI		Housing keys for filter housings.
CODE	MODEL - DESCRIPTION	
A6010010	Plastic key for FP2, FP3 and GIBO NEW model housings	
A6010220	Plastic key for AQUA KID model housings	
A6010090	Plastic key for AQUA BIG model housings	
S3010070	Metal key for FO3 model housings	
S3010090	Metal key for AP-ECO and AP-ECO HT	



BRACKETS		Different types of brackets.
CODE	MODEL - DESCRIPTION	
A6010930	SINGLE plastic wall mount for FP2/3 - FP3/3 and GIBO NEW housing	
A6011340	DOUBLE plastic wall mount for FP2/3 - FP3/3 housing	
A6012370	SINGLE plastic wall mount for AQUA KID housing	
PN020070	TRIPLE metal wall mount for FP2/3 - FP3/3 housing	
PN020100	SINGLE metal wall mount for AQUA-BIG housing	



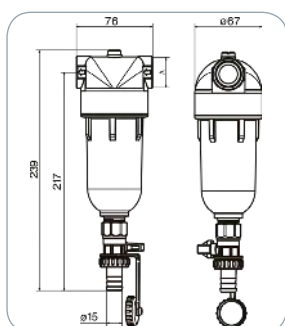
FILTER HOUSINGS SPARE PARTS		Housing o-ring and sumps.
CODE	MODEL - DESCRIPTION	
MG011370	O-RING for FP2-FP3 - GIBO NEW housings	
MG011220	O-RING for AQUA BIGs	
A6010720	Union for FP 3/3 housing	
A6040050R	10" Transparent Lower housing for FP 2/3 housing	
A6040205R	10" Transparent Lower housing for FP 3/3 housing	
A6040210R	20" Transparent Lower housing for FP 3/3 housing	
A6020440	Nipple 1/2"F for FP 2/3-FP 3/3 housing	
A6020450	Nipple 3/4"F for FP 2/3-FP 3/3 housing	
A6020040	Nipple 1"F for FP 2/3-FP 3/3 housing	



SELF CLEANING FILTERS

AP-ECO / AP-ECO HT		Designed for filtering domestic and industrial waters. Ideal for protecting pipes and installations from corrosion and deterioration due to sand, rust, and suspended particles in water. Bottom blow-off housing, bronze head, NBR/Viton O-ring. Working pressure maximum 16 Bar, minimum 1,5 Bar. Burst pressure 64 Bar. Working temperature minimum 5°C, maximum 40°C-80°C. SAN housing in AP-ECO series, TROGAMID housing in AP-ECO HT series. AP-ECO is supplied with bottom drain tap and 80 micron RLA washable filter. AP-ECO HT is supplied with a stainless steel washable filter.	
CODE	MODEL	CONNECTION	FLOW
A8000300	AP - ECO	3/4" F	2,4 m ³ / h
A8000320	AP - ECO HT	3/4" F	2,3 m ³ / h
A800C030	AP - ECO	RLA Spare filter	
A800C040	AP - ECO HT	AC Spare filter	

- Drain tap and internal filter are included in the package.



AP - ECO



AP - ECO HT

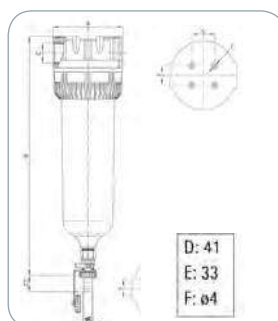
AP-EASY HTSS		Bottom blow-off housing, bronze head, 304 stainless steel bottom sump, 3-piece, complete with bottom drain tap. Working pressure 16 bar. 64 bar burst pressure. 90 °C working temperature.	
CODE	MODEL	SIZE	CONNECTION
A3030080	AP-EASY HTSS	10"	1" F
A3030100		10"	1 1/2" F
A3030110		10"	2" F

- Drain tap and internal filter are included in the package.



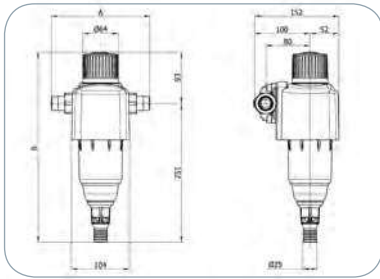
AP-EASY		A simple and easy-to-use filter for removing sand, metal and suspended particles in water. Ideal for domestic installation. Offers easy and fast cartridge washing process. Bottom blow-off, polypropylene head. SAN housing. NBR O-ring. Supplied with bottom drain tap and 80 micron RLA washable filter. Working pressure maximum 8 Bar, minimum 1,5 Bar. Burst pressure 32 Bar. Working temperature minimum 5°C, maximum 40°C.		
CODE	MODEL	SIZE	CONNECTION	FLOW
A8000520	AP-EASY	10"	1" F	4,8 m ³ / h
A8000540		10"	1 1/2" F	5,3 m ³ / h

- Drain tap and internal filter are included in the package

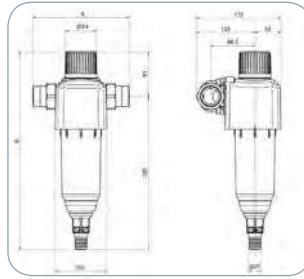


WATER TREATMENT DEVICES and ACCESSORIES

AP-PRO/AP-PRO PLUS		Innovative semi-automatic filter for removing sand, metal, and suspended particles in water. Offers inside-out filtration. Water enters the filter and flows through the cartridge from the inside to the outside. A simple anti-clockwise turn of the knob provides high speed washing of water. Dirty water is discharge through the drain valve. The knob is turned clockwise to complete the cartridge cleaning process. The filtered water supply does not stop during cartridge washing. DELRIN head with bronze flange. SAN housing. NBR O-ring. 80 micron washable RLA filter. Working pressure maximum 10Bar, minimum 1,5 Bar. Burst pressure maximum 40 Bar. Working temperature 5-40°C.	
CODE	MODEL	CONNECTION	FLOW
A8000010	AP - PRO	1" F	4 m ³ / h
A8000050	AP - PRO PLUS	1 1/2" F	6 m ³ / h
A800C010	AP - PRO	RLA Spare filter	
A800C020	AP - PRO PLUS	RLA Spare filter	



AP - PRO



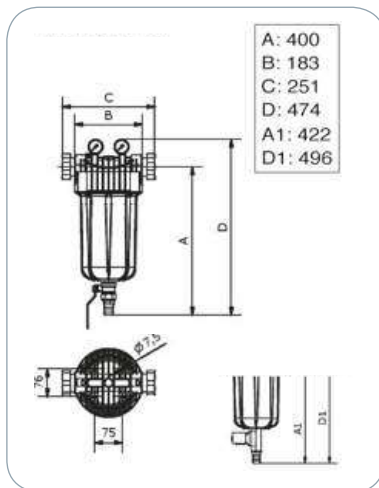
AP - PRO PLUS



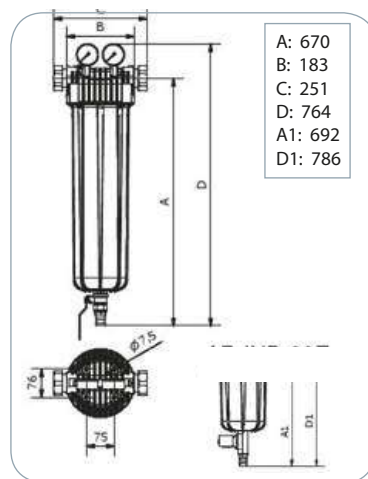
AP - IND		Simple and easy to clean and maintain filter for removing sand, metal, and suspended particles in water. Supplied complete with bottom drain tap, manometers and washable 80 micron RLA AB. PP pump head. PP housing. Silicone O-ring. AP-IND 10"; Working pressure maximum 8 Bar, minimum 1,5 Bar. Burst pressure: 35 Bar. Working temperature 5°C-40°C. AP-IND 20"; Working pressure maximum 10 Bar, minimum 1,5 Bar. Burst pressure: 40 Bar. Working temperature 5°C-40°C.		
CODE	MODEL	SIZE	CONNECTION	FLOW
A8000700	AP - IND	10"	1 1/4" F	7 m ³ / h
A8000750		20"	2" F	10 m ³ / h



- Drain tap, internal filter and manometers are included in the package.



AP - IND 10"



AP - IND 20"



WATER TREATMENT DEVICES and ACCESSORIES



EQUA SELF CLEANING KIT		Automatic drain kit for self cleaning filters. 230 VAC. 50/60 Hz. with time-controlled panel and actuated valve. Ability to decide how long to backwash at which time interval. Turkish menu.
CODE	MODEL	SIZE
A8000970E	Self Cleaning Kit	Automation kit for Ap-Eco, Ap-Std, Ap-Easy, Ap-Easy Ht, Ap-Dublex, Ap-Triplex
A8000980E		Automation kit for Ap-Ind



SELF CLEANING AP-IND	Thanks to the Self Cleaning AP-IND automatic control system, the filter is cleaned without the need for user intervention by backwashing 24 hours a day, 7 days a week, at any time and in any quantity. Complete package with Aqua housing, washable filter and automation. Suitable for salt water. 20'' housing, 80 micron plastic washable filter. Housing 100%polypropylene. Corrosion and abrasion resistant, unbreakable. Easy installation. Single filter for easy and quick maintenance. Electric actuator valves.
CODE	MODEL - DESCRIPTION
Y1172	20" Self Cleaning AP-IND

TECHNICAL DATA

CODE	SIZE	IN-OUT	FLOW RATE	WORKING PRESSURE	BURTH PRESSURE	WORKING TEMP.
Y1172	20''	2''	20 m ³ /h	Max. 10 bar	Max. 40 bar	5°C-40°C

ACCESSORIES AND SPARE PARTS	Plastic washable spare internal filter.		
CODE	SIZE	MICRON	FLOW RATE L/h
A4030080	20''	80	10000



WATER TREATMENT DEVICES and ACCESSORIES

AQUA SELF CLEANING BIG ONE	Thanks to the Aqua Self Cleaning Big One automatic control system, the filter is cleaned without the need for user intervention by backwashing 24 hours a day, 7 days a week, at any time and in any quantity. Complete package with Big one housing, washable filter and automation. Suitable for salt water. 23'' and 40'' housing, 80 micron washable filter. Housing 100% polypropylene. Corrosion and abrasion resistant, unbreakable. Easy installation. Single filter for easy and fast maintenance. Corrosion resistant AISI 314 stainless steel clamp. Double O-Ring for filter leakage. Safety valve 10 bar. Electric actuator valves.
CODE	MODEL - DESCRIPTION
A1150050A	23'' Self Cleaning Big One
A1150060A	40'' Self Cleaning Big One

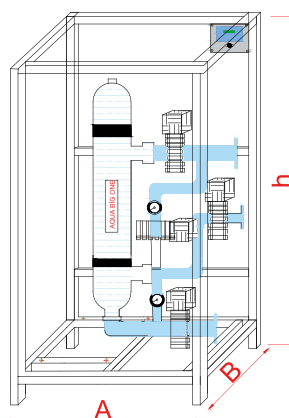
- Ask price for stainless steel filter.

TECHNICAL DATA

CODE	SIZE	IN-OUT	FLOW RATE	WORKING PRESSURE	BURST PRESSURE	WORKING TEMP.
A1150050A	23''	3'' Flange	30 m ³ /h	Max. 7 bar	Max. 20 bar	5°C-40°C
A1150060A	40''	3'' Flange	45 m ³ /h	Max. 7 bar	Max. 20 bar	5°C-40°C

ACCESSORIES AND SPARE PARTS		Spare internal filter for Aqua Self Cleaning Big One.		
CODE	SIZE	MICRON	FLOW RATE/h	
A4038010	23''	80	30000	
A4038030	40''	80	45000	

- Flow rates are valid when clean.



A : 100 cm

B : 50 cm

h : 175 cm

EQUA ST-37 CARBON STEEL SEPARATOR FILTERS		Working pressure 7 bar Drainage line: 1" connection. filtration range: 80-110 micron SS304	
CODE	INPUT-OUTPUT	CAPACITY (m ³ /h)	
EQ6110ST	1" (DN25)	6-11	
EQ1418ST	1 1/2" (DN40)	14-18	
EQ1724ST	2" (DN50)	17-24	
EQ2235ST	2 1/2" (DN65)	22-35	
EQ3366ST	3" (DN80)	33-66	
EQ6411ST	4" (DN100)	64-110	
A8000980E	Automatic Blow-Off System (Valve Included)		



- Ask price for AISI 316.

EQUA STAINLESS STEEL SEPARATOR FILTERS		Working pressure 7 bar Drainage line: 1" connection. filtration range: 80-110 micron. SS304	
CODE	INPUT-OUTPUT	CAPACITY (m ³ /h)	
EQ6110	1" (DN25)	6-11	
EQ1418	1 1/2" (DN40)	14-18	
EQ1724	2" (DN50)	17-24	
EQ2235	2 1/2" (DN65)	22-35	
EQ3366	3" (DN80)	33-66	
EQ6411	4" (DN100)	64-110	
A8000980E	Automatic Blow-Off System (Valve Included)		



- Ask price for AISI 316.

EQUA STAINLESS STEEL MULTI CARTRIDGE FILTERS		Working pressure 7 bar. Head with clamp. Connections with nipple. Prices do not include filters. SS304		
CODE	INPUT-OUTPUT	SIZE	NUMBER OF FILTERS	CAPACITY (m ³ /h)
EQ203	2"	20"	3	6
EQ205	2"	20"	5	10
EQ303	2"	30"	3	9
EQ305	2"	30"	5	13
EQ308	3"	30"	8	21
EQ405	2"	40"	5	20
EQ408	3"	40"	8	30
EQ412	3"	40"	12	45
EQ416	4"	40"	16	60



- Ask price for AISI 316.
- The specified flow rates are for 5 micron filters

WATER TREATMENT DEVICES and ACCESSORIES

EQUA STAINLESS BAG FILTERS		Working pressure 7 bar. Max. working temperature 50°C. Head with clamp. Connections with nipple. Prices do not include filters. SS304	
CODE	INPUT-OUTPUT	CAPACITY (m ³ /h)	
EQT102	2" (DN50) Threaded	10	
EQT303	3" (DN80) Flange	30	

- Ask price for AISI 316.

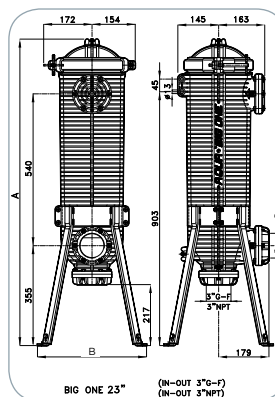


BAG FILTER SPARES	
CODE	MICRON
Y1152	1 Micron
Y0367	5 Micron
Y0900	20 Micron
Y0993	50 Micron

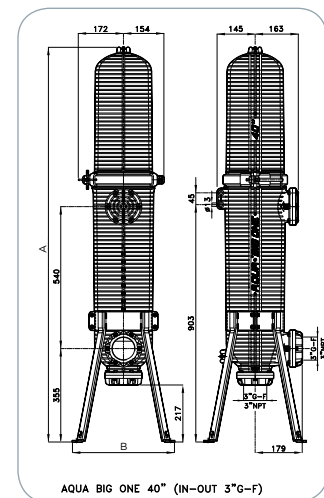


BIG ONE FILTER HOUSINGS and CARTRIDGES

BIG ONE FILTER HOUSINGS		Designed for professional applications. High capacity 100% polypropylene material. Maximum working pressure 6 bar, burst pressure 20 bar. Suitable for high conductivity water and sea water filtration. 30 m3/h or 15 m3/h options. Wide range of cartridges. Recommended for use as final filter in industrial osmosis. The cartridge design with double O-Ring and cover prevents by-pass from filtering the water.	
CODE	MODEL	SIZE	CONNECTION
A1150110	Big One	23"	3" F
A1150120		40"	3" F



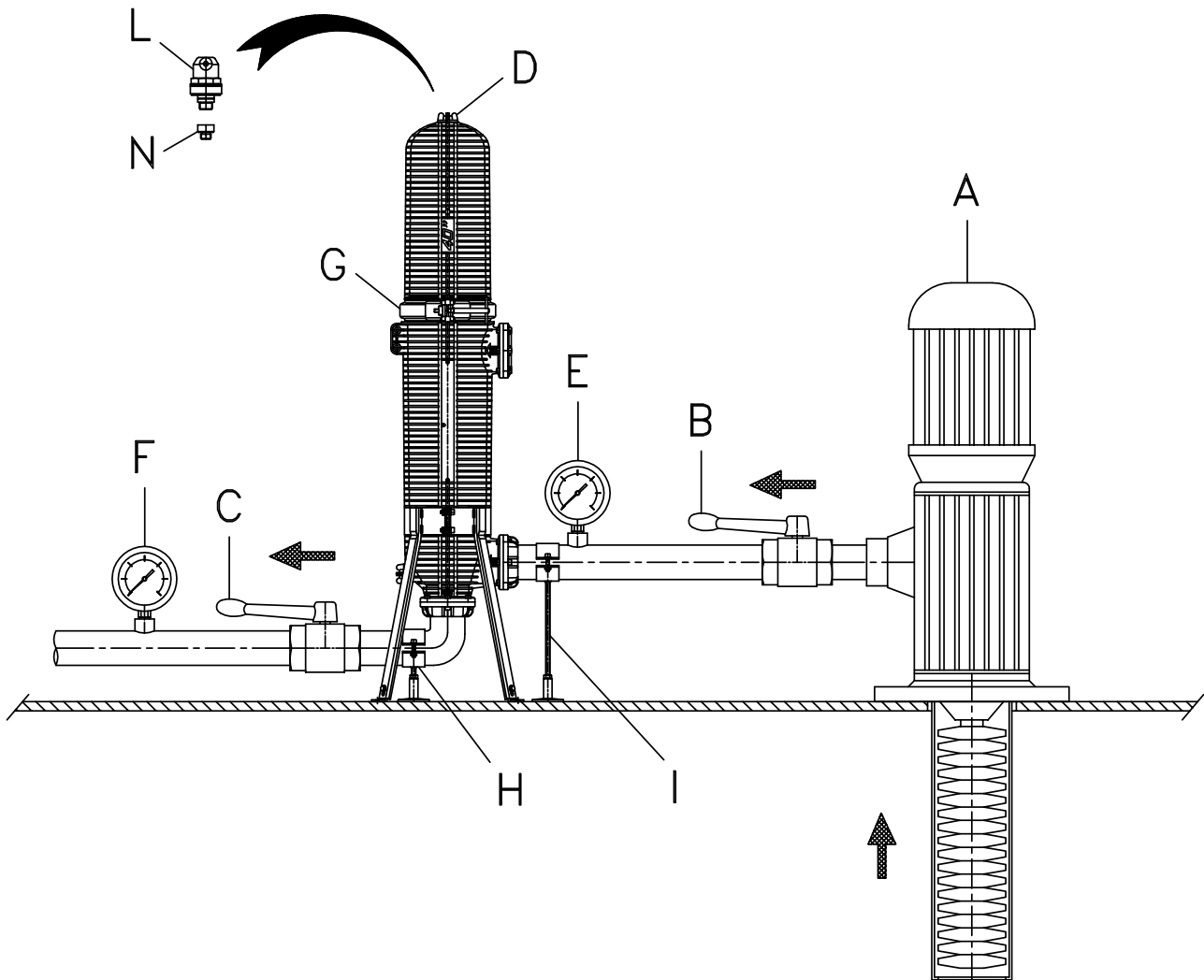
23"



40"

WATER TREATMENT DEVICES and ACCESSORIES

INSTALLATION DIAGRAM



A	Pump
B, C	Valve
D	G 3/4 Plug
E, F	0-16 bar Manometer
G	Big One
H, I	Pipe Supporti
L	Air release valve (optional)
N	Adapter M/F (optional)

WATER TREATMENT DEVICES and ACCESSORIES



BIG ONE FILTER - MELTBLOWN FILTER		100% polypropylene, in compliance with food regulations. Twostage. High efficiency (%95).	
CODE	MODEL	SIZE	MICRON
A4310060	FON BO 2 stage	23"	1-10 micron
A4310030		23"	5-20 micron
A4310040		23"	20-50 micron
A4310050		40"	1-10 micron
A4310010		40"	5-20 micron
A4310020		40"	20-50 micron



- Big One cartridge filter sales are made only to companies where Big One housing is sold.

BIG ONE FILTER - WOUND		100% polypropylene, in compliance with food regulations. Economic filter.	
CODE	MODEL	SIZE	MIKRON
A4018020	FA BO	23"	5 micron
A4018060		40"	5 micron



- Big One cartridge filter sales are made only to companies where Big One housing is sold.

BIG ONE FILTER - PLASTIC WASHABLE		100% polypropylene, in compliance with food regulations. High capacity.	
CODE	MODEL	SIZE	MICRON
A4038010	RLA BO	23"	80 mikron
A4038030		40"	80 mikron



- Big One cartridge filter sales are made only to companies where Big One housing is sold.

FLOW RATES (L/h)

	MICRON	23"	40"
FON BIG ONE	1-10	8000	16000
FON BIG ONE	5-20	15000	30000
FON BIG ONE	20-50	20000	40000
FA BIG ONE	5	16000	32000
RLA BIG ONE	80	30000	45000

- The specified flow rates are valid when the filters are clean and at 20°C.

WATER TREATMENT DEVICES and ACCESSORIES

MELT BLOWN SEDIMENT FILTERS

FILTER CARTRIDGES (EQUA SERIES)		Economical spun filter	
CODE	MODEL	SIZE	MICRON
Y0618	EQUA SPUN	10"	1 micron
Y0073			5 micron
Y0619			20 micron
Y0620		20"	1 micron
Y0100			5 micron
Y0621		30"	1 micron
Y0207			5 micron
Y0622		40"	1 micron
Y0204			5 micron



FILTER CARTRIDGES (EQUA BIG SERIES)		Economical spun filter for big blue housings..	
KOD	MODEL	SIZE	MICRON
Y0392	EQUA AB SPUN	10"	5 micron
Y0391		20"	5 micron

FILTER CARTRIDGES (FR-E SERIES)		100% polypropylene, in compliance with food regulations, 80% filtration efficiency. Inner diameter (b) 28 mm, outer diameter (c) 61 mm. Working pressure max. 8 bar. Working temperature max. 50 °C .	
CODE	MODEL	SIZE	MICRON
A4261100	FR-E	10"	1 micron
A4261110			5 micron
A4261115			10 micron
A4261120			20 micron
A4261140		20"	1 micron
A4261150			5 micron
A4261155			10 micron
A4261160			20 micron
A4261180		30"	1 micron
A4261190			5 micron
A4261220		40"	1 micron
A4261230			5 micron



FILTER CARTRIDGES (FR-E AB SERIES)		For AQUA BIG (BIG BLUE) housings, 100% polypropylene, in compliance with food regulations, 80% filtration efficiency. Inner diameter (b) 28 mm, outer diameter (c) 100 mm. Working pressure max. 8 bar. Working temperature max. 50°C.	
CODE	MODEL	SIZE	MICRON
A4350120	FR E- AB	10"	5 micron
A4350140			20 micron
A4350200		20"	5 micron
A4350220			20 micron



FLOW RATE (L/h)

CODE	MICRON	10"	20"	30"	40"
FR-E	5	1600	2800	4300	5800
	20	2200	4000	6000	7900
FR-E AB	5	1600	2800		
	20	2500	4300		



FILTER CARTRIDGES (FR-N SERIES)		100% polypropylene, in compliance with food regulations, plastic inner cage. 95% filtration efficiency. Inner diameter (b) 28 mm, outer diameter (c) 63 mm. Working pressure max. 8 bar. Working temperature max. 80°C.	
CODE	MODEL	SIZE	MICRON
A4240090	FR-N	5"	1 micron
A4240110			5 micron
A4240250		10"	1 micron
A4240270			5 micron
A4240280			10 micron
A4240290			20 micron
A4240410		20"	1 micron
A4240430			5 micron
A4240440			10 micron
A4240450			20 micron
A4240490		30"	1 micron
A4240510			5 micron
A4240570		40"	1 micron
A4240590			5 micron



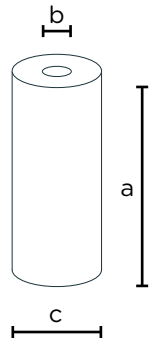
WATER TREATMENT DEVICES and ACCESSORIES

FILTER CARTRIDGES (FR-N AB SERIES)		100% polypropylene, in compliance with food regulations, 95% filtration efficiency. Inner diameter (b) 28 mm, outer diameter (c) 110 mm. Working pressure max. 8 bar. Working temperature max. 80 °C.	
CODE	MODEL	SIZE	MICRON
A427012E	FR-N AB	10"	5-20 micron
A427014E			20-50 micron
A427020E		20"	5-20 micron
A427022E			20-50 micron
A427005S		30"	5-20 micron



FLOW RATE (L/h)

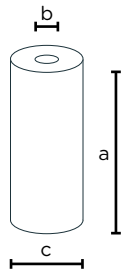
MODEL	MICRON	5"	10"	20"	30"	40"
FR-N	1	500	1000	1800	2700	3500
	5	750	1600	2800	4300	5400
	10		2000	3600		
	20		2500	4300		
FR-N AB	5-20		2000	3300	4500	
	20-50		3000	5200		



UF FILTRATION			
CODE	FLOW (L/h)	SIZE	MICRON
A4360000	600	10"	0,1 mikron
A4360010	1100	20"	
A4360100	1200	10"	
A4360110	2400	20"	



UF	NORMAL	BIG
Filter material	PVDF	PVDF
O-Ring	Silicone	Silicone
Max. pressure	4 Bar	4 Bar
Max. temperature	40°C	40°C
Inner diameter	28 mm	28 mm
Outer diameter	73 mm	117 mm



WOUND CARTRIDGES

WOUND CARTRIDGES (FA-LFH SERIES)		100% polypropylene, in compliance with food regulations. 80% filtration efficiency. Inner diameter (b) 28mm, outer diameter (c) 61 mm. Working pressure max. 8 bar. Working temperature max. 50°C.	
CODE	MODEL	SIZE	MICRON
A4013110	FA	5"	5 micron
A4013130			20 micron
A4013240		10"	1 micron
A4013250			5 micron
A4013260			10 micron
A4013270			20 micron
A4013380		20"	1 micron
A4013390			5 micron
A4013400			10 micron
A4013410			20 micron
A4013450		30"	1 micron
A4013460			5 micron
A4013480			20 micron
A4013520		40"	1 micron
A4013530			5 micron
A4013550			20 micron



WOUND CARTRIDGES (FA-LFH SERIES)		100% polypropylene, in compliance with food regulations. 80% filtration efficiency. Inner diameter (b) 28 mm, outer diameter (b) 28 mm, outer diameter (c) 61 mm. Working pressure max. 8 bar. Working temperature max. 50°C.	
CODE	MODEL	SIZE	MICRON
A4010790	FA	10"(For 1 1/2F-2"F input-output housings)	5 micron
A4014101			20 micron
A4014103		20"(For 1 1/2F-2"F input-output housings)	5 micron
A4014104			20 micron

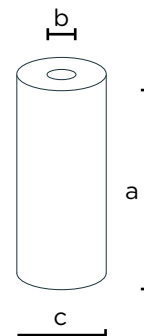
WOUND CARTRIDGES (FA-AB SERIES)		For AQUA BIG (BIG BLUE) housings, 100% polypropylene, in compliance with food regulations. 80% filtration efficiency. Inner diameter (b) 28 mm-38 mm, outer diameter (c) 114 mm. Working pressure max. 8 bar. Working temperature max. 50°C.	
CODE	MODEL	SIZE	MICRON
A4010650	FA - AB	10"	5 micron
A4010660			20 micron
A4010700		20"	5 micron
A4010710			20 micron
A4011750		30"	5 micron



WATER TREATMENT DEVICES and ACCESSORIES

FLOW RATE (L/h)

MODEL	MICRON	5"	10"	20"	30"	40"
FA	1		500	900	1300	1800
	5	650	1300	2300	3500	4600
	10		2000	3600		
	20	1250	2500	4500	6700	9000
	FA-AB	5	1500	2700	4000	
	20		3000	5400		



WASHABLE / PLASTIC FILTERS

WASHABLE FILTERS (RLA SERIES)		100% polypropylene, in compliance with food regulations. Used in standard filter containers. 80% filtration efficiency. Inner diameter (b) 27 mm, (d) 27 mm- 38 mm, outer diameter (c) 65 mm. Working pressure max. 8 bar. Working temperature max. 50°C.	
CODE	MODEL	SIZE	MICRON
A4030100	RLA	5"	80 micron
A4030030		10"	80 micron
A4030040		20"	80 micron
A4030070		10" (For 1 1/2F - 2"F input-output housings)	80 micron
A4030080		20" (For 1 1/2F - 2"F input-output housings)	80 micron



WASHABLE FILTERS (RLA KID SERIES)		100% polypropylene, in compliance with food regulations. 80% filtration efficiency. Inner diameter (b) 27 mm (d) 27 mm, outer diameter (c) 50 mm. Working pressure max. 8 bar. Working temperature max. 50°C.	
CODE	MODEL	SIZE	MICRON
A4030090	RLA KID	5"	80 micron



WASHABLE FILTERS (RLA AB SERIES)		For AQUA BIG (BIG BLUE) housings. 100% polypropylene, in compliance with food regulations. Inner diameter (b) 27 mm (d) 36 mm, outer diameter (c) 115 mm. Working pressure max. 8 bar. Working temperature max. 50°C.	
CODE	MODEL	SIZE	MICRON
A4030510	RLA AB	10"	80 micron
A4030530		20"	80 micron
A4030550		30"	80 micron



FLOW RATE (L/h)

MODEL	MICRON	5"	10"	20"	30"
RLA	80	1750	3500	10000	
RLA KID		1900			
RLA-AB		6000	12000	18000	



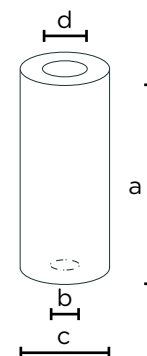
WASHABLE / STAINLESS STEEL FILTERS

STAINLESS FILTERS (AC - AC HT SERIES)		Stainless steel washable cartridge with flat surface. SS AISI 304. AC series inner diameter (b) 27 mm (d) 27 mm, outer diameter 68 mm. AC-HT series inner diameter (b) 26 mm (d) 26 mm-37 mm, outer diameter (c) 68 mm. AC series withstands up to max. 80°C / AC-HT series up to max. 100°C.	
CODE	MODEL	SIZE	MICRON
A4050110	AC	5"	80 micron
A4050130		10"	80 micron
A4050040		20"	80 micron
A4050080	AC-HT	10" (For 1 1/2F - 2"F input-output housings)	80 micron
A4050090		20" (For 1 1/2F - 2"F input-output housings)	80 micron



FLOW RATE (L/h)

MODEL	MICRON	5"	10"	20"
AC	80	1200	2500	4800
AC-HT	80		3200	6400



WATER TREATMENT DEVICES and ACCESSORIES

ACTIVE CARBON CARTRIDGE FILTERS

AQUA ACTIVE CARBON CARTRIDGES (CTO-E, CA POST AND GAC SERIES)		CTO-E: Block carbon / CA-POST: Granulated carbon in atransparent cartridge / GAC-40: Filtered granular carboncartridge / IN-LINE CARBON: Sweetener post carbon. 95% filtration efficiency. Working pressure max. 8 bar. Workingtemperature max. 50°C. CTO-E inner diameter (b) 26 mm, outerdiameter (c) 72 mm. GAC-40 inner diameter (b) 26 mm, outerdiameter (c) 72 mm.	
CODE	MODEL	SIZE	MICRON
A4220050	CTO-E	10"	10 micron
A4220070		20"	10 micron
A4120030	CA-POST	10"	20 micron
A4120560	GAC-40		40 micron
P9020060	GAC IN-LINE		Aro triplex in-linepost carbon



A4220050
A4220070



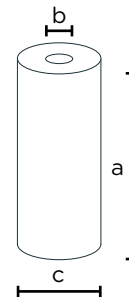
A4120560



A4120030

FLOW RATE (L/h)

MODEL	MICRON	10"	20"
CTO-E	10	240	450
GAC	40	228	456



EQUA ACTIVE CARBON CARTRIDGES		Economic series carbon filter cartridges. CT: Block carbon /GAC-40E: Granular carbon cartridge with filter / Post:Sweetener post carbon.	
CODE	MODEL	SIZE	MICRON
A4220074	CT BLOCK (Coal)	20"	10 micron
A4220075	CT BLOCK (Coal)		
A4120561	GAC-40 E	10"	40 micron
Y1124	Post		Venice in-line postcarbon-quickce in-line post karbon-quick



WATER TREATMENT DEVICES and ACCESSORIES



EQUA ACTIVE CARBON CARTRIDGES (CT AB SERIES)		Economical block carbon for Aqua Big (BIG BLUE) filter containers.	
CODE	MODEL	SIZE	MICRON
A4220110	CT-AB	10"	10 micron
A4220120		20"	10 micron



RESIN CARTRIDGE/SILIPHOS CARTRIDGE/HOLLOW TRANSPARENT CARTRIDGE		CP-PRE POST: Polyphosphate cartridge / RESIN: Resin cartridge in transparent cartridge / CV: Hollow transparent cartridge	
CODE	SIZE	SIZE	
RC1034	CV-Resin	10"	
A4130030	CP/PRE-POST		
A4110030	hollow		



RC1034



A4130030



A4110030

FILTER CARTRIDGE ACCESSORIES

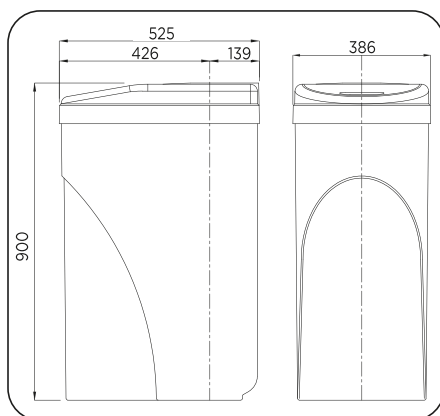
CARTRIDGE COUPLING	
CODE	MODEL - DESCRIPTION
A6010190	Universal cartridge coupling (FA-AC-CTO-E)
S4110180	CV cartridge coupling (CV-CA POST 20)
A6010200	RLA cartridge coupling



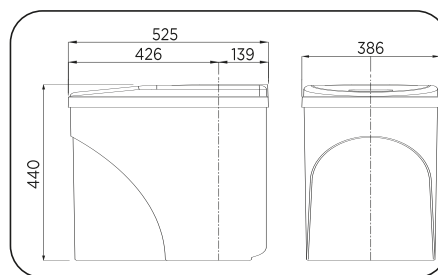
WATER TREATMENT DEVICES and ACCESSORIES

CABINETS

AQUA CABINETS		Injection molded. Non-toxic 100% polypropylene material. Stylish design. Resistant to stretching and breaking. Easy to disassemble and clean as the tanks do not remain in the cabinet and water.
CODE	MODEL	DESCRIPTION
A9700010	Aqua Sky Maxi	Aqua Sky Maxi cabinet (7x35, 8x35, 9x35, 10x35 mineral tank)
S9700010		Partition for Maxi cabinet
S9700030		Salt slot for Maxi cabinet
A9700020	Aqua Sky Mini	Aqua Sky Mini cabinet (7x17, 8x17, 9x17, 10x17 mineral tank)
S9700020		Partition for Mini cabinet
S9700040		Salt slot for Mini cabinet
A9990030	Aqua Sky Maxi / Mini	Mini 3/8" Salt suction union
A9990040		Maxi 3/8" Salt suction union
A9700000		Maxi / Mini Cover
S6070260		Funnel for resin filling
A9990180		Maxi / Mini Float



AQUA SKY MAXI



AQUA SKY MINI



S9700040
S9700030



S9700020
S9700010



S9990030
S9990040



A9700000



S6070260



A9990180

WATER TREATMENT DEVICES and ACCESSORIES



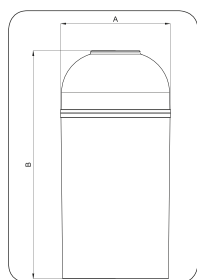
SALT TANKS		Salt tanks made of polyethylene material.
CODE	DESCRIPTION	
Y0113	Salt Tank	105 LT (in set)
Y0108		250 LT
Y0106		300 LT
Y0121		500 LT
Y0186		1000 LT

•Square salt set .



MINERAL TANKS AND ACCESSORIES

AQUA MINERAL TANKS		Made of 100% Polypropylene, non-toxic material. 0-12 bar test pressure. Max. working pressure 8 bar, max. working temperature 45°C. Ideal for domestic and commercial water softening with its slim elegant design. High chemical resistance, resistant to stretching and breaking			
CODE	TANK CAPACITY	MODEL	CONNECT ION	SIZE	DIMENSION a x b
A9610170	5,0	Aqua PP-PV	2" 1/2	7x13	189x333
A9610100	17,0			7x35	189x897
A9610010	10,0			8x17	208x433
A9610110	22,0			8x35	208x897
A9610050	15,0			10x17	265x433
A9610120	34,5			10x35	265x897
A9610330	55,0			10x54	265x1372
A9610470	85,0			13x54	335x1372



WATER TREATMENT DEVICES and ACCESSORIES

MINERAL TANKS		Fiberglass winding tank for industrial applications. Test pressure 10 bar.
CODE	MODEL	CONNECTION
Y0817	8x17	2" 1/2
Y0474	7x35	2" 1/2
Y0835	8x35	2" 1/2
Y0477	9x35	2" 1/2
Y1035	10x35	2" 1/2
Y1054	10x54	2" 1/2
Y1354	13x54	2" 1/2
Y1465	14x65	2" 1/2
Y1665	16x65	2" 1/2
Y1665W	16x65	4"
Y1865	18x65	2" 1/2
Y1865W	18x65	4"
Y2162	21x62	4"
Y2472	24x72	4"
Y3072	30x72	4" - 4"
Y3672	36x72	4" - 4"
Y4272	42x72	4" - 4"
Y4872	48x72	6" - 6"
Y6386	63x86	6" - 6"



- Bottom opening plugs are included in the price.
- Vacuum breaker is included in the price for 36-63''tanks.

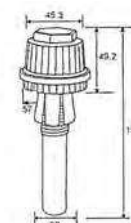
REDUCTION AND END CUP	Auxiliary accessories for fiberglass tanks.
CODE	DESCRIPTION
JD504	4"- 2,5" Reduction
Y0493	6" Flange - 4" Threaded Reducer
Y0022	4" Threaded End Cup
Y0490	6" End Cup with Flange



DIFFUSERS			
Octopus diffusers.			
CODE	MODEL	CONNECTION DIAMETER/TYPE	TANK TYPE
JD303	Top Mounting (With Valve) Tanks	2" 6 Sleeved	24" – 4" Threaded
JD304		2" 6 Sleeved	30" – 4" Threaded
JD305		2" 6 Sleeved	36" – 4" Threaded
JD404		3" 8 Sleeved	42" – 6" Flanged
JD405		3" 8 Sleeved	48" – 6" Flanged
JD416		3" 8 Sleeved	63" – 6" Flanged
JD417		3" 16 Sleeved	42" – 6" Flanged
JD412		3" 16 Sleeved	48" – 6" Flanged
JD413		3" 16 Sleeved	63" – 6" Flanged
JD312		Side Mounting (Surface Piping) Tanks	2" Top Diffuser
JD415	3" Top Diffuser		42" – 48" 6" Flanged
JD317	2" 6 Sleeved		30" – 4" Threaded
JD318	2" 6 Sleeved		36" – 4" Threaded
JD421	3" 8 Sleeved		42" – 6" Flanged
JD422	3" 8 Sleeved		48" – 6" Flanged
JD429	3" 16 Sleeved		42" – 6" Flanged
JD430	3" 16 Sleeved		48" – 6" Flanged



NOZZLE		
Mushroom type.		
CODE	DESCRIPTION	MATERIAL
Y0641	Mushroom Type Nozzle - Filter	PP
Y0642	Mushroom Type Nozzle - Softening	



VACUUM BREAKER	
Vacuum breakers for tanks of different sizes.	
CODE	DESCRIPTION
Y0643	Small Vacuum Breaker (8" - 18")
Y0319	Large Vacuum Breaker (18" - 48")



WATER TREATMENT DEVICES and ACCESSORIES

VALVES

MANUAL VALVE SET		100% PP injection manual valve.
CODE	MODEL	DESCRIPTION
AA010081	Manual Valve Set	Assembled with bottom diffuser, top diffuser, pipe and head, 3/4" F dual outlet



SEMI-AUTOMATIC VALVE SET		With manual lever rotation
CODE	CONNECTON	DESCRIPTION
YV5639	1"	Bottom, top diffuser and pipe included. Tank connection diameter 2,5"
Y0110	2"	Bottom, top diffuser and pipe included. Tank connection diameter 4"



MECHANICAL VALVE		Mechanical, timer valve. 5600 equivalent
CODE	MODEL	DESCRIPTION
YV5603	Filter - Timer	Filter valve
YV5602	Softening - Timer	Water softening valve



FULLY AUTOMATIC SOFTENING VALVE		Digital LED display, flow rate and time controlled, password protected, no adjustment required up to 72 hours in case of power outages. By-pass apparatus, top-bottom diffuser, diffuser pipe, salt suction float included. 1.5 - 6 bar working pressure. 5-50°C working temperature.	
CODE	CONNECTION	RECOMMENDED TANK SIZE	FLOW(Max) m³/h
Y1045	3/4" F	6"- 13"	2 m³/h
Y1046	1" F	6"- 18"	4 m³/h
YV5637	1 1/2" F	16"- 21"	7 m³/h
YV5611	2" F	16"- 30"	10 m³/h



• Prices include top and bottom diffusers, diffuser pipe.

HIGH FLOW RATE SOFTENING VALVE		Digital LED display, flow rate and time controlled, password protected, no adjustment required up to 72 hours in power outages. Top-bottom diffuser, diffuser pipe, salt suction float included. Portable panel. 1.5 - 6 bar working pressure. 5-50°C working temperature	
CODE	CONNECTION	RECOMMENDED TANK SIZE	FLOW (Max) m³/h
YV5607HF	2" F	24"- 36"	15 m³/h
YV5626HF	2" F	21"- 36"	18 m³/h
YV5624HF	2" F	30"- 48"	20 m³/h



• Prices include top and bottom diffusers, diffuser pipe.

WATER TREATMENT DEVICES and ACCESSORIES



FULLY AUTOMATIC FILTER VALVE		Digital LED display, time-controlled, password protected, no adjustment required for up to 72 hours in power outages. Top-bottom diffuser, diffuser pipe included. 1.5 - 6 bar working pressure. 5- 50°C working temperature.	
CODE	CONNECTION	RECOMMENDED TANK SIZE	FLOW (Max) m ³ /h
Y1047	3/4" F	6" - 13"	2 m ³ /h
Y1048	1" F	6" - 16"	4 m ³ /h
YV5638	1 1/2" F	16" - 21"	7 m ³ /h
YV5612	2" F	16" - 36"	10 m ³ /h



- Prices include top and bottom diffusers, diffuser pipe.

HIGH FLOW RATE FILTER VALVE		Digital LED display, flow rate and time controlled, password protected, no adjustment required up to 72 hours in power outages. Top-bottom diffuser, diffuser pipe included. 1.5 - 6 bar working pressure. 5- 50 °C working temperature.	
CODE	CONNECTION	RECOMMENDED TANK SIZE	FLOW (Max) m ³ /h
YV5680LF	2" F	24" - 36"	15 m ³ /h
YV5608HFL	2" F	16" - 36"	18 m ³ /h
YV5608HF	2" F	21" - 42"	20 m ³ /h

- Prices include top and bottom diffusers, diffuser pipe.



DIFFUSER AND COMPONENTS	
CODE	MODEL - DESCRIPTION
Y0011	Top Diffuser 3/4" - 1"
Y0131	Bottom Diffuser 3/4" - 1"
Y0111	Top Diffuser 2"
Y0120	Bottom Diffuser 2"
Y0171	Diffuser Pipe 3/4" 1800mm
Y0114	Diffuser Pipe 2" 1800mm
YV5619	Ceramic Softening Float 3/4" - 1"
YV5628	Ceramic Softening Float 2"



WATER TREATMENT DEVICES and ACCESSORIES

MINERALS AND CHEMICALS

MINERALS		Unit prices.
CODE	DESCRIPTION	PACKAGING
YReçine01	Equa Cationic Resin	25 LT.
YReçine04	Purolite Mixbed Resin	25 LT.
YC10010	Granular Active Carbon / Coco based	25 KG
YC10012	Granular Active Carbon / Coal based	25 KG
Y00301	Anthracite	35 LT
Y0017	Birm	28,3 LT
Y1093	Arsenic-Iron-Manganese Removal Mineral	50 kg
Y0151	Dolomite - Economical	25 KG
Y0050	Dolomite - Europe	25 KG



QUARTZ		Washed and dried Quartz. Unit price.
CODE	DESCRIPTION	PACKAGING
KuvarsKum	Quartz 0,5 - 1,2mm	25 KG
KuvarsKum01	Quartz 1 - 3mm	25 KG
KuvarsKum02	Quartz 3 - 5mm	25 KG
KuvarsKum03	Quartz 5 - 8mm	25 KG



SALT		Unit price.
CODE	DESCRIPTION	PACKAGING
PC.4.17.03	Tablet Salt	25 KG



POLYPHOSPHATE		Unit prices. For lime (Siliphos).
CODE	DESCRIPTION	PACKAGING
MC020120	Aqua Polyphosphate Salt	20 KG
MC020170	Aqua Polyphosphate Salt (Salvalavatrice)	20 KG



CHEMICALS		Unit prices.	
CODE	CHEMICAL	DESCRIPTION	PACKAGING
PC.4.06.05	Liquid Chlorine 14 - 16	Disinfection	37 KG
PC.1.02.16	Sodium Hydroxide (Caustic) NaOH30 - 32	pH Booster	25 KG
PC.1.02.15	Acid (HCL), hydrochloric acid 30 - 32	pH Reducer	35 KG
PC.2.01.01	Sodium Metabilsulfite (SBMS)	Chlorine Removal	25 KG
PC.1.02.14	Citric Acid (Powder)	Acidic RO Wash	25 KG
PC.1.02.19	Edta (Powder) German	Basic RO Wash	25 KG



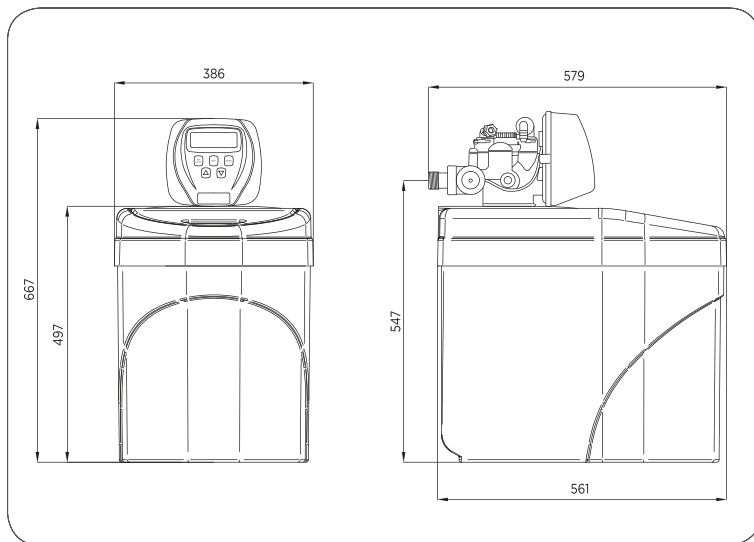
ANTISCALANT		Unit prices.	
CODE	DESCRIPTION	DESCRIPTION	PACKAGING
Y0058	Antiscalant (membrane protection chemical for general use)		25 KG
Y0988	Antiscalant High Silica		25 KG
Y0817	Antiscalant Sea Water		25 KG



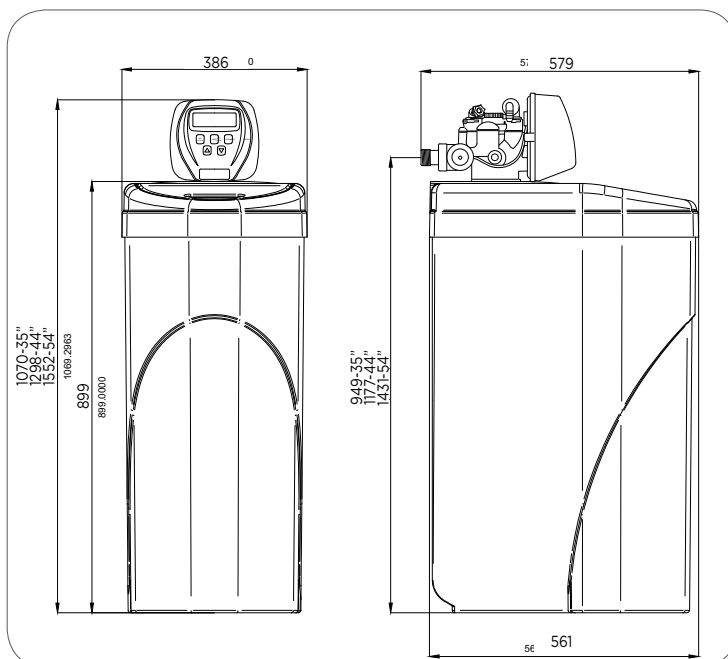
WATER TREATMENT DEVICES and ACCESSORIES

DOMESTIC SOFTENING DEVICES

WATER SOFTENING DEVICE LUXURY		Digital controlled valve. Softening valve 3/4" Ceramic. Flow rate and time controlled. Password protection. Resin filled Aqua tank. Aqua cabinet. Aqua inlet filter housing and cartridge filterready for installation.
CODE	MODEL	DESCRIPTION
YAQS817M	MINI LUX	Water Softening Mini - M 8x17 Aqua Tank, 8 Lt Resin Capacity
YAQS1035M	MAXI LUX	Water Softening Maxi - M 10x35 Aqua Tank, 25 Lt Resin Capacity



MINI LUX



MAXI LUX



Stylish Design



Ergonomic design

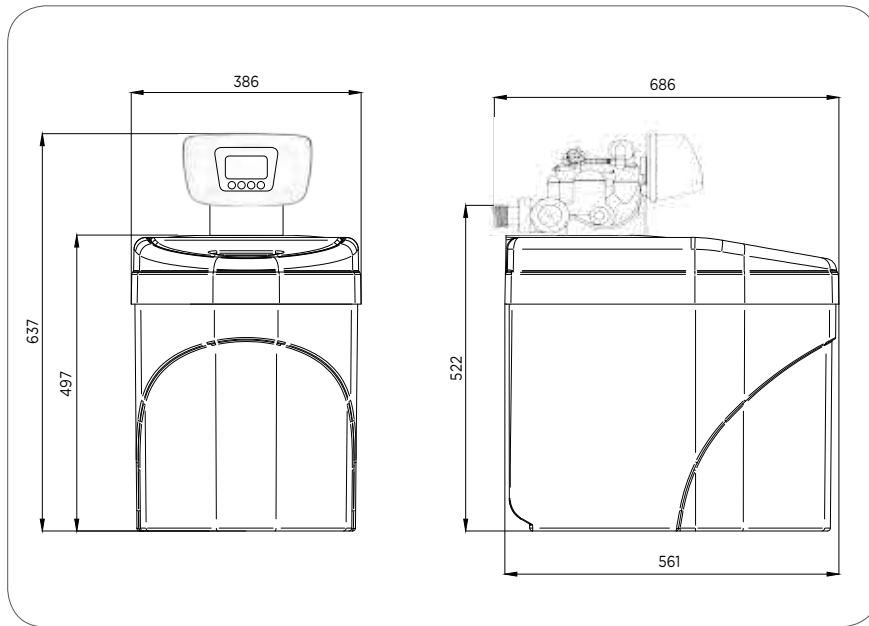


• Including

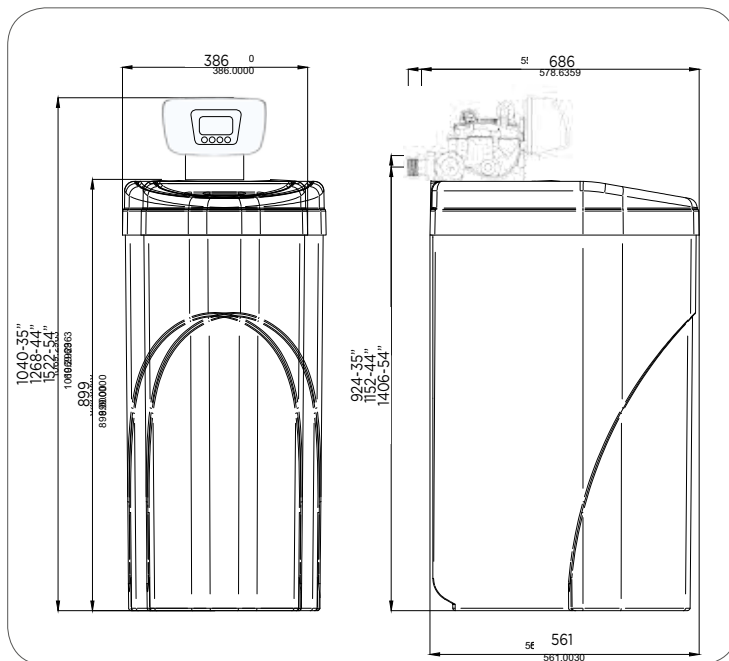
WATER TREATMENT DEVICES and ACCESSORIES



WATER SOFTENING DEVICE MECHANICAL		Mechanical time-controlled valve. Resin-filled Aqua tank. Aqua cabinet. Aqua partition.
CODE	MODEL	DESCRIPTION
YAQS817E	MINI IDEA	Water softening Mini - E 8x17 Aqua Tank, 8 lt Resin Capacity
YAQS1035E	MAXI IDEA	Water softening Maxi - E 10x35 Aqua Tank, 25 lt Resin Capacity



MINI IDEA



MAXI IDEA



WATER TREATMENT DEVICES and ACCESSORIES

INDUSTRIAL FILTER AND SOFTENING SYSTEMS

VALVE SYSTEMS

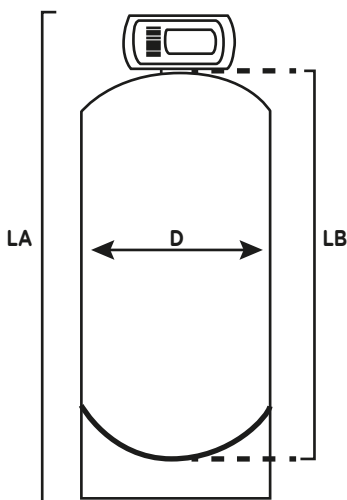
SAND FILTERS (WITH AQUA TANK)		100% PP Injection with AQUA tanks								
CODE	TANK SIZE	DEVICE CONNEX. DIAMETER	SERVICE FLOW RATE m ³ /h			DIMENSIONS (cm)			ANTHRACITE (L)	QUARTZ (kg)
			10 m/h	20 m/h	30 m/h	LA	LB	D		
AQF817B	8" x 17"	3/4"	0,30	0,60	0,95	58	43	20	4	3
AQF735B	7" x 35"	3/4"	0,25	0,50	0,70	104	89	18	6	6
AQF835B	8" x 35"	3/4"	0,30	0,65	0,90	104	89	20	8	7
AQF1035B	10" x 35"	3/4"	0,50	1,00	1,50	104	89	25	10	13
AQF1054B	10" x 54"	3/4"	0,50	1,00	1,50	153	137	25	15	19
AQF1354B	13" x 54"	1"	0,85	1,75	2,50	153	137	33	35	50

INTENDED USE:

> It is used for sediment, suspended solids, turbidity, solid matter filtration of raw water and to filter sediment above 50 microns.

WORKING PRINCIPLE:

- > Thanks to the fully automatic valve, it backwashes itself without the need for human intervention
- > Ceramic piston digital valves are preferred as valves in the filters made using injection molded 100% polypropylene tanks manufactured by Aqua.
- > In multiple tank applications, the valves in the system do not enter the wash at the same time. Since they do not enter washing at the same time, they provide uninterrupted water flow.
- > Working pressure: 2-7 bar, Working temperature: 4-50°C, Power Supply: 220V/12V, 50Hz.
- > Time controlled washing.



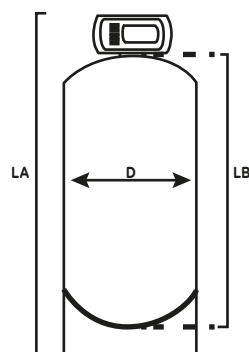
SAND FILTER (WITH FRP TANK)		With EQUA FRP tank.								
CODE	TANK SIZE	DEVICE CONNEX. DIAMETER	SERVICE FLOW RATE m ³ /h			DIMENSIONS (cm)			ANTHRACITE (L)	QUARTZ (kg)
			10 m/h	20 m/h	30 m/h	LA	LB	D		
AQF817	8" x 17"	3/4"	0,30	0,60	0,95	58	43	20	4	3
AQF735	7" x 35"	3/4"	0,25	0,50	0,70	104	89	18	6	6
AQF835	8" x 35"	3/4"	0,30	0,65	0,90	104	89	20	8	7
AQF935	9" x 35"	3/4"	0,40	0,80	1,20	104	89	25	8	18
AQF1035	10" x 35"	3/4"	0,50	1,00	1,50	104	89	25	10	20
AQF1054	10" x 54"	3/4"	0,50	1,00	1,50	153	137	25	15	35
AQF1354	13" x 54"	1"	0,85	1,75	2,50	153	137	33	25	60
AQF1465	14" x 65"	1"	1,00	2,00	3,00	181	165	36	35	75
AQF1665	16" x 65"	1"	1,25	2,50	3,50	181	165	41	50	100
AQF16652	16" x 65"	1 1/2"	1,25	2,50	3,50	181	165	41	50	100
AQF1865	18" x 65"	1"	1,60	3,50	4,00	187	165	46	70	125
AQF18652	18" x 65"	1 1/2"	1,60	3,50	4,00	187	165	46	70	125
AQF21622	21" x 62"	1 1/2"	2,25	4,50	6,00	182	152	53	70	175
AQF2162	21" x 62"	2"	2,25	4,50	6,00	182	152	53	105	175
AQF2472	24" x 72"	2"	3,00	6,00	9,00	235	183	61	105	250
AQF3072	30" x 72"	2"	4,50	9,00	11,00	235	183	76	140	450
AQF3672	36" x 72"	2"	7,00	14,00	18,00	235	183	92	175	650
AQF4272	42" x 72"	2"	9,00	18,00	20,00	247	183	105	210	775
AQF4872	48" x 72"	2"	11,00	23,00	35,00	247	183	121	280	825

INTENDED USE:

- > It is used for sediment, suspended solids, turbidity, solid matter filtration of raw water
- > and to filter sediment above 50 microns.

WORKING PRINCIPLE:

- > Thanks to the fully automatic valve, it backwashes itself without the need for human intervention.
- > Ceramic piston digital valves are preferred as valves in filters and EQUA FRP tanks are used
- > In multiple tank applications, the valves in the system do not wash at the same time. Since they do not enter washing at the same time, they provide uninterrupted water flow.
- > Working pressure: 2-7 bar, Working temperature: 4-50 °C, Power Supply: 220V/12V, 50Hz.
- > Time controlled washing.
- > The bottom collection structure or filters using 2" valves is octopus diffuser.



WATER TREATMENT DEVICES and ACCESSORIES

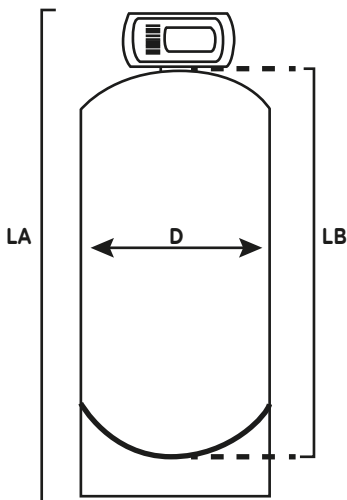
CARBON FILTER (WITH AQUA TANK)		100% PP Injection with AQUA tanks.								
CODE	TANK SIZE	DEVICE CONNEX. DIAMETER	SERVICE FLOW RATE m ³ /h			DIMENSIONS (cm)			CARBON (kg)	QUARTZ (kg)
			10 m/h	20 m/h	30 m/h	LA	LB	D		
AQC817B	8" x 17"	3/4"	0,30	0,60	0,95	58	43	20	3	0
AQC735B	7" x 35"	3/4"	0,25	0,50	0,70	104	89	18	4	0
AQC835B	8" x 35"	3/4"	0,30	0,65	0,90	104	89	20	8	0
AQC1035B	10" x 35"	3/4"	0,50	1,00	1,50	104	89	25	15	0
AQC1054B	10" x 54"	3/4"	0,50	1,00	1,50	153	137	25	25	0
AQC1354B	13" x 54"	1"	0,85	1,75	2,50	153	137	33	35	15

INTENDED USE:

- > It is used in physicochemical treatment of many pollutants such as odor, taste, free chlorine, pesticides, organic matter, color.

WORKING PRINCIPLE:

- > Thanks to the fully automatic valve, it backwashes itself without the need for human intervention.
- > Ceramic piston digital valves are preferred as valves in the filters made using injection molded 100% polypropylene tanks manufactured by Aqua.
- > In multiple tank applications, the valves in the system do not enter the wash at the same time. Since they do not enter washing at the same time, they provide uninterrupted water flow.
- > Working pressure: 2-7 bar, Working temperature: 4-50°C, Power Supply: 220V/12V, 50Hz.
- > Time controlled washing.



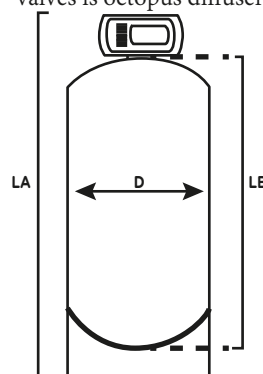
CARBON FILTER (WITH FRP TANK)		With EQUA FRP tank.								
CODE	TANK SIZE	DEVICE CONNEC. DIAMETER	SERVICE FLOW RATE m ³ /h			DIMENSIONS (cm)			CARBON (kg)	QUARTZ (kg)
			10 m/h	20 m/h	30 m/h	LA	LB	D		
AQC817	8" x 17"	3/4"	0,30	0,60	0,95	58	43	20	2	0
AQC735	7" x 35"	3/4"	0,25	0,50	0,70	104	89	18	3	0
AQC835	8" x 35"	3/4"	0,30	0,65	0,90	104	89	20	4	0
AQC935	9" x 35"	3/4"	0,40	0,80	1,20	104	89	25	8	0
AQC1035	10" x 35"	3/4"	0,50	1,00	1,50	104	89	25	15	0
AQC1054	10" x 54"	3/4"	0,50	1,00	1,50	153	137	25	25	25
AQC1354	13" x 54"	1"	0,85	1,75	2,50	153	137	33	50	25
AQC1465	14" x 65"	1"	1,00	2,00	3,00	181	165	36	50	25
AQC1665	16" x 65"	1"	1,25	2,50	3,50	181	165	41	50	50
AQC16652	16" x 65"	1 1/2"	1,25	2,50	3,50	181	165	41	50	50
AQC1865	18" x 65"	1"	1,60	3,50	4,00	187	165	46	75	50
AQC18652	18" x 65"	1 1/2"	1,60	3,50	4,00	187	165	46	75	50
AQC21622	21" x 62"	1 1/2"	2,25	4,50	6,00	182	152	53	100	100
AQC2162	21" x 62"	2"	2,25	4,50	6,00	182	152	53	100	100
AQC2472	24" x 72"	2"	3,00	6,00	9,00	235	183	61	125	100
AQC3072	30" x 72"	2"	4,50	9,00	11,00	235	183	76	200	150
AQC3672	36" x 72"	2"	7,00	14,00	18,00	235	183	92	300	200
AQC4272	42" x 72"	2"	9,00	18,00	20,00	247	183	105	450	450
AQC4872	48" x 72"	2"	11,00	23,00	35,00	247	183	121	500	475

INTENDED USE:

> It is used in physicochemical treatment of many pollutants such as odor, taste, free chlorine, pesticides, organic matter, color

WORKING PRINCIPLE:

- > Thanks to its fully automatic valve, it backwashes itself without the need for human intervention.
- > Ceramic piston digital valves are preferred as valves in filters and EQUA FRP tanks are used.
- > In multiple tank applications, the valves in the system do not enter the washing at the same time. Since they do not enter washing at the same time, they provide uninterrupted water flow.
- > Working pressure: 2-7 bar, Working temperature: 4-50°C, Power Supply: 220V/12V, 50Hz.
- > Time controlled washing.
- > The bottom collection structure for filters using 2" valves is octopus diffuser



WATER TREATMENT DEVICES and ACCESSORIES

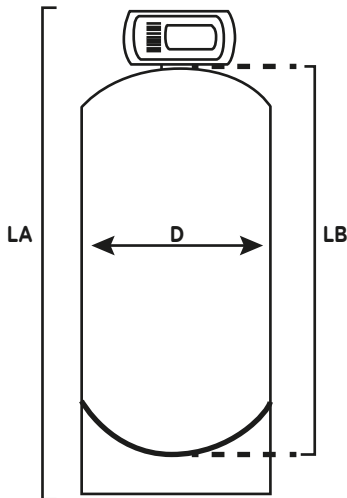
WATER SOFTENING (WITH AQUA TANK)		100% PP Injection with AQUA tank.									
CODE	TANK SIZE	DEVICE CONNEX. DIAMETER	SERVICE FLOW RATE m ³ /h			DIMENSIONS (cm)			RESIN (L)	QUARTZ SAND (kg)	SALT TANKS (L)
			10 m/h	20 m/h	30 m/h	LA	LB	D			
AQS817B	8"x 17"	3/4"	0,30	0,60	0,95	58	43	20	8	0	105
AQS735B	7"x 35"	3/4"	0,25	0,50	0,70	104	89	18	14	0	105
AQS835B	8"x 35"	3/4"	0,30	0,65	0,90	104	89	20	18	0	105
AQS1035B	10"x 35"	3/4"	0,50	1,00	1,50	104	89	25	25	0	105
AQS1054B	10"x 54"	3/4"	0,50	1,00	1,50	153	137	25	50	10	105
AQS1354B	13"x 54"	1"	0,85	1,75	2,50	153	137	33	75	15	105

INTENDED USE:

- > It is used to remove lime and hardness-forming substances from water.

WORKING PRINCIPLE:

- > Thanks to the fully automatic valve, it backwashes itself without the need for human intervention.
- > In the filters made using injection molded 100% polypropylene tanks manufactured by Aqua, ceramic piston digital valves are preferred as valves, resin is EQUA brand.
- > In multiple tank applications, the valves in the system do not enter the washing at the same time. Since they do not enter washing at the same time, they provide uninterrupted water flow.
- > Working pressure: 2-7 bar, Working temperature: 4-50°C, Power Supply: 220V/12V, 50Hz.
- > Both time-controlled and volumetric washing can be done with the same valve.



EQUA AUTOMATIC WATER SOFTENING SYSTEMS (WITH FRP TANK)

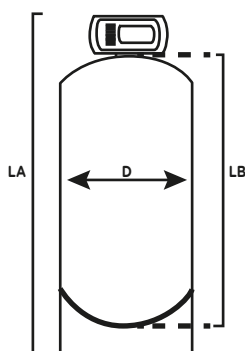
WATER SOFTENING (WITH EQUA TANK)		100% PP Injection with EQUA FRP tank.									
CODE	TANK SIZE	DEVICE CONNEX. DIAMETER	SERVICE FLOW RATE m ³ /h			DIMENSIONS (cm)			RESIN (L)	QUARTZ SAND (kg)	SALT TANKS (L)
			10 m/h	20 m/h	30 m/h	LA	LB	D			
AQS817	8" x 17"	3/4"	0,30	0,60	0,95	58	43	20	8	0	105
AQS735	7" x 35"	3/4"	0,25	0,50	0,70	104	89	18	15	0	105
AQS835	8" x 35"	3/4"	0,30	0,65	0,90	104	89	20	20	0	105
AQS935	9" x 35"	3/4"	0,40	0,80	1,20	104	89	25	25	0	105
AQS1035	10" x 35"	3/4"	0,50	1,00	1,50	104	89	25	25	0	105
AQS1054	10" x 54"	3/4"	0,50	1,00	1,50	153	137	25	50	10	105
AQS1354	13" x 54"	1"	0,85	1,75	2,50	153	137	33	75	15	105
AQS1465	14" x 65"	1"	1,00	2,00	3,00	181	165	36	100	25	105
AQS1665	16" x 65"	1"	1,25	2,50	3,50	181	165	41	150	25	250
AQS16652	16" x 65"	1 1/2"	1,25	2,50	3,50	181	165	41	150	25	250
AQS1865	18" x 65"	1"	1,60	3,50	4,00	187	165	46	200	25	250
AQS18652	18" x 65"	1 1/2"	1,60	3,50	4,00	187	165	46	200	25	250
AQS21622	21" x 62"	1 1/2"	2,25	4,50	6,00	182	152	53	250	50	300
AQS2162	21" x 62"	2"	2,25	4,50	6,00	182	152	53	250	50	300
AQS2472	24" x 72"	2"	3,00	6,00	9,00	235	183	61	300	50	300
AQS3072	30" x 72"	2"	4,50	10,00	12,00	235	183	76	500	75	500
AQS3672	36" x 72"	2"	7,00	12,00	13,00	235	183	92	750	150	1.000
AQS4272	42" x 72"	2"	9,00	20,00	21,00	247	183	105	900	250	1.000
AQS4872	48" x 72"	2"	13,00	25,00	42,00	247	183	121	1200	350	2.000

INTENDED USE:

- > It is used to remove lime and hardness-forming substances from water.

WORKING PRINCIPLE:

- > Thanks to the fully automatic valve, it backwashes itself without the need for human intervention.
- > Ceramic piston digital valves are preferred as valves in filters made using EQUA manufactured FRP tanks, resin is EQUA brand.
- > In multiple tank applications, the valves in the system do not wash at the same time. Since they do not enter washing at the same time, they provide uninterrupted water flow.
- > Working pressure: 2-7 bar, Working temperature: 4-50 °C, Power Supply: 220V/12V, 50Hz.
- > Both time-controlled and volumetric washing can be done with the same valve.
- > The bottom collection structure for filters using 2" valve is octopus diffuser.



WATER TREATMENT DEVICES and ACCESSORIES

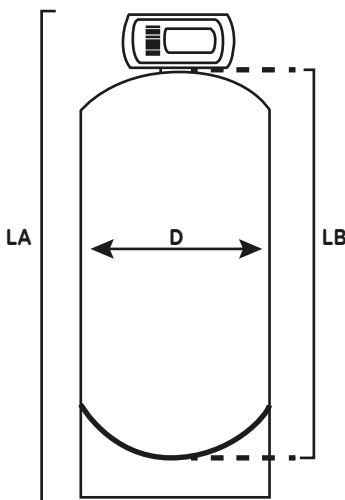
DUPLEX WATER SOFTENING FILTER (WITH AQUA TANK)			100% PP Injection with AQUA tank.								
CODE	TANK SIZE	DEVICE CONNEX. DIAMETER	SERVICE FLOW RATE m ³ /h			DIMENSIONS (cm)			QUARTZ SAND (kg)	RESIN (L)	SALT TANKS (L)
			10 m/h	20 m/h	30 m/h	LA	LB	D			
AQST817B	8" x 17"	3/4"	0,30	0,60	0,95	58	43	20	0	16	105
AQST735B	7" x 35"	3/4"	0,25	0,50	0,70	104	89	18	0	28	105
AQST835B	8" x 35"	3/4"	0,30	0,65	0,90	104	89	20	0	36	105
AQST1035B	10" x 35"	3/4"	0,50	1,00	1,50	104	89	25	0	56	105
AQST1054B	10" x 54"	3/4"	0,50	1,00	1,50	153	137	25	10	96	105
AQST1354B	13" x 54"	1"	0,85	1,75	2,50	153	137	33	25	150	105

INTENDED USE:

> These are softening systems used to remove lime from the water, preferred when uninterrupted water production or redundancy of filters is desired.

WORKING PRINCIPLE:

- > Thanks to its fully automatic valve system, it performs backwash itself without the need for human intervention.
- > In the filters made by using injection molded 100% polypropylene tanks manufactured by Aqua, ceramic piston digital valves are preferred as valves, resin is EQUA brand.
- > In multi-tank applications, the valves in the system do not wash at the same time. Since they do not enter flushing at the same time, they provide uninterrupted water flow.
- > Working pressure: 2-7 bar, Working temperature: 4-50 °C, Power Supply: 220V/12V, 50Hz.
- > Both time-controlled and volumetric flushing can be done with the same valve.



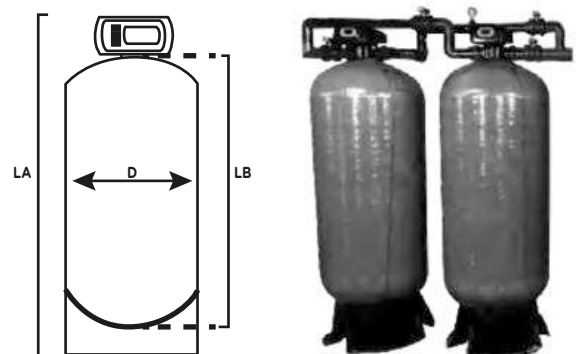
DUPLEX WATER SOFTENING FILTER (WITH FRP TANK)			EQUA with FRP tank.								
CODE	TANK SIZE	DEVICE CONNEX. DIAMETER	SERVICE FLOW RATE m ³ /h			DIMENSIONS (cm)			RESIN (L)	QUARTZ SAND (kg)	SALT TANK (L)
			10 m/h	20 m/h	30 m/h	LA	LB	D			
AQST817	8" x 17"	3/4"	0,30	0,60	0,95	58	43	20	8 x 2	0 x 2	105
AQST735	7" x 35"	3/4"	0,25	0,50	0,70	104	89	18	15 x 2	0 x 2	105
AQST835	8" x 35"	3/4"	0,30	0,65	0,90	104	89	20	20 x 2	0 x 2	105
AQST935	9" x 35"	3/4"	0,40	0,80	1,20	104	89	25	25 x 2	0 x 2	105
AQST1035	10" x 35"	3/4"	0,50	1,00	1,50	104	89	25	30 x 2	0 x 2	105
AQST1054	10" x 54"	3/4"	0,50	1,00	1,50	153	137	25	50 x 2	10 x 2	105
AQST1354	13" x 54"	1"	0,85	1,75	2,50	153	137	33	75 x 2	12,5 x 2	105
AQST1465	14" x 65"	1"	1,00	2,00	3,00	181	165	36	100 x 2	25 x 2	105
AQST1665	16" x 65"	1"	1,25	2,50	3,50	181	165	41	150 x 2	25 x 2	250
AQST16652	16" x 65"	1 1/2"	1,25	2,50	3,50	181	165	41	150 x 2	25 x 2	250
AQST1865	18" x 65"	1"	1,60	3,50	4,00	187	165	46	200 x 2	25 x 2	300
AQST18652	18" x 65"	1 1/2"	1,60	3,50	4,00	187	165	46	200 x 2	25 x 2	300
AQST21622	21" x 62"	1 1/2"	2,25	4,50	6,00	182	152	53	250 x 2	50 x 2	500
AQST2162	21" x 62"	2"	2,25	4,50	6,00	182	152	53	250 x 2	50 x 2	500
AQST2472	24" x 72"	2"	3,00	6,00	9,00	235	183	61	300 x 2	50 x 2	500
AQST3072	30" x 72"	2"	4,50	9,00	11,00	235	183	76	500 x 2	75 x 2	1.000
AQST3672	36" x 72"	2"	7,00	14,00	18,00	235	183	92	750 x 2	150 x 2	2.000
AQST4272	42" x 72"	2"	9,00	18,00	20,00	247	183	105	900 x 2	250 x 2	2.000
AQST4872	48" x 72"	2"	13,00	25,00	42,00	247	183	121	1200x2	350 x 2	4.000

INTENDED USE:

> These are softening systems used to remove limescale from water and are preferred when uninterrupted water production or redundancy of filters is required.

WORKING PRINCIPLE:

- > Thanks to its fully automatic valve system, it performs backwash itself without the need for human intervention.
- > Ceramic piston digital valves are preferred as valves in filters and EQUA FRP tanks are used, resin is EQUA brand.
- > In multi-tank applications, the valves in the system do not wash at the same time. Since they do not enter flushing at the same time, they provide uninterrupted water flow.
- > Working pressure: 2-7 bar, Working temperature: 4-50 °C, Power Supply: 220V/12V, 50Hz.
- > Both time-controlled and volumetric washing can be done with the same valve.
- > For filters using 2" valves, the lower collection structure is a six-arm diffuser.



WATER TREATMENT DEVICES and ACCESSORIES

SURFACE PIPING SYSTEMS

SAND FILTER (WITH FRP TANK)			EQUA FRP tank				
CODE	MODEL	TANK SIZE (R x h) mm	DEVICE CONNEX. DIAMETER	SERVICE FLOW m ³ /h		ANTHRACITE (L)	QUARTZ (kg)
				20 m/h	30 m/h		
AFF3672	AFF36	975X2150	50-50	13	20	175	650
AFF4272	AFF42	1075X2400	65-65	18	27	210	775
AFF4872	AFF48	1225X2400	65-65	23	35	315	1.125

INTENDED USE:

- > It is used for sediment, suspended solids, turbidity, solids filtration of raw water and to filter sediment above 50 microns.

WORKING PRINCIPLE:

- > Extra washed quartz sand with special arrangement in various sizes.
- > Thanks to its fully automatic valve system, it performs backwash itself without the need for human intervention.
- > Time controlled backwash.
- > Working pressure: 2-7 bar, Working temperature: 4-50°C, Power Supply: 220V, 50Hz.

STANDARD FEATURES

- > With Equa FRP Tank
- > 220 V electric actuator butterfly valve
- > Maximum working pressure of 6 bar
- > U-PVC surface pipin

SAND FILTER (WITH ST-37 TANK)			Epoxy painted ST-37 tank				
CODE	MODEL	TANK SIZE (Rxh) mm	DEVICE CONNEX. DIAMETER	SERVICE FLOW m ³ /h		ANTHRACITE (L)	QUARTZ (kg)
				20 m/h	30 m/h		
AF1200	AF12	1250 x 2790	65	25	37	350	1.375
AF1600	AF16	1600 x 3020	80	40	60	595	2.375
AF2000	AF20	2000 x 3250	100	63	94	805	3.150
AF2400	AF24	2400 x 3400	125	91	136	1.155	4.525
AF2800	AF28	2800 x 3750	150	123	185	1.575	6.200

INTENDED USE:

- > It is used for sediment, suspended solids, turbidity, solids filtration of raw water and to filter sediment above 50 microns

WORKING PRINCIPLE:

- > Galvanized piping.
- > With extra washed quartz sand and special arrangement in various sizes.
- > Thanks to its fully automatic valve system, it performs backwash itself without the need for human intervention.
- > Epoxy painted, carbon steel tank.
- > Time controlled backwash.
- > Electric actuated butterfly valves.
- > Working pressure: 2-7 bar, Working temperature: 4-50°C, Power Supply: 220V, 50Hz.



WATER TREATMENT DEVICES and ACCESSORIES

CARBON FILTER (WITH FRP TANK)			EQUA FRP tank ile.				
CODE	MODEL	TANK SIZE (R x h) mm	DEVICE CONNEX. DIAMETER	SERVICE FLOW m ³ /h		ANTHRACITE (L)	QUARTZ (kg)
				20 m/h	30 m/h		
AFC3672	AFC36	975X2150	50-50	13	20	225	325
AFC4272	AFC42	1075X2400	65-65	18	27	275	400
AFC4872	AFC48	1225X2400	65-65	23	35	400	550

INTENDED USE:

- > It is used in physico-chemical treatment of many pollutants such as odor, taste, free chlorine, pesticides, organic matter, color.

WORKING PRINCIPLE:

- > With extra washed quartz sand and special arrangement in various sizes.
- > Thanks to its fully automatic valve system, it performs backwash itself without the need for human intervention.
- > Time controlled backwash.
- > With EQUA FRP tank in combination with EQUA brand activated carbon.
- > Working pressure: 2-7 bar, Working temperature: 4-50 °C, Power Supply: 220V, 50Hz

CARBON FILTER (WITH ST-37 TANK)			With epoxy-painted ST-37 tank.				
CODE	MODEL	TANK SIZE (R x h) mm	DEVICE CONNEX. DIAMETER	SERVICE FLOW m ³ /h		CARBON (kg)	QUARTZ (kg)
				20 m/h	30 m/h		
AC1200	AC12	1250 x 2790	65	25	37	475	600
AC1600	AC16	1600 x 3020	80	40	60	850	1.150
AC2000	AC20	2000 x 3250	100	63	94	1.500	500
AC2400	AC24	2400 x 3400	125	91	136	2.175	725
AC2800	AC28	2800 x 3750	150	123	185	2.950	975

INTENDED USE:

- > It is used in physico-chemical treatment of many pollutants such as odor, taste, free chlorine, pesticides, organic matter, color.

WORKING PRINCIPLE:

- > Galvanized piping.
- > Thanks to its fully automatic valve system, it performs backwash itself without the need for human intervention.
- > Epoxy painted, carbon steel tank.
- > Time controlled backwash.
- > Electric actuated butterfly valves.
- > Working pressure: 2-7 Bar, Working temperature: 4-50 °C, Power Supply: 220V, 50Hz.
- > With EQUA brand activated carbon.
- > With extra washed quartz sand and special arrangement in various sizes.



WATER TREATMENT DEVICES and ACCESSORIES

WATER SOFTENING (WITH FRP TANK)			EQUA FRP tank.			
CODE	MODEL	TANK SIZE (Rxh) mm	DEVICE CONNEC. DIAMETER (SERVICEDRAINAG E-SALT SUCTION)	SERVICE FLOW m3/h	RESIN (L)	QUARTZ (kg)
AQSF3672	AQS36	975x2150	65-50-25	30	750	200
AQSF4272	AQS42	1075x2400	65-50-25	36	900	225
AQSF4872	AQS48	1225x2400	80-50-40	48	2.200	560

INTENDED USE:

- > It is used for the treatment of lime in water, substances that cause hardness.

WORKING PRINCIPLE:

- > With extra washed quartz sand and special arrangement in various sizes.
- > Thanks to its fully automatic valve system, it performs backwash itself without the need for human intervention.
- > Time controlled backwash.
- > With EQUA FRP tank with EQUA brand softening resin.
- > Working pressure: 2-7 bar, Working temperature: 4-50 °C, Power Supply: 220V, 50Hz



WATER SOFTENING (WITH ST-37 TANK)			With epoxy-painted ST-37 tank.			
CODE	MODEL	TANK SIZE (Rxh) mm	DEVICE CONNEX. DIAMETER (SERVICEDRAINAGE E-SALT SUCTION)	SERVICE FLOW m ³ /h	RESIN (L)	QUARTZ (kg)
AS1200	AS12	1250 x 3120	80-50-40	50	1.800	200
AS1600	AS16	1600 x 3350	100-80-50	85	2.800	300
AS2000	AS20	2000 x 3550	125-80-50	135	4.400	500
AS2400	AS24	2400 x 3750	150-100-80	180	6.300	700

INTENDED USE:

- > It is used for the treatment of lime in water, substances that cause hardness.

WORKING PRINCIPLE:

- > Optional.
- > Thanks to its fully automatic valve system, it performs backwash itself without the need for human intervention.
- > Epoxy painted, carbon steel tank.
- > Flow controlled regeneration.
- > Electric actuated butterfly valves.
- > Working pressure: 2-7 Bar, Working temperature: 4-50°C, Power Supply: 220V, 50Hz.
- > With EQUA brand softening resin.
- > 1 liter of resin is regenerated with 140 gr salt.
- > Resin capacity 6000 Fr/lit is accepted.
- > With extra washed quartz sand and special arrangement in various sizes.
- > Galvanized piping, inner surface coated with CTP.



WATER TREATMENT DEVICES and ACCESSORIES

DUPLEX WATER SOFTENING (WITH ST-37 TANK)			With epoxy-painted ST-37 tank.			
CODE	MODEL	TANK SIZE (R x h) mm	DEVICE CONNec. DIAMETER (SERVICE DRAINAGE E-SALT SUCTION)	SERVICE FLOW m ³ /h	RESIN (L)	QUARTZ (kg)
AST1200	AST12	1250 x 3120	80-50-40	50	3.600	400
AST1600	AST16	1600 x 3350	100-80-50	85	5.600	600
AST2000	AST20	2000 x 3550	125-80-50	135	8.800	1.000
AST2400	AST24	2400 x 3750	150-100-80	180	12.600	1.400

INTENDED USE:

- > It is used for the treatment of lime in water, substances that cause hardness.

WORKING PRINCIPLE:

- > Optional.
- > Thanks to its fully automatic valve system, it performs backwash itself without the need for human intervention.
- > Epoxy painted, carbon steel tank.
- > Flow controlled regeneration.
- > Electric actuated butterfly valves.
- > Working pressure: 2-7 bar, Working temperature: 4 -50°C, Power Supply: 220V, 50Hz.
- > With EQUA brand softening resin.
- > 1 liter of resin is regenerated with 140 gr salt.
- > Resin capacity 6000 Fr/lit is accepted.
- > With extra washed quartz sand and special arrangement in various sizes.
- > Galvanized piping, inner surface coated with CTP.



REVERSE OSMOSIS SYSTEM and PARTS

EQUA PICCOLA		Led display (conductivity, electrical voltage value, low-high pressure, tank full-empty monitoring). ON/OFF button. Password protected. 40x40" membrane. FRP membrane cover. Chassis ST37 oven painted. Single- phase and three-phase motor option. 3 manometers. Production and waste flow meters. Waste adjustment valve. Aqua level floater. Online low pressure switch. Dosing pump outlet. Aqua outlet conductivity meter. AUTOFLUSH and adjustable flush time. 10.000 micro siemens and optional temperature probe.			
CODE	MODEL	CAPACITY (m ³ /gün)	MEMBRANE NUMBER	EFFICIENCY (%)	MOTOR POWER
A90205AR	Piccola 5E	5	1	50	0,64
A90210AR	Piccola 10E	10	2	50	0,64
A90205ARD	Piccola 5	5	1	60	1,50
A90210ARD	Piccola 10	10	2	60	1,50
A90215ARD	Piccola 15	15	3	60	1,50
A90220ARD	Piccola 20	20	4	60	2,20
A90225ARD	Piccola 25	25	5	60	1,50
A90230ARD	Piccola 30	30	6	60	2,20
A90240ARD	Piccola 40	40	8	60	2,20
A90245ARD	Piccola 45	45	9	60	2,20
A90250ARD	Piccola 50	50	10	60	3,00
A90260ARD	Piccola 60	60	12	60	3,00
A90275ARD	Piccola 75	75	15	60	3,00
A902KP	Optional K/P System	500 L Tank + Pump panel + S on chassis			
A902AD	Antiscalant Dosing System	Aqua HC100+100 Lt Tank			

• Please ask for a price for high conductivity.

TECHNICAL SPECIFICATIONS

- > TFC spiral wound membranes diameter 4"
- > Flow adjustment valve
- > FRP membrane housings
- > Glycerin manometers
- > Chassis ST 37 oven painted
- > PLC control unit
- > Motor misconnection warning system
- > Aqua final filtration system, 5 micron precision
- > Emergency Stop
- > Adjustable flush time
- > Online display of product water conductivity measurement
- > Pressure monitoring from the screen with low and high pressure sensor
- > For Piccola 5E and 10E models only low pressure switch is included in the package price.

FEED WATER ACCEPTANCE LIMITS

- > Tds: 0-2000 ppm
- > pH: 6-8
- > Temperature: 10-30°C,
- > Hydrogen Sulfur (H₂S) Tolerance: 0
- > Microbiological Tolerance: 0
- > Pressure: 2-5 bar
- > Silica: < 25ppm
- > Max. Ferro Tolerance: 0,05 ppm
- > Oil-Grease Tolerance: 0
- > Turbidity: NTU<1
- > Free Chlorine: < 0,2 mg/lL

- > Piccola 5E and 10E models are supplied with
- > Rotoflow pump. For other models SS304 quality stainless steel vertical shaft high pressure pump is used.
- > Product and drainage water flow meters
- > Floater
- > IP 56 protection
- > Low and high pressure piping
- > English and Turkish language options
- > High voltage, reversed phase, short circuit, phase interruption, over current protections
- > Optional temperature measurement
- > Password protection
- > Note: Antiscalant dosing system is not included in the price



WATER TREATMENT DEVICES and ACCESSORIES

EQUA PICCOLA SOFT		Mechanical Panel. The warning light is green when it is producing, yellow when the tank is full and red when there is a problem. 40x40'' membrane. FRP membrane housing. Chassis ST37 oven painted. 2 manometers. Production and waste flow meters. Waste adjustment valve. Aqua level floater. Low pressure switch. Dosing pump outlet. Conductivity meter.			
CODE	MODEL	CAPACITY (m ³ /gün)	MEMBRANE NUMBER	EFFICIENCY (%)	MOTOR POWER
A90205ARS	Piccola 5S	5	1	50	0,64
A90210ARS	Piccola 10S	10	2	50	0,64

TECHNICAL SPECIFICATIONS

- > TFC spiral wound membranes diameter 4''
- > Flow adjustment valve
- > FRP membrane sheaths
- > Glycerin manometers
- > Chassis ST 37 oven painted
- > Mechanical control unit
- > Aqua final filtration system, 5 micron precision
- > Product water conductivity measurement online visualization
- > Product and drainage water flow meters
- > Floater
- > IP 56 protection
- > Low and high pressure piping
- > Note: Antiscalant dosing system is not included in the price.

FEED WATER ACCEPTANCE LIMITS

- > Tds: 0-2000 ppm
- > pH: 6-8
- > Temperature: 10-30°C,
- > Hydrogen Sulfur (H₂S) Tolerance: 0
- > Microbiological Tolerance: 0
- > Pressure: 2-5 bar
- > Silica: < 25ppm
- > Max. Ferro Tolerance: 0,05 ppm
- > Oil-Grease Tolerance: 0
- > Turbidity: NTU<1
- > Free Chlorine: < 0,2 mg lL



EQUA PICCOLA SOFT PLUS		Mechanical Panel. The warning light is green when it is producing, yellow when the tank is full and red when there is a problem. 40x40" membrane. FRP membrane housing. Chassis ST37 oven painted. 2 manometers. Production and waste flow meters. Waste adjustment valve. Aqua level floater. Low pressure switch. Dosing pump outlet. Conductivity meter.			
CODE	MODEL	CAPACITY (m3/day)	MEMBRANE NUMBER	EFFICIENCY (%)	MOTOR POWER
A90205ARSP	Piccola 5SP	5	1	50	1,5
A90210ARSP	Piccola 10SP	10	2	50	1,5
A90215ARSP	Piccola 15SP	15	3	50	1,5
A90220ARSP	Piccola 20SP	20	4	50	1,5

TECHNICAL SPECIFICATIONS

- > TEC spiral wound membranes diameter 4"
- > Flow adjustment valve
- > FRP membrane housing
- > Glycerin manometers
- > Chassis ST 37 oven painted
- > Mechanical control unit
- > Aqua final filtration system, 5 micron precision
- > Online display of product water conductivity measurement
- > Product and drainage water flow meters
- > Floater
- > IP 56 protection
- > Low and high pressure piping
- > Note: Antiscalant dosing system is not included in the price.
- > Motor delay
- > Flush
- > Motor and phase protection

FEED WATER ACCEPTANCE LIMITS

- > Tds: 0-2000 ppm
- > pH: 6-8
- > Temperature: 10-30°C,
- > Hydrogen Sulfur (H₂S) Tolerance: 0
- > Microbiological Tolerance: 0
- > Pressure: 2-5 bar
- > Silica: < 25ppm
- > Max. Ferro Tolerance: 0,05 ppm
- > Oil-Grease Tolerance: 0
- > Turbidity: NTU<1
- > Free Chlorine: < 0,2 mg/lL



WATER TREATMENT DEVICES and ACCESSORIES

EQUA GRANDE		Led display (conductivity, electrical voltage value, low-high pressure, tank full-empty monitoring). ON/OFF button. Password protected. 40x40'' membrane. FRP membrane housing. Chassis ST37 oven painted. Single- phase and three-phase motor option. 3 manometers. Production and waste flow meters. Waste adjustment valve. Aqua level floater. Online low pressure switch. Dosing pump outlet. Aqua outlet conductivity meter. AUTOFLUSH and adjustable flush time. 10.000micro siemens and optional temperature probe			
CODE	MODEL	CAPACITY (m ³ /saat)	MEMBRANE NUMBER	EFFICIENCY (%)	MOTOR POWER
A90201ARPH	Grande 1	1	1	1	50
A90202ARPH	Grande 2	2	2	2	50
A90203ARPH	Grande 3	3	3	1	60
A90204ARPH	Grande 4	4	4	2	60
A90206ARPH	Grande 6	6	6	2	60
A90208ARPH	Grande 8	8	8	2	70
A90210ARPH	Grande 10	10	10	2	70
A90212ARPH	Grande 12	12	12	2	75
A90215ARPH	Grande15	15	15	3	75
A90218ARPH	Grande 18	18	18	3	75
A90224ARPH	Grande 24	24	24	4	75
A90230ARPH	Grande 30	30	30	5	75
A90236ARPH	Grande 36	36	36	6	75
A90242ARPH	Grande 42	42	42	7	75
A90248ARPH	Grande 48	48	48	8	75
A90260ARPH	Grande 60	60	60	10	75
A90272ARPH	Grande 72	72	72	12	75
A90296ARPH	Grande 96	96	96	16	75

• Please ask for a price for high conductivity.

TECHNICAL SPECIFICATIONS

- > TFC spiral wound membranes diameter 8''
- > Flow adjustment valve
- > FRP membrane housing
- > Glycerin manometers
- > Chassis ST 37 oven painted
- > PLC control unit
- > Motor misconnection warning system
- > Aqua final filtration system, 5 micron precision
- > Emergency Stop
- > Adjustable flush time
- > Online display of product water conductivity measuremen
- > Pressure monitoring from the screen with low and high pressure sensor
- > English and Turkish language options
- > High voltage, reverse phase, short circuit, phase interruption, over current protections,
- > Password protection
- > Product and drainage water flow meters
- > Floater
- > IP 56 protection
- > Low and high pressure piping
- > Optional temperature measurement
- > Note: Antiscalant dosing system is not included in the price.

FEED WATER ACCEPTANCE LIMITS

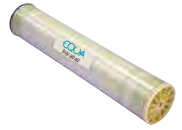
- > Tds: 0-2000 ppm
- > pH: 6-8
- > Temperature: 10-30 °C,
- > Hydrogen Sulfur (H2S) Tolerance:0
- > Microbiological Tolerance: 0
- > Pressure: 2-5 bar
- > Silica: < 25ppm
- > Max. Ferro Tolerance: 0,05 ppm
- > Oil-Grease Tolerance: 0
- > Turbidity: NTU<1
- > Free Chlorine: < 0,2 mg lL



WATER TREATMENT DEVICES and ACCESSORIES



EQUA RO MEMBRAN	(4" and 8") membrane options.			
CODE	MODEL	RECOVERY %	CAPACITY	DESCRIPTION
YAQM011	Equa	99,20	0,37	40x40 ULP low pressure
YAQM012		99,50	0,39	40x40 BW high pressure
YAQM013		99,50	1,57	80x40 ULP low pressure
YAQM014		99,50	1,55	80x40 BW high pressure
YAQM015		99,20	0,15	40x21 ULP low pressure
YAQM017		99,70	0,079	25X40 SW sea water
YAQM018		99,70	0,28	40X40 SW sea water



EQUA RO HOUSING	300 psi membrane housing.	
CODE	DESCRIPTION	
Y0239	40x21 1 element	
Y0093	40x40 1 element	
Y0201	40x40 2 element	
Y0195	40x40 3 element	
Y0322	40x40 4 element	
Y0105	80x40 1 element	
Y0215	80x40 2 element	
Y0176	80x40 3 element	
Y0134	80x40 4 element	
Y0645	80x40 5 element	
Y0575	80x40 6 element	



- Couplings are included in the price.

EQUA RO HOUSING SPARE PARTS		
CODE	DESCRIPTION	
Y0726	4" Plastic Wedge	
Y0725	4" Housing Clamp	
Y0068	4" Housing Plug	
Y0727	4" Housing Cover Mirror	
Y0846	8" Plastic Wedge	
Y0847	8" Housing Clamp	
Y0848	8" Adapter Oring included	
Y0713	8" Housing Plastic Inner Plug (One Side)	
Y0849	8" Housing Plug Assembly (One Side)	
Y0177	8" Coupling	

WATER TREATMENT DEVICES and ACCESSORIES

EQUA RO CONTROL PANEL	Control of motors up to 7.5 kW with a single unit. Possibility to monitor touch membrane faults, switch keypads. Single phase or three phase options. Error warning when motor connections are made incorrectly. Phase values can be displayed separately while the device is running. Possibility to monitor phase errors. System lower pressure and upper pressure settings are made on the device. Monitoring of pressure values on the screen. Pressure sensors are provided by us. The device shows the conductivity value on the screen. The device shows the temperature value, temperature probe is not included in the price. Flush timing can be made on the device. There are 2 dosing pump outputs on the device. There is a float output to ensure that the device stops in case of full water in the clean water tank and starts in case of lack of water.
CODE	MODEL - DESCRIPTION
ADT345422	LCD RO Control - Single phase, 2.2 kw max
ADT345475	LCD RO Control - Three-phase, 7.5 kw max.
ADT345425	LCD RO Pressure Sensor 4-20 mA (25 BAR) - extra



- Pressure sensor, K5 conductivity probe, Aqua floater included in the price.

EQUA SOFT RO CONTROL PANEL	It is used for controlling single phase RO systems. Green light when the system is running, yellow when the tank is full, red light if there is a problem. Easy to use and compatible with problematic environments.
CODE	MODEL - DESCRIPTION
Y1094	RO SOFT CONTROL-M

FLOW METER		0-60°C		
CODE	FLOW	ASSEMBLY TYPE	CONNECTION	
Y0039	16 - 160 LPH (L/s)	Panel type	1/2" M	
Y0040	25 - 250 LPH (L/s)			
Y0092	1 - 7 LPM (L/dk)			
Y0281	2 - 18 LPM (L/dk)			
Y0282	5 - 35 LPM (L/dk)			
Y0292	10 - 70 LPM (L/dk)	In-Line	1" M	
Y0327	10 - 170 LPM (L/dk)			
Y0328	100 - 1000 L/H (L/s)			DN 15
Y0329	250 - 2500 L/H (L/s)			DN 25
Y0330	0,6 - 6 m3/H (m3/s)			DN 32
Y0331	1,6 - 16 m3/H (m3/s)			DN 63
Y0332	5 - 25 m3/H (m3/s)			DN 65
Y0333	8 - 40 m3/H (m3/s)			DN 100
Y0334	18 - 120 m ³ /H (m ³ /s)			



WATER TREATMENT DEVICES and ACCESSORIES



PRESSURE CONDUCTIVITY METER	Conductivity meter panel type. Without relay output. With conductivity probe
CODE	DESCRIPTION
Y1211	Panel type basic conductivity meter

SOLENOID VALVE	Solenoid valve. Normally closed.	
CODE	CONNECTION	VOLT
Y0128	1/2"	220
Y0295	3/4"	
Y0296	1"	
Y0294	1" 1/4	



ELECTRICACTUATED BUTTERFLY VALVE	220V electric actuator butterfly valve. 316SS Shaft	
CODE	CONNECTION	
Y0003	1 1/2"	
Y0235	2"	
Y0850	2 1/2"	
Y0236	3"	
Y0238	4"	



ELECTRIC ACTUATED VALVE	Brass electric actuator valve.	
CODE	CONNECTION	VOLT
Y0237	1/2"	220
Y0361	3/4"	
Y0644	1"	



NEEDLE VALVE	Needle valve made of SS 304 material, PN16	
CODE	DESCRIPTION	
Y0164	1/2" connection	
Y0325	3/4" connection	
Y0326	1" connection	



WATER TREATMENT DEVICES and ACCESSORIES

MANOMETRE	Glycerin manometer.
CODE	DESCRIPTION
Y0324	Bottom connection, 0-16 bar, 1 /4" BSP
Y0197	Rear connection, 0-25 bar, 1/4" BSP Panel Type
Y0323	Rear connection, 0-16 bar, 1/4" BSP Panel Type



PRESSURE SWITCHES	Mechanical pressure switches
CODE	DESCRIPTION
Y1336	Low Pressure Switch Equa
Y1337	High Pressure Switch Equa



FLOAT AND WEIGHT BALLS		Non-hardening cable, center clip weight ball, double layer liquid- tight housing, non-binding switch up to 10 amps. High quality.
CODE	MODEL	DESCRIPTION
A5010030	GMS	Floater, 0.615 meter cable
A5020020	GMS1	Floater, 3 meter cable
A5020030	GMS1	Floater, 5 meter cable
A5060160	BMS	Floater, 20 meter cable (for waste water)
A5018060	COWE	Weight ball, center clip (for GMS model) 200 gr
A5018040	COWE	Weight ball, center clip (for waste water) 700 gr



WATER TREATMENT DEVICES and ACCESSORIES



PUMPS AND MOTORS	
CODE	DESCRIPTION
Y0126	RRotoflow 400 L/h Bypass Bronze Pump
Y0162	Rotoflow 800 L/h Bypass Bronze Pump
Y0795	Rotoflow 1.000 L/h Bypass Bronze Pump
Y0241	RPM 0,245 kw Motor
Y0224	RPM 0,64 kw Motor



RO PUMP		2 series. 1.1-30 KW vertical shaft pumps. Stainless inlet-outlet.									
CODE	MODEL	KW	Q (m ³ /h)	1	1,5	1,6	2	2,4	2,8	3,2	3,5
Y0359	2-9	1,1	H (m)	80	78	73	67	61	54	45	37
Y0155	2-11	1,1		98	95	89	82	73	64	54	44
Y0260	2-13	1,5		116	114	106	98	89	78	65	52
Y0214	2-15	1,5		134	130	123	112	100	90	73	60
Y0277	2-18	2,2		161	157	148	136	121	108	91	76

RO PUMP		4 series. 1.1-30 KW vertical shaft pumps. Stainless inlet-outlet.								
CODE	MODEL	KW	Q (m ³ /h)	1,5	2	3	4	5	6	7
Y0299	4-10	2,2	H (m)	96	90	87	81	71	62	48
Y0614	4-12	2,2		114	108	104	95	85	75	58
Y0291	4-14	3		136	126	122	112	101	89	68
Y0305	4-16	3		152	144	140	129	115	101	78
Y0306	4-19	4		183	171	168	153	137	102	93



RO PUMP		8 series. 1.1-30 KW vertical shaft pumps. Stainless inlet-outlet									
CODE	MODEL	KW	Q (m ³ /h)	5	6	7	8	9	10	11	12
Y0699	8-8	3	H (m)	83	80	77	73	69	65	58	52
Y0383	8-12	4		124	120	112	111	104	92	87	78
Y0194	8-14	5,5		145	141	138	130	129	113	102	92
Y0718	8-16	5,5		166	161	156	148	139	130	118	106
Y0427	8-18	7,5		187	182	175	167	160	157	134	120

WATER TREATMENT DEVICES and ACCESSORIES

FIXED MEMBRANE HYDROPHOROUS TANK SERIES

VERTICAL TANK SERIES		1" BSP/NPT stainless connection nipple, special leak-proof valve.					
CODE	CAPACITY	BASINÇ (BAR)	MOST	SIZE	HEIGHT	PRE PRESSUE	CONNECTION
EQ - 24V	24 LT	10 Bar	277 mm	450 mm	450 mm	2 Bar	1" BSP/NPT
EQ - 50V	50 LT	10 Bar	387 mm	620 mm	620 mm	2 Bar	1" BSP/NPT
EQ - 100V	100 TL	10 Bar	387 mm	815 mm	815 mm	2 Bar	1" BSP/NPT

- 3 years warranty for cold water installations and 2 years warranty for hot water installations.



HORIZONTAL TANK SERIES		1" BSP/NPT stainless connection nipple, special leak-proof valve.					
CODE	CAPACITY	BASINÇ (BAR)	MOST	SIZE	HEIGH	PRE PRESSUE	CONNECTION
EQ - 24H	24 LT	10 Bar	277 mm	450 mm	315 mm	2 Bar	1" BSP/NPT
EQ - 50H	50 LT	10 Bar	387 mm	535 mm	435 mm	2 Bar	1" BSP/NPT
EQ - 100H	100 TL	10 Bar	387 mm	725 mm	435 mm	2 Bar	1" BSP/NPT

- 3 years warranty for cold water installations and 2 years warranty for hot water installations.



ULTRAVIOLET DISINFECTION SYSTEM

EQUA UV DISINFECTION SYSTEM (MECHANICAL PANEL)		Maximum working temperature 45 °C. Maximum working pressure 10 Bar. Body 304SS. 220 V/50 HZ. With mechanical panel with time counter.		
CODE	FLOW (m ³ /h)	CONNECTION	LAMP POWER (watt)	LAMP NUMBER
EQUU0012	0,7	1/2"	21	1
EQUU0034	1,5	3/4"	21	1
EQUU0001	3	1"	41	1
EQUU0001H	5	1"	58	1
EQUU0112	10	1 1/2"	116	2
EQUV0002	15	2"	174	3
EQUV000211	20	2"	232	4
EQUV0212	30	2 1/2"	348	6
EQUV0003	40	3"	464	8



EQUA UV DISINFECTION SYSTEM (DIGITAL PANEL)		Maximum working temperature 45 °C. Maximum working pressure 10 Bar. Body 304SS. 220 V/50 HZ. Aqua digital panel: multi watt between 21-65 watts. Automatic detection. Special design to prevent ballast burnout. Ability to enter the lamp life and monitor the remaining life on the screen. Buzzer alarm.		
CODE	FLOW (m ³ /h)	CONNECTION	LAMP POWER (watt)	LAMP NUMBER
EQUU0012D	0,7	1/2"	21	1
EQUU0034D	1,5	3/4"	21	1
EQUU0001D	3	1"	41	1
EQUU0001HD	5	1"	58	1
EQUU0112D	10	1 1/2"	116	2
EQUV0002D	15	2"	174	3
EQUV000211D	20	2"	232	4
EQUV0212D	30	2 1/2"	348	6
EQUV0003D	40	3"	464	8

WATER TREATMENT DEVICES and ACCESSORIES

EQUA BASIC ULTRAVİYOLE MEKANİK PANO		Mechanical UV Panel
CODE	MODEL	WATT
YAQUV05	BASIC 21	21
YAQUV15	BASIC 41	41
YAQUV27	BASIC 58	58



EQUA ULTRAVIOLET DIGITAL PANEL		Aqua digital panel: multi wattage between 21-65 watts. Special design to prevent ballast burnout. Ability to enter the lamp life and follow the remaining life on the screen. Buzzer alarm.
CODE	MODEL	WATT
YAQUV11	Equa 135	21-65
YAQUV26	Equa 010	42-130
YAQUV28	Equa 015	63-195
YAQUV29	Equa 020	84-260
YAQUV30	Equa 030	126-390
YAQUV31	Equa 040	168-520



EQUA UV AMPUL		Lamps of various powers. 4 pins.	
CODE	MODEL	WATT	SIZE (mm)
YAQUV13	UV AMPUL	14	287
YAQUV08		21	436
YAQUV04		41	843
YAQUV09		58	843



QUARTZ KILIF		Quartz glass.
CODE	MODEL	DIMENSIONS
YAQUV06	UV QUARTZ KILIF	23x20x488
YAQUV07		23x20x900



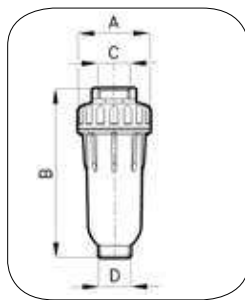
DOMESTIC TREATMENT SYSTEMS and SPARE PARTS



DOMESTIC TREATMENT SYSTEMS and SPARE PARTS

DOMESTIC TREATMENT DEVICES

SALVALAVATRiS		Compact and high performance, plastic material. Easy to install, no plumber required. Connected to the cold water inlet of the washing machine. Direct connection to polyphosphate dosing equipment for machine inlet. Protects your washing machine from limescale and reduces the amount of detergent needed. (Do not use for drinking water) Polypropylene head. SAN body. Working pressure max 6 Bar. Burst pressure max. 25 Bar. Working temperature 0-50 °C.
CODE	FLOW	
A8030010	8-10 Lt/dk	

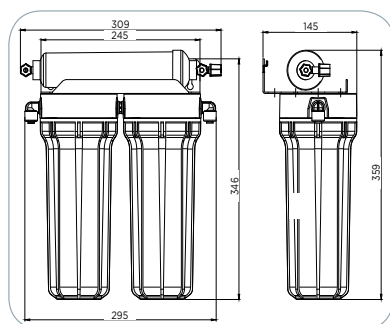


AQUA TOP		Countertop purifier. Easy to install and change cartridges. Connects directly To the faucet. Faucet inlet with by-pass. Complete with adapter. No electrical connections required. It is recommended to replace the cartridge at least once a year. A single cartridge can provide 10,000 bottles of quality drinking water. PP head and body. NBR o-ring. Working pressure max. 5 Bar. Burst pressure max. 20 Bar. Working temperature 0-50 °C. CTO-E is included in the price.
CODE	FLOW	
A805C000	4 Lt/dk	



- CTO-E is included in the price.

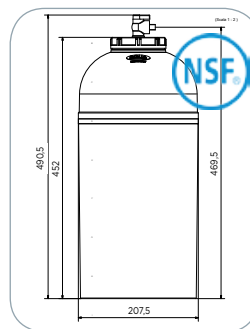
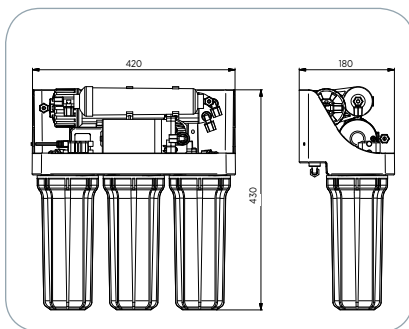
AQUA SIMPLEX UF		Aqua ultrafiltration drinking water treatment system. No pumping filter is needed as only a minimum pressure is required. This guarantees filtration efficiency. Elements necessary for the human body such as salts and minerals are released into the purified water. There is no need for storage tanks and electrical connections, 100% of the water is ready for use, so no water is wasted. 1st stage sediment filtration, 2nd stage taste and odor removal, 3rd stage bacteria removal. In-line ultrafiltration module. Filtration surface 2800-3000 mm ² . Flow rate 2,5 Lt/min, Filtration 0,1 micron.
CODE	MODEL	
A9030210	Aqua Simplex UF	
A4240250	FR-N 10" 1 micron	
A4120560	GAC-40 10"	
P9020270	Ultrafiltration Cartridge In-line	



AQUA UNDERSINK OSMOSIS (ARO TRIPLEX)		<p>Undersink purifier, without pump. Pre-filter made of food-grade material. Functional parts explosion tested. Installation kit includes pressurized removable and cleanable water tank made of 100% polypropylene. The tank is NSF certified. The membrane is easy to remove. There is a faucet for purified water supply</p> <p>The 5-stage system includes;</p> <ol style="list-style-type: none"> 1. PP 10" 5 micron sediment filter FR-E (A426090P) 2. Carbon filter CTO (A4220050) 3. PP 10" 1 micron sediment filter FR-N (A4240250) 4. 75 gpd membrane (YAQM009) 5. GAC In-line post carbon (P9020060)
CODE	MODEL	
A9020080N	4 Way shut-off valve. Water tank 6lt/1,58 gallon, 100% PP, tank valve 1/4". Working pressure 2-7 Bar.	



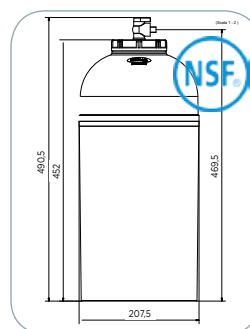
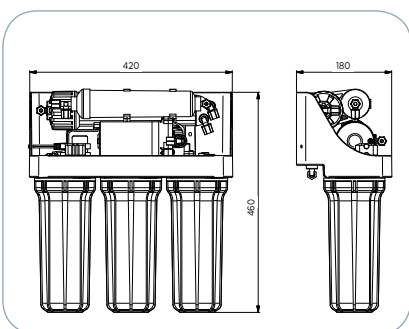
• Pressure reducer included in the price



AQUA TEZGAHALTI OSMOZ (ARO TRIPLEX PLUS)		<p>Undersink purifier with pump. Pre-filter made of food-grade material Functional parts explosion tested. Installation kit includes pressurized, removable and cleanable water tank made of 100% polypropylene. The tank is NSF certified. Membrane is easy to remove. There is a faucet for purified water supply.</p> <p>The 5-stage system includes;</p> <ol style="list-style-type: none"> 1. PP 10" 5 micron sediment filter FR-E (A426090P) 2. Carbon filter CTO (A4220050) 3. PP 10" 1 micron sediment filter FR-N (A4240250) 4. 75 gpd membrane (YAQM009) 5. GAC In-line post carbon (P9020060)
CODE	MODEL	
A9020090N	4 Way shut-off valve. Water tank 6lt/1,58 gallon, 100% PP, tank valve 1/4". Working pressure 0,5-3,0 Bar. Pump flow rate 1,2 Lt/min. 24 VDC.	

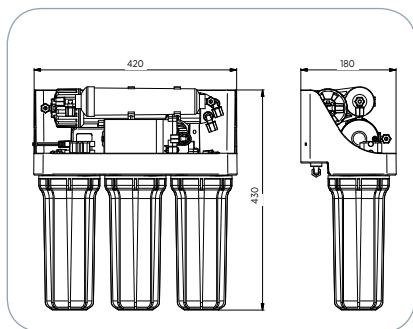


• Pressure reducer included in the price.

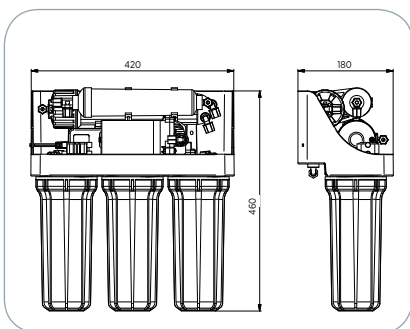


DOMESTIC TREATMENT SYSTEMS and SPARE PARTS

AQUA UNDERSINK OSMOSIS (ARO TRIPLEX ECO)		<p>Undersink purifier, without pump. Pre-filter made of food-grade material. Functional parts explosion tested. Installation kit includes pressurized, metal water tank. The membrane is easy to remove. There is a faucet for purified water supply.</p> <p>The 5-stage system includes;</p> <ol style="list-style-type: none"> 1. PP 10'' 5 micron sediment filter FR-E (A426090P) 2. Carbon filter CTO (A4220050) 3. PP 10'' 1 micron sediment filter FR-N (A4240250) 4. 75 gpd membrane (YAQM009) 5. GAC In-line post carbon (P9020060)
CODE	MODEL	
A9020080V	4-Way shut-off valve. Water tank 2,2 gallon, tank valve 1/4". Working pressure 2-7 Bar.	



AQUA UNDERSINK OSMOSIS (ARO TRIPLEX PLUS ECO)		<p>Undersink purifier with pump. Pre-filter made of food-grade material. Functional parts explosion tested. Installation kit includes pressurized, metal water tank. The membrane is easy to remove. There is a faucet for purified water supply.</p> <p>The 5-stage system includes;</p> <ol style="list-style-type: none"> 1. PP 10'' 5 micron sediment filter FR-E (A426090P) 2. Carbon filter CTO (A4220050) 3. PP 10'' 1 micron sediment filter FR-N (A4240250) 4. 75 gpd membrane (YAQM009) 5. GAC In-line post carbon (P9020060)
CODE	MODEL	
A9020090V	4-Way shut-off valve. Water tank 2,2 gallon, tank valve 1/4". Working pressure 0,5-3,0 Bar. Pump flow rate 1,2 Lt/min. 24 VDC..	



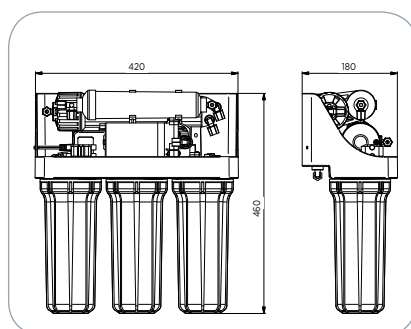
AQUA UNDERSINK OSMOSIS (ARO TRIPLEX PLUS S)	<p>600L/day capacity. Undersink treatment device with pump. 5-stage, 10" prefilter in accordance with food regulations. Electric and non-electric operation. Faucet included, tank excluded. It is mounted on the chassis.</p> <p>The 5-stage system includes;</p> <ol style="list-style-type: none"> 1. PP 10" 5 micron sediment filter FR-E (A4260290P) 2. Carbon filter CTO (A4220050) 3. PP 10" 1 micron sediment filter FR-N (A4240250) 4. 200 gpd membrane (YAQM004) 5. GAC In-line post karbon (P9020060)
CODE	MODEL
A9020091	Aro Triplex Plus S



AQUA HIGH CAPACITY UNDERSINK OSMOSIS (ARO TRIPLEX PLUS M)	<p>1200L/day capacity. Undersink treatment device with pump. 5-stage, 20" prefilter in accordance with food regulations. Electric and non-electric operation. Faucet included, tank excluded. Pressure reducer included in the price. It is mounted on the chassis.</p> <p>The 5-stage system includes;</p> <ol style="list-style-type: none"> 1. PP 20" 5 micron sediment filter FR-N (A4240430) 2. Carbon filter CTO (A4220070) 3. PP 20" 1 micron sediment filter FR-N (A4240410) 4. 400 gpd membrane (YAQM001) 5. GAC In-line post karbon (P9020060)
CODE	MODEL
A9020092	Aro Triplex Plus M



AQUA UNDERSINK OSMOSIS (ARO TRIPLEX PLUS DIRECT)	<p>Undersink purifier, tankless model with pump and direct flow. 60 L/h capacity. Pre-filter made of material suitable for food regulations. Functional parts are explosion tested. Easy to remove the membrane. Faucet and pressure reducer for purified water supply.</p> <p>The 5-stage system includes;</p> <ol style="list-style-type: none"> 1. PP 10" 5 micron sediment filter FR-E (A4260290P) 2. Carbon filter CTO (A4220050) 3. PP 10" 1 micron sediment filter FR-N (A4240250) 4. 200 gpd x2 membrane (YAQM004) 5. GAC In-line post karbon (P9020060)
CODE	MODEL
A9020091D	4 Way shut-off valve. Working pressure 0,5-3,0 Bar. Pump flow rate 1,2 H/min. 24 VDC.

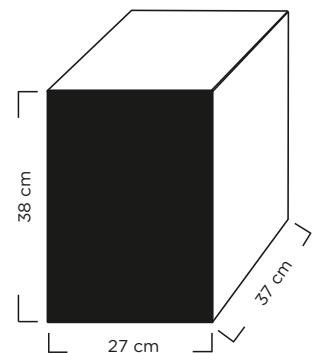


DOMESTIC TREATMENT SYSTEMS and SPARE PARTS

EQUA UV LAMP		UV Lamp Set with stainless body	
CODE	CAPACITY (L/h)	WATT	
YAQUV14	200	6	



EQUA VENICE 200 INDOOR CASE		Indoor case undersink purifier. In-line RED series pre-filters and tank are located in the case. 12'' in-line RED spun, RED GAC carbon, and 10'' post carbon filters, 8 lt metal tank, luxury faucet, automatic shut ofvalve, optionally with/without pump, 24 volt, 1,2 ampere adapter included.	
		Equa 12'' in-line RED Spun	(Y1060)
		Equa 12'' in-line RED Gac	(Y1062)
		Equa 75 gpd Membrane Equa in-line Post Carbon	(YAQM009) (Y1124)
CODE	MODEL		
Y1137	Equa Venice 200 Blue		
Y1138	Equa Venice 200 Blue Plus		
Y1059	Equa Venice 200 Black		
Y1061	Equa Venice 200 Black Plus		



DOMESTIC TREATMENT DEVICE FILTERS AND SPARE PARTS

UNDERSINK FILTERS SPUN FILTERS		Prefilters for undersink treatment.
CODE	MODEL - DESCRIPTION	
Y0618	EQUA Spun Filter 10" 1 micron	
Y0073	EQUA Spun Filter 10" 5 micron	
Y0620	EQUA Spun Filter 20" 1 micron	
Y0100	EQUA Spun Filter 20" 5 micron	
A4261100	AQUA Filter FR-E 10" 1 micron	
A4260290P	AQUA Filter FR-E 10" 5 micron	
A4261140	AQUA Filter FR-E 20" 1 micron	
A4261150	AQUA Filter FR-E 20" 5 micron	
A4240250	AQUA Filter FR-N 10" 1 micron (plastic cage inside)	
A4240270	AQUA Filter FR-N 10" 5 micron (plastic cage inside)	
A4240410	AQUA Filter FR-N 20" 1 micron (plastic cage inside)	
A4240430	AQUA Filter FR-N 20" 5 micron (plastic cage inside)	

UNDERSINK FILTERS CARBON FILTERS		Carbon filters for undersink treatment.
A4220074	EQUA 10" CT Block Carbon (Coal)	
A4220075	EQUA 20" CT Block Carbon (Coal)	
A4220050	AQUA 10" CTO-E Block Carbon	
A4220070	AQUA 20" CTO-E Block Carbon	



Y0618
Y0073
A4261100
A426090P
A4240250
A4240270



Y0620
Y0100
A4261140
A4261150
A4240410
A4240430



A4220073
A4220074
A4220050



A4220071
A4220075
A4220070

POST CARBON INLINE FILTERS		Last post carbon filter.
CODE	MODEL - DESCRIPTION	
P9020060	AQUA In-line Filter - Jaco fittings included	
Y1124	EQUA VENICE In-line Filter – Quick	



DOMESTIC TREATMENT SYSTEMS and SPARE PARTS

VENICE RED IN-LINE FILTERS		Special design in-line filters for closed case devices
CODE	MODEL - DESCRIPTION	
Y1060	EQUA VENICE RED In-line Spun /Quick	
Y1062	EQUA VENICE RED In-line Gac /Quick	



VENICE RED 3-PIECE IN-LINE FILTER SET		Economic 3-piece in-line filter set. In cardboard box.
CODE	MODEL - DESCRIPTION	
Y0190	3-piece in-line filter set includes (Equa Venice Red in-line spun, quick 1 piece, Equa Venice Red in-line gac, quick 2 pieces)	



OPEN CASE ECONOMY 3 FILTER SET		Economic series 3-piece pre-filter set. In cardboard box. Suitable for open case devices.
CODE	MODEL - DESCRIPTION	
Y0165	3-piece filter set includes (Equa spun filter 2 pieces Equa block carbon 1 piece)	



MEMBRANES		Domestic membranes.
CODE	MODEL - DESCRIPTION	
YAQM009	EQUA Membran – 75 Gpd (1812)	
YAQM007	Membran (No name) - 75 Gpd (1812)	
YAQM010	EQUA Membran – 100 Gpd (1812)	
YAQM004	EQUA Membran – 200 Gpd (1812)	
YAQM001	EQUA Membran – 400 Gpd (3012)	



MEMBRANE HOUSINGS		
CODE	MODEL - DESCRIPTION	
A9010010	Aro Membrane Housing 1812 AQUA, Aro Triplex	
Y1197	Aro Membrane Housing 1812 EQUA - Quick	
A9010011	Aro Membran Kılıfı 3012 EQUA	
Y0124	Aro Membrane Housing Leg 1812	



A9010010
Y0555
Y1197
Y0560



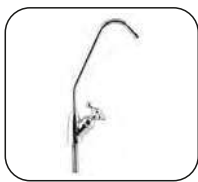
Y0124

PUMPS AND ADAPTERS		Aro pumps and adapters
CODE	MODEL - DESCRIPTION	
Y0101	Aro Adapter 24V EQUA	
Y0129	Aro Motor 24V EQUA	
P9020020	Aro Adapter 24V AQUA	
P9020010	Aro Motor 24V AQUA (50 Gpd-400 Gpd)	
Y1340	Aro Adapter 36V	
Y1339	Aro Motor 36V (400 Gpd-600 Gpd)	



PUMP SPARE PARTS		Spare parts for domestic motors.
CODE	MODEL - DESCRIPTION	
Y0355	Equa motor head	
Y0356	Equa motor diaphragm	
Y0357	He motor head	

FAUCET AND PARE PARTS		Aro faucets and fittings
CODE	MODEL - DESCRIPTION	
A6010230	Aro Triplex Musluk AQUA	
Y0605	Faucet Lux	
Y0184	Faucet Star	
Y0278	Three Way Faucet Modern Type (Hot-Cold-Treatment)	
Y0794	Aro Faucet Fitting Tightening Tool	
Y0793	Aro Faucet Extension 8 cm	



Y0184



Y0605



Y0278



Y0794



Y0793

DOMESTIC TREATMENT SYSTEMS and SPARE PARTS

ARO WATER TANK AND SPARE PARTS		Aro tanks in different volumes and spare parts.
CODE	MODEL - DESCRIPTION	
Y1179	Aro Water Tank 8 Lt - EQUA	
Y1180	Aro Water Tank 12 Lt - EQUA	
Y0566	Aro Water Tank 40 Lt - EQUA	
Y0567	Aro Water Tank 75 Lt - EQUA	
Y0570	Aro Water Tank 45 – 75 Lt Funnel Connection Apparatus	
A9010115N	Aro Triplex Tank Inner Tube 12 – 18 Lt	
Y0181	Aro Tank Valve Jaco 1/4" (4/6)	
P9020171	Aro Tank Valve Jaco 3/8" (8/10)	
Y1253	Aro Tank Valve Quick 3/8" (8/10)	



Y1179
Y1180



Y0072
Y0013



Y0012



Y0570



Y0181
P9020171



Y1253

ARO PRESSURE SWITCHES	
CODE	MODEL - DESCRIPTION
Y0455	Aro High Pressure Switch 1/4" - Quick
Y0456	Aro Low Pressure Switch 1/4" - Quick



Y0455



Y0456

ARO SHUT OFF	
CODE	MODEL - DESCRIPTION
Y1224	Aro Shut Of 1/4" - Quick
Y0103	Aro Shut Of 1/4" - Jaco
Y0799	Aro Shut Of 3/8" - Jaco



Y0103
Y0799



Y1224

ARO FLOW	
CODE	MODEL - DESCRIPTION
Y0123	Aro Flow 300 1/4" - Quick
Y0770	Aro Flow 400 1/4" - Quick
Y1185	Aro Flow 550 1/4" - Quick



Y0123



Y0770



Y1185

DOMESTIC TREATMENT SYSTEMS and SPARE PARTS

ARO PRESSURE REDUCER	
CODE	MODEL - DESCRIPTION
Y0071	Metal Pressure Reducer 1/4" Adjustable
Y0800	Plastic Pressure Reducer 1/4" , 60 psi Taiwan
Y0800E	Plastic Pressure Reducer 1/4" , 60 psi Economic



Y0071



Y0800



Y0800E

ARO VALVE	
CODE	MODEL - DESCRIPTION
P9020170	Mini Ball Metal Valve 1/4"
M9020170	Metal Ball Valve 3/8"
Y1154M	Adjustable Three-Way Metal Valve (Combo) 3/8"
Y1154	Adjustable Three-Way Plastic Valve (Combo) 1/4"
Y0276	Aro Line Water Intake Connection Apparatus 3/8"
Y0183	Aro Line Water Intake Connection Apparatus 1/2"
Y0192	Aro Line Water Intake Connection Apparatus 3/4"
Y0182	Aro Manual Auto Flush Valve 1/4" - 1/4" Quick
Y0746	Aro Manual Auto Flush Valve 3/8"-3/8" Quick



P9020170



M9020170



Y1154M



Y1154



Y0276



Y0183



Y0192



Y0182



Y0746

ARO FITTINGS	
CODE	MODEL - DESCRIPTION
Y0747	Aro Tubing YE 1/4" - 1/4" - 1/4" - Quick
Y0756	Aro Tubing YE 3/8" - 3/8" - 3/8" - Quick
Y0297	Aro Tubing TE 1/4" - 1/4" - 1/4" - Quick
Y0792	Aro Tubing TE 3/8" - 3/8" - 3/8" - Quick
Y0764	Aro Tubing Connector (pitch crossing) 3/8" - Quick
Y1235	Aro Tubing One Side Threaded Elbow 1/4" T, 1/8"P -Quick
Y0744	Aro Tubing One Side Threaded Elbow 1/4" T, 3/8"P - Quick
Y0765	Aro Tubing Checkvalve 1/4" - Quick
Y0304	Aro Tubing Production Checkvalve Elbow 1/8" - 1/4" - Quick
Y1199	Aro Tubing Production Checkvalve Elbow 1/4"
Y1126	Aro Tubing Elbow 1/4" - Quick
Y0741	Aro Double Socket 1/4" - 1/4" - Quick
Y0797	Aro Double Socket 1/4" - 3/8" - Quick
Y0796	Aro Double Socket 3/8" - 3/8" - Quick
Y0808	Aro Union 1/4" - 1/4" - Jaco
Y0802	Aro TE 1/4" - 1/4" - 1/4" - Jaco
Y0804	Aro Elbow 1/8" - 1/4" - Jaco
Y0307	Aro Dirsek 1/4" - 1/4" - Jaco
Y0803	Aro Elbow 3/8" - 1/4" - Jaco
Y0805	Aro Elbow 3/8" - 3/8" - Jaco
Y0320	Aro Elbow Checkvalve 1/8"- 4/6" - Jaco

• P threaded, T quick side



DOMESTIC TREATMENT SYSTEMS and SPARE PARTS



Y0803



Y0805



Y0320

ARO TUBING HOSE	
CODE	MODEL - DESCRIPTION
Y0015	Aro Tubing Hose (1/4")
Y0132	Aro Tubing Hose (3/8")



Y0015
Y0132

EQUA PURIFIED WATER DISPENSER

EQUA PURIFIED WATER DISPENSER	
CODE	MODEL - DESCRIPTION
Y0218	Dispenser Plus 15L/h (with pump)
YO116	Aro Dispenser Tank Plastic
Y0302	Aro Water Dispenser Apparatus - Tankless



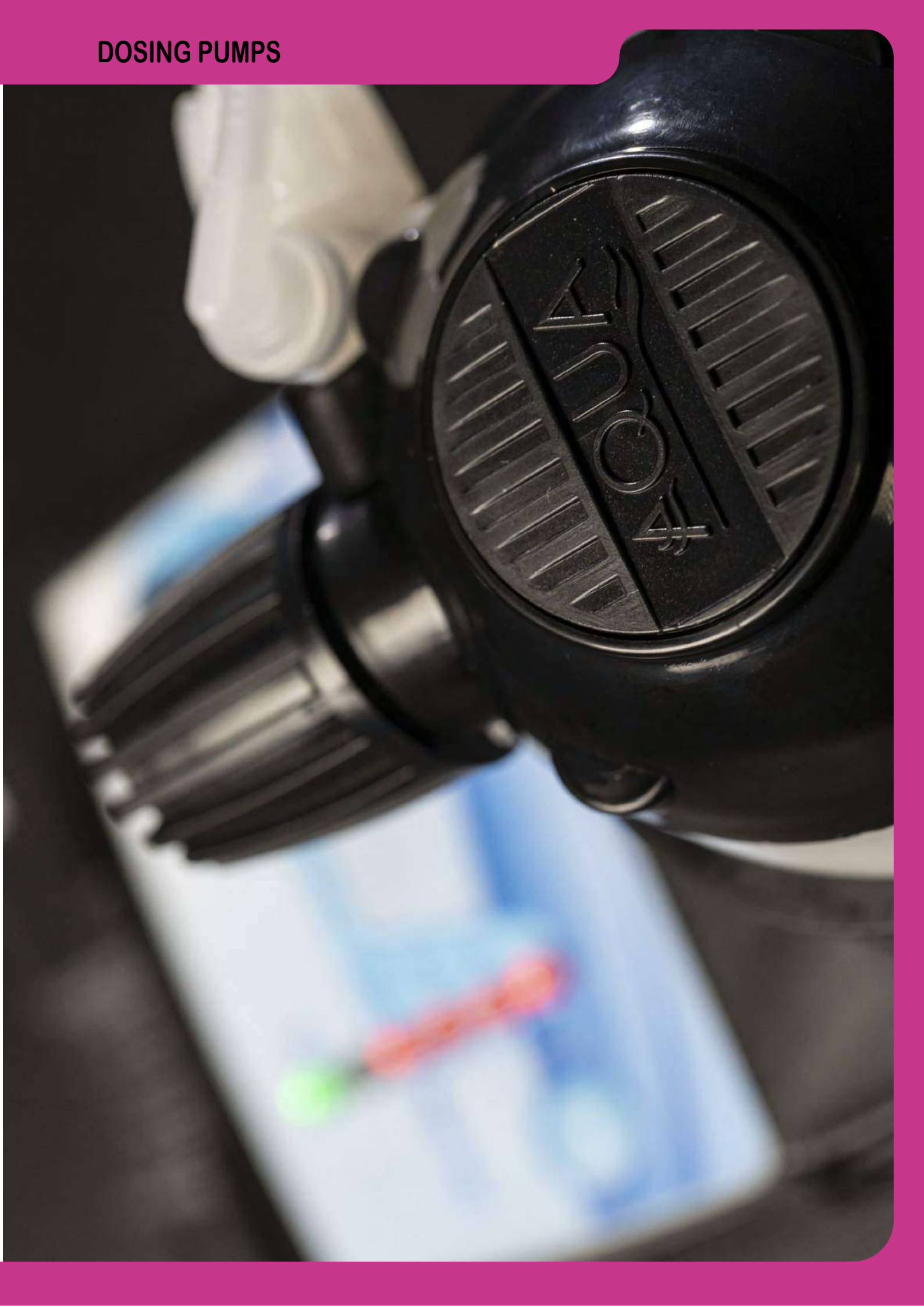
Y0116



Y0302



DOSING PUMPS



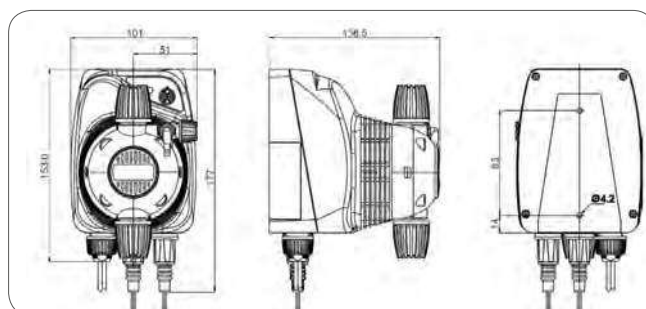
DOSING PUMPS

FIXED PULSE DOSING PUMPS

HC 150		The HC 150 cylindrical solenoid metering pump is ideal for dosing chemical products in small quantities. Easy to assemble. Nonly housing. Analog control. Two-color led and adjustment knob included. Double frequency adjustable, double regulation range with switch, 100%-20% adjustment. With and without level probe. IP65 protection class.	
CODE	MODEL	CAPACITY (L/h)	BAR
AD95002200000	HC 150 03-12	3	12
AD950032000LC	HC 150 0,5-07	0,5	7
AD950022100LC	HC 150 03-12 Plus Plus	3	12



TECHNICAL SPECIFICATIONS	Standard Version	Optional
Pump head	PP 1/2" 4x6	PVDF
Pump housing	PP	-
Diaphragm	PTFE	-
Balls	PYREX	PTFE-Ceramic
Body valve	PP	PVDF
O-rings	Viton®	Dutral®
Injection valve	Hastelloy-Pyrex	Hallestoy-PTFE-Ceramic
Injection fittings	PP	PVDF
Foot valve	PP	PVDF
Power	230V	110V



FLOW RATES

Model	Flow (L/h)	Pressure (bar)	Flow (L/h)	Pressure (bar)	Flow (L/h)	Pressure (bar)
05-07	0,5	7	0,7	5	1,5	1
03-12	3	12	4	10	5	8
02-20	2	20	2,5	18	3	15

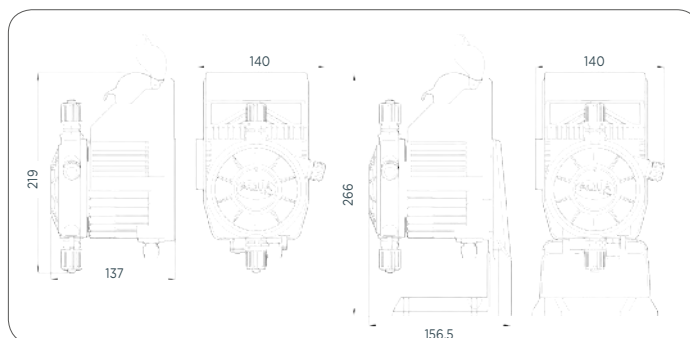
HC 100		Solenoid dosing pump with constant flow rate. Dosage adjustment with button. Double frequency adjustment, double regulation range with switch, 100%-20% adjustment with one button. Analog control. On-Off button. Manual feed valve. Green light indicates pump on, red light indicates dosing. IP65 protection class.	
CODE	MODEL	CAPCAITY (L/h)	BAR
AD10005080000000	HC 100 05-08	5	8
AD10005080P04000	HC 100 05-08 Plus Plus	5	8
AD10002120000000	HC 100 02-12	2	12



HC 100 12 VDC		Dual frequency adjustable, 100% - 20% adjustment with one button, analog control, IP 65 protection class, compatible with solar panels 12vdc., 14 watts.	
CODE	MODEL	CAPACITY (L/h)	BAR
AD1000207D0000000	HC 100 02-07	2	7



TECHNICAL SPECIFICATIONS	Standard Version	Optional
Pump head	PP 3/8" 4x6	PVDF/PVC
Pump housing	PP	-
Diaphragm	PTFE	-
Balls	PP	PTFE-Ceramic
Body valve	PP	PVDF
O-rings	Viton®	Dutral®
Injection valve	HHastelloy-Pyrex	Hallestoy-PTFE-Ceramic
Injection fittings	PP	PVDF
Foot valve	PP	PVDF
Power	230V	110V-12VDC-24VDC



Flow (L/h)

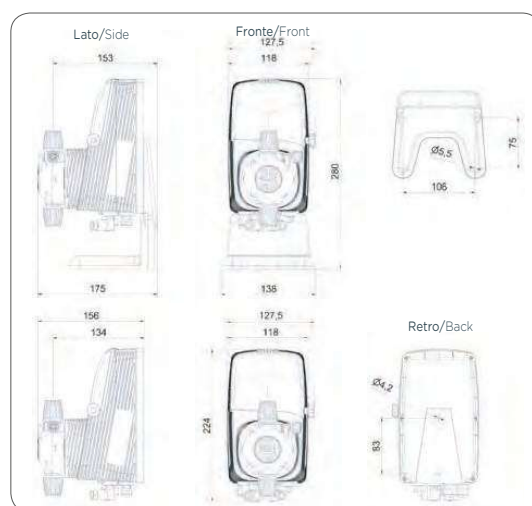
Model	Flow (L/h)	Pressure (bar)	Flow (L/h)	Pressure (bar)	Flow (L/h)	Pressure (bar)
05-08	5	8	7	4	10	1
02-12	2	12	4	6	8	1
02-07	2	7	5	3,5	8	1

DOSING PUMPS

HC 151+ CST		Dosing pump with constant flow rate. Dosage adjustment with button. Double frequency adjustment, double regulation range with switch, 100%-20% adjustment with one button. Analog control. On- Off switch. Manual feed valve. Green light indicates pump on, red light indicates dosing. IP65 protection class.	
CODE	MODEL	CAPACITY (L/h)	BAR
ADA1001201000	M60	1	7
		3	7
		5,5	6
ADA1002201000	M70	1,8	20
		4	12
		14	1
ADA1001320100	M80	4	20
		6,5	12
		13,5	5



TECHNICAL SPECIFICATIONS	Standard Version
Pump head	PP
Pump housing	PP
Diaphragm	PTFE
Balls	Pyrex
Body valve	1/2"-PP
O-rings	FPM Viton®
Injection valve	Hastelloy-Pyrex
Injection fittings	PP-4x6
Foot valve	PP
Power	100÷240 VAC 50/60 Hz



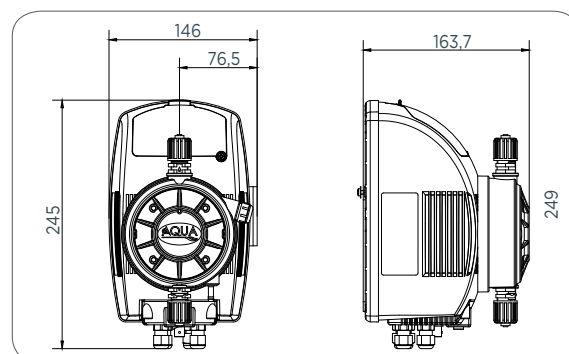
FLOW RATES

Model	Flow (L/h)	Pressure (bar)	Flow (L/h)	Pressure (bar)	Flow (L/h)	Pressure (bar)
M60	1	7	3	7	5,5	6
M70	1,8	20	4	12	14	1
M80	4	20	6,5	12	13,5	5

HC 899		Dosing pump with constant flow rate. Easy to adjust. Cylindrical solenoid. Norly body. Level probe input connection. Suitable for high temperature environment and chemicals with high resistance PBT body. Dual frequency adjustable. 0-100% or 0-20%. Analog control. On-Off switch. Manual air discharge for fast suction. IP65 protection class.	
CODE	MODEL	CAPACITY (L/h)	BAR
AD98001000000	HC 899 / 1	10	10
		12	8
		14	5
AD98002000000	HC 899 / 2	5	20
		4,5	18
		5	15
AD98003000000	HC 899 / 3	20	5
		25	3
		35	1
AD980040Y0000	HC 899 / 4	35	2
		45	1
		50	0,5



TECHNICAL SPECIFICATIONS	Standard Version Model 1-2-3	Standard Version Model 4	Optional
Pump head	PP 1/2"	PVC 1/2"	PVDF (Model 1-2-3)
Pump head	PBT	PBT	-
Pump head	PTFE	PTFE	PTFE
Balls	PYREX	PYREX	PTFE
Body valve	PP	PVC-PP	PTFE-Seramik
O-rings	Viton®	Viton®	Dutral®
Injection valve	Hastelloy-Pyrex	Hastelloy-Pyrex	Hallestoy-PTFE
Injection fit tings	PP	PVC-PP	PVDF (Model 1-2-3)
Foot valve	PP	PVC-PP	PVDF
Power Supply	230V	230V	110V
Pipe	4x6 4x6/6x8 (Model3)	10x14	



FLOW RATES

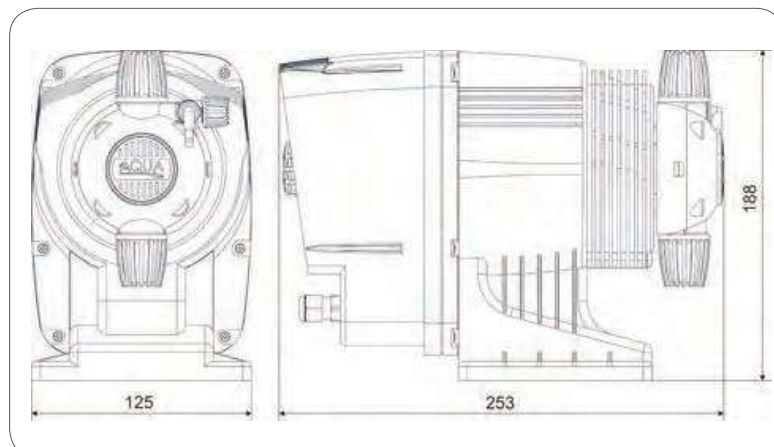
FLOW RATES

Model	Flow (L/h)	Pressure (bar)	Flow (L/h)	Pressure (bar)	Flow (L/h)	Pressure (bar)
1	10	10	12	8	14	5
2	5	20	4,5	18	5	15
3	20	5	25	3	35	1
4	35	2	45	1	50	05

HC 200+ MULTIFUNCTIONAL		Pump with constant and proportional dosing. High flow rate. Mechanical start adjustment. Adjustable stroke volume. Compatible level probe. Constant flow rate 0-100%. Alarm level. Microprocessor technology, digital control, LCD display. Level probe input connection (low level probe and connector not included). IP65 protection class.	
CODE	MODEL	CAPACITY (L/h) (Flow)	BAR (Pressure)
ADA22023A2000	HC 200+	1,8	20
		4	1
		4	1,2
		7	1
		5,8	9
		1,4	1

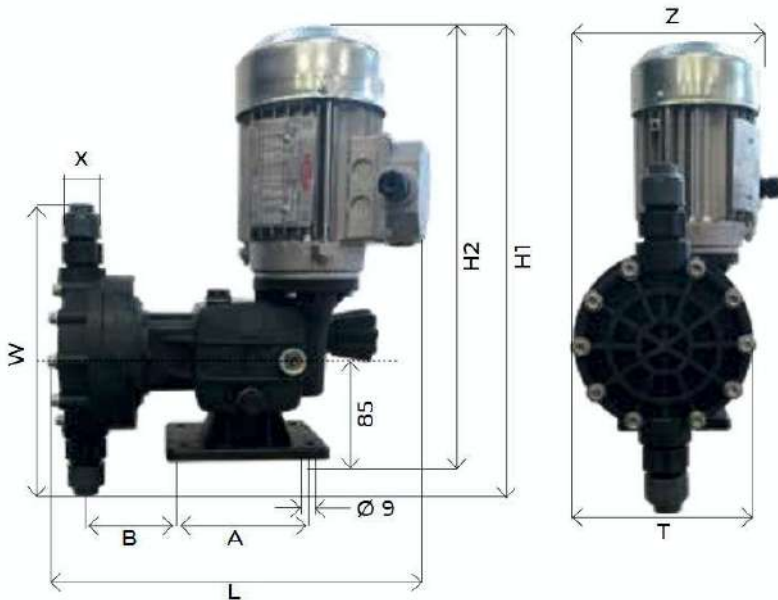


TECHNICAL SPECIFICATIONS	Standard Version
Pump head	PVDF
Pump housing	PP
Diaphragm	PTFE
Balls	Ceramic
Body valve	1/2" - PVDF
O-rings	FPM Viton®
Injection valve	Hastelloy-Pyrex
Injection fittings	PVDF - 4x6
Foot valve	PVDF
Power supply	100÷240 VAC 50/60 Hz



MOTOR CONTROLLED PUMPS

AM.DI PVC MOTOR CONTROLLED		The new Aqua Motor Controlled Dosing Pumps provide highperformance. Very precisely adjustable and doses the right chemical. Manual adjustment knob controlling 0-100% flow rate. 10 mm stroke Length. Three phase. Standard power supply 3 phase 230/400 V50/60 Hz. IP55. Pump Head PVC. Diaphragm PTFE-NBR. Piston seals VITON. Ball valve PYREX. Valve seals VITON. Inlet-Outlet; AM.DI.80and AM.DI.180 FG 1/2", AM.DI.360 FG 3/4"	
CODE	MODEL	CAPACITY (L/h)	BAR
MSB0065FF00000	AM.DI.65	65	8
MSB0105FF00000	AM.DI.105	105	8
MSB0250FF00000	AM.DI.250	250	8



	T	Z	H1	H2	A	B	L	W
PP	138	163	386	340	110	88	312	260
PVDF	135	161	366	340	110	83	309	220
AISI316L/S.S.316L	135	161	359	340	110	83	306	205

X-Conessioni/X-Connections	GAS	NPT
Testata in PP/PP pump-head	3/8"	1/2"
Testata in PVDF/PVDF pump-head	3/4"	1/2"
Testata in AISI316L/S.S.316L pump-head	3/8"	1/2"

FLOW RATES

Model	Flow (L/h)	Pressure (bar)	Flow (L/h)	Pressure (bar)	Flow (L/h)	Pressure (bar)
AM.DI.65	65	8	65	3	100	0
AM.DI.105	105	8	105	3	200	0
AM.DI.250	250	8	250	3	400	0

DOSING PUMPS

AIR DIAPHRAGM DOSING PUMPS

SANTOPREN DIAPHRAGM DOSING PUMPS		Air diaphragm dosing pumps.	
CODE	MODEL	CONNECTION	CAPACITY (L/h)
ADHS00014	HDS014	1/4"	0-16
ADHS00012	HDS012	1/2"	0-58
ADHS00100	HDS100	1"	0-160
ADHS00150	HDS150	1,5"	0-400
ADHS00200	HDS200	2"	0-565
ADHS00300	HDS300	3"	0-894

PVDF DIAPHRAGM DOSING PUMPS		Air diaphragm metering pumps.	
CODE	MODEL	CONNECTION	CAPACITY (L/h)
ADHT00014	HDT014	1/4"	0-16
ADHT00012	HDT012	1/2"	0-58
ADHT00100	HDT100	1"	0-160
ADHT00150	HDT150	1,5"	0-400
ADHT00200	HDT200	2"	0-565
ADHT00300	HDT300	3"	0-894

TECHNICAL SPECIFICATIONS

Suction Height	6-8 m
Pump Body	PP
Injection Distance	0-48 mss



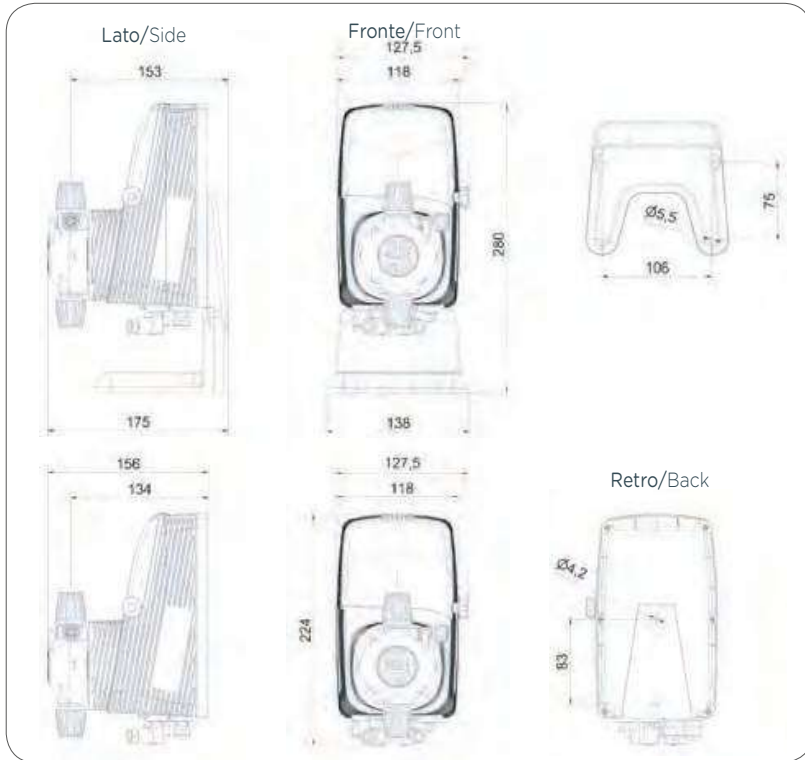
FLOW CONTROLLED DOSING PUMPS

HC 151+ P-I		Multifunctional solenoid digital dosing pumps. Controllable by digital impulse. Electronic frequency adjustment. Microprocessor technology. Dosing mode selectable as constant and proportional. Reinforced PP body suitable for aggressive working environments. Input; level probe, standby, flow sensor, injection. Output; alarm and dosing relay. Statistics. Password. Selectable language and unit of measure. Calibration flow rate. Simplified setting with user menu. Alphanumeric display, 2 lines of 16 characters to facilitate pump management during operating mode and program. Power 230V, 110V on request. IP65 protection class. Manual 75 l discharge valve. Ability to use as a timer pump.	
CODE	MODEL	CAPACITY (L/h) (Flow)	BAR (Pressure)
ADA11023A2000	HC 151+ P-I	1,8	20
		4	1
		4	12
		7	1
		5,8	9
		14	1



TECHNICAL SPECIFICATIONS	Standard Version
Pump head	PVDF
Pump housing	PP
Diaphragm	PTFE
Balls	Ceramic
Body valve	1/2" - PVDF
O-rings	Viton®
Injection valve	Hastelloy-Pyrex
Injection fittings	PVDF - 4X6
Foot valve	PVDF
Power	100÷240VAC 50/60 Hz

DOSING PUMPS

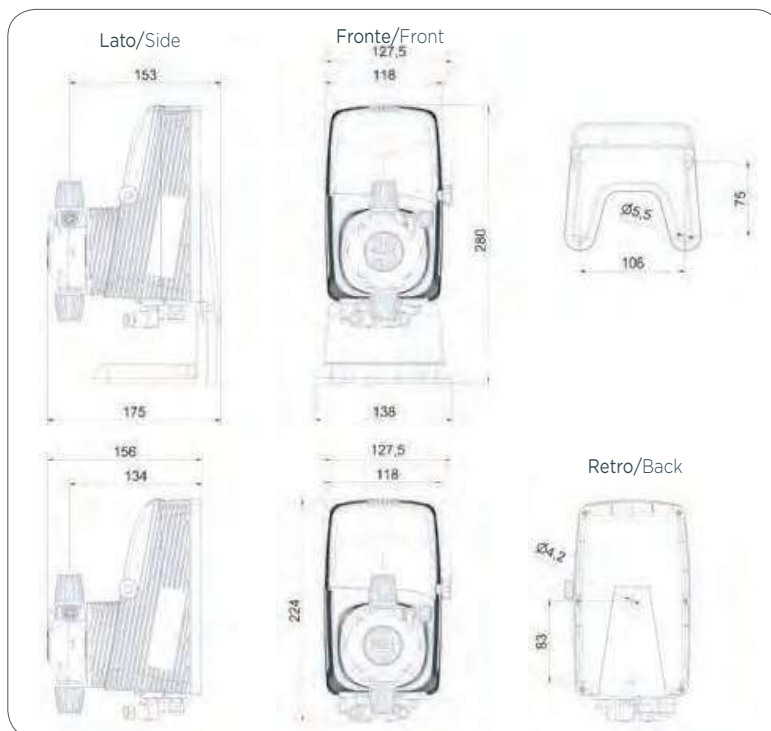


SIGNAL CONTROLLED PUMPS

HC 151+ mA		Multifunctional solenoid digital dosing pumps. Controllable by digital impulse. Electronic frequency adjustment. Microprocessor technology. Dosing mode selectable as constant and proportional. Reinforced PP body suitable for aggressive working environments. Input; level probe, standby, flow sensor, injection. Output; alarm and dosing relay. Statistics. Password. Selectable language and unit of measure. Calibration flow rate. Simplified setting with user menu. Alphanumeric display, 2 lines of 16 characters to facilitate pump management during operating mode and program. Power 230V, 110V on request. IP65 protection class. Manual discharge valve. Ability to use as a timer pump.	
CODE	MODEL	CAPACITY (L/h) (Flow)	BAR (PRESSURE)
ADA11023A2000	HC 151+ mA	1,8	20
		4	1
		4	12
		7	1
		5,8	9
		14	1



TECHNICAL SPECIFICATIONS	Standard Version
Pump head	PVDF
Pump housing	PP
Diaphragm	PTFE
Balls	Ceramic
Body valve	1/2" - PVDF
O-rings	Viton®
Injection valve	Hastelloy-Pyrex
Injection fittings	PVDF - 4X6
Foot valve	PVDF
Power	100+240VAC 50/60 Hz



DOSING PUMPS

PH CONTROLLED PUMPS

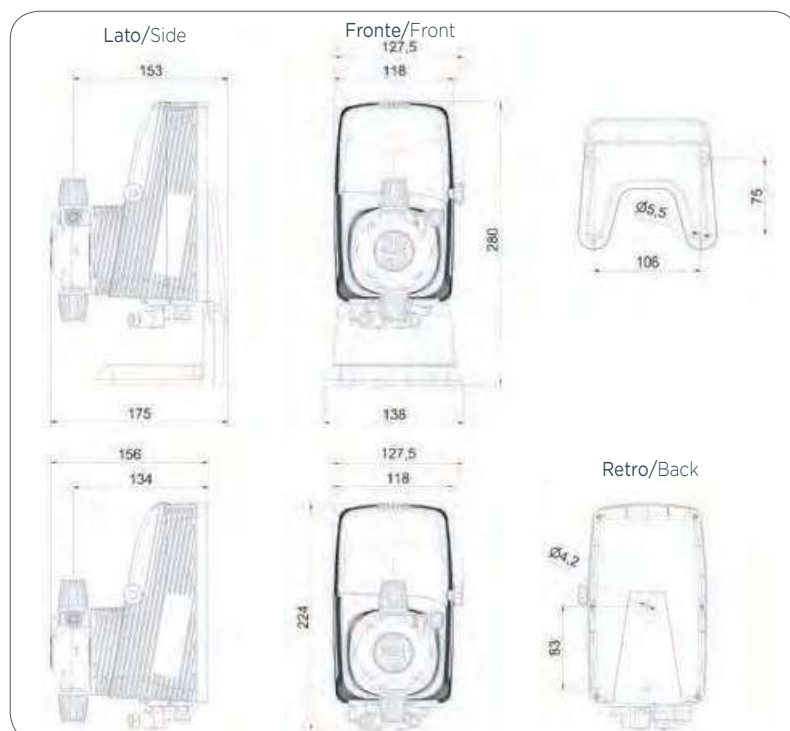
HC 151+ pH		Combined with pH meter. 0-14 pH range. Digital control and digital display. Electronic frequency. Microprocessor technology. 110-230 Vac. IP65 protection class. Password protection. Statistics. Turkish menu. Ability to increase capacity by connecting a booster pump with relay output. Produced with flow sensor and level probe output.	
CODE	MODEL	CAPACITY (L/h) (Flow)	BAR (Pressure)
ADA13023A2000	HC 151+ pH	1,8	20
		4	1
		4	12
		7	1
		5,8	9
		14	1



HC 151+ pH SET		Set: Combined with pH meter. 0-14 pH range. Digital control and digital display. Electronic frequency. Microprocessor technology. 110-230 Vac. IP65 protection class. Password protection. Statistics Manufactured with flow sensor and level probe output. 5m pH electrode, in-line electrode holder A-psl, calibration fluids included in the price.	
CODE	MODEL	CAPACITY (L/h) (Flow)	BAR (Pressure)
AD96202H0000P	HC 151+ pH Set	1,8	20
		4	1
		4	12
		7	1
		5,8	9
		14	1



TECHNICAL SPECIFICATIONS	Standard Version
Pump head	PVDF
Pump housing	PP
Diaphragm	PTFE
Balls	Ceramic
Body valve	1/2" - PVDF
O-rings	FPM
Injection valve	Hastelloy-Pyrex
Injection fittings	PVDF - 4X6
Foot valve	PVDF
Power supply	100÷240VAC 50/60 Hz



DOSING PUMPS

ORP / RX CONTROLLED DOSING PUMPS

HC 151+ Rx		Combined with Rx meter. 0-1500 mV measurement range. Digital control and relay output with digital display to increase capacity by connecting a booster pump. Electronic frequency adjustment, microprocessor technology, 110-230 Vac. IP65 protection class. Password protection. Statistics. Flow sensor and level probe output.	
CODE	MODEL	CAPACITY (L/h) (Flow)	BAR (Basınç)
ADA13023A2000	HC 151+ Rx	1,8	20
		4	1
		4	12
		7	1
		5,8	9
		14	1

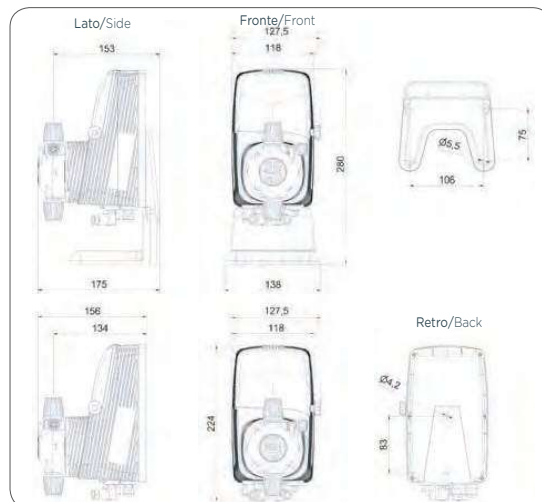


HC 151+ Rx SET		Set: Combined with Rx meter. 0-1500 mV measurement range. Digital control and digital display. Electronic frequency adjustment, microprocessor technology, 110-230 Vac. IP65 protection class. Password protection. Statistics. Flow sensor and level probe output.	
CODE	MODEL	CAPACITY (L/h) (Flow)	BAR (Pressure)
AD96202H0000R	HC 151+ Rx Set	1,8	20
		4	1
		4	12
		7	1
		5,8	9
		14	1



- 5m Rx electrode, in-line electrode holder A-psl, calibration fluids included in the price.

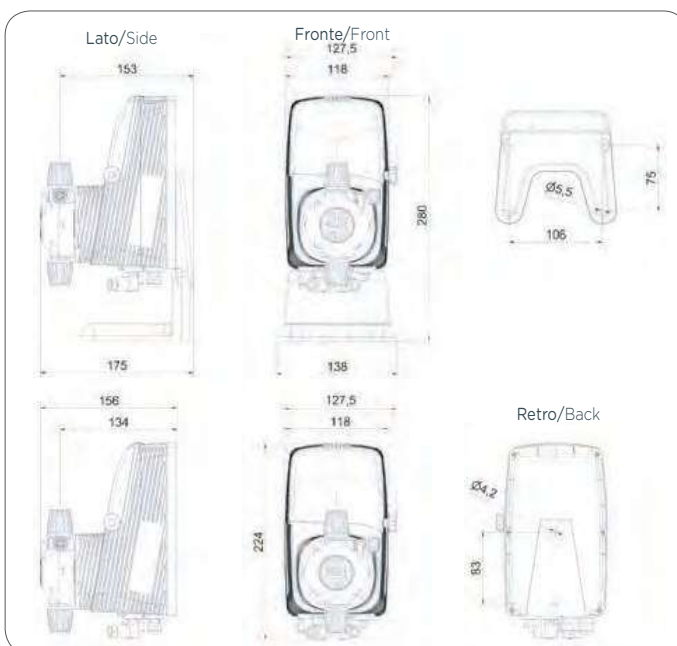
TECHNICAL SPECIFICATIONS	Standard Version
Pump head	PVDF
Pump housing	PP
Diaphragm	PTFE
Balls	Ceramic
Body valve	1/2" - PVDF
O-rings	FPM
Injection valve	Hastelloy-Pyrex
Injection fittings	PVDF - 4X6
Foot valve	PVDF
Power supply	100÷240VAC 50/60 Hz



HC 151+ MULTI		Chlorine dosing in ppm	
CODE	MODEL	CAPACITY (L/h)	BAR (PRESSURE)
ADA12013A2000	M60	1	7
		3	7
		5,5	6
ADA12023A2000	M70	1,8	20
		4	12
		14	1
ADA12033A2000	M80	4	20
		8	12
		15,5	5



TECHNICAL SPECIFICATIONS	Standard Version
Pump head	PVDF
Pump housing	PP
Diaphragm	PTFE
Balls	Ceramic
Body valve	1/2" - PVDF
O-rings	FPM
Injection valve	Hastelloy-Pyrex
Injection fittings	PVDF - 4X6
Foot valve	PVDF
Power supply	100÷240VAC 50/60 Hz



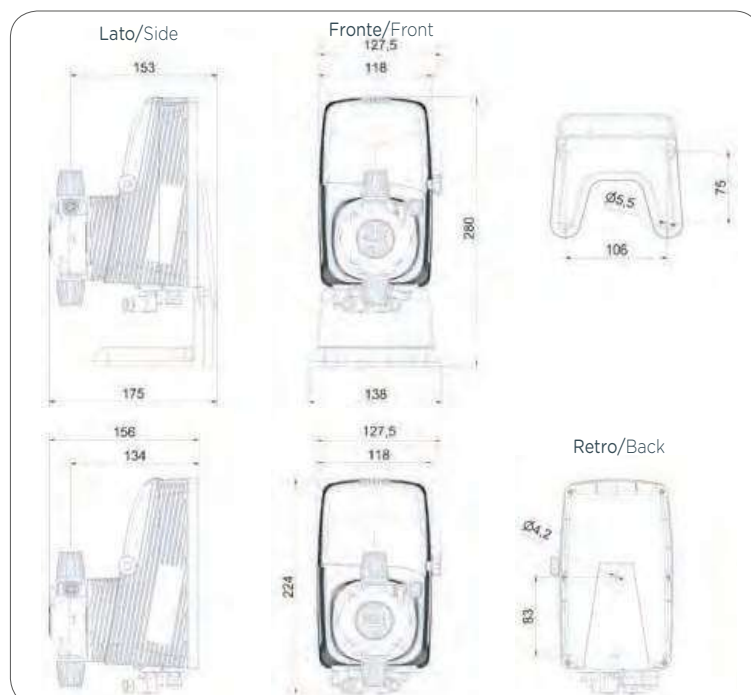
DOSING PUMPS

PPM CONTROLLED DOSING PUMPS

HC 151+ CL		Chlorine dosing in ppm.	
CODE	MODEL	CAPACITY (L/h)(Flow)	BAR (Pressure)
ADA14023A2000	HC 151+ CL	1,8	20
		4	1
		4	12
		7	1
		5,8	9
		14	1



TECHNICAL SPECIFICATIONS	Standard Version
Pump head	PVDF
Pump housing	PP
Diaphragm	PTFE
Balls	Ceramic
Body valve	1/2" - PVDF
O-rings	FPM
Injection valve	Hastelloy-Pyrex
Injection fittings	PVDF - 4X6
Foot valve	PVDF
Power supplyGüç	100÷240VAC 50/60 Hz



FREE CHLORINE MEASUREMENT SYSTEMS

FREE CHLORINE MEASUREMENT SYSTEM (ppm meter panel)		Panel mounted free chlorine measurement and control system. Free chlorine meter in ppm with 4-20 mA output, on-demand flow sensor and level measurement kit. Statistics and password protection. Ready to install set with free chlorine measuring probe and bottom drain pre- filter. Flow meter, pressure reducer and manometer included in the package. Inter-system assembly is made.
CODE	MODEL	
ADECLAG2P	AE-CL+ACG2 Panel Set	



pH, RX, FREE CHLORINE, CONDUCTIVITY PROBE		
CODE	MODEL	DESCRIPTION
ADELTPH05	A-pH 5	pH electrodes, 5m cable
ADELTPH10	A-pH 10	pH electrodes, 10m cable
ADELTRX05	A-Rx 5	Rx electrodes, 5m cable
ADELTRX10	A-Rx 10	Rx electrot, 10m kablolu
Y0366	pH-Rx extension	pH/Rx extension with BNC socket, 10m cable
ADPACDK1A	PACD K1	Conductivity probe, 3m cable 0-20000 S/cm. Stainless tip. PVC housing
ADPACDK5A	PACD K5	Conductivity probe, 3m cable, 0-200 / 0-2000 S/cm. Stainless tip. PVC housing.
ASPACDK10A	PACD K10	Conductivity probe, 3m cable, 0-50 S/cm. Stainless tip. PVC housing.
ADCG2	A-CG2	Amperometric chlorine probe, 0-5 ppm, max 8 bar, 40-50 L/h (copper-platinum)
ADCG5F	A-CG5	Amperometric chlorine probe, 0-5 ppm, fil teR and flow sensor (copper-platinum)
ADELCLJ05	A-J	Free chlorine probe, 0-5 ppm, inorganic
ADELDCJ10	A-J	Chlorine dioxide probe
ADEL02J10	A-J	Ozone probe 0-5 ppm



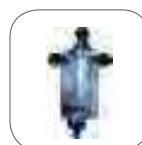
ADELTPH05
ADELTRX05



Y0366



ADPACDK1A



ADCG2



A-J

DOSING PUMPS

FLOW SENSOR		Stops the pump when there is no flow. Optional. Combined with HC 151, AR-10 and AE-Start.
CODE	MODEL - DESCRIPTION	
ADSF2	A-SP – Flow Sensor	
ADSP3600004	A-SP – Flow Sensor Chamber	



ADSF2

EQUA VOLTAGE REGULATOR		It is used to stabilize the voltage from the mains.	
CODE	MODEL	INPUT	OUTPUT
Y0262	EQUA GR	1150 – 260 V ~ 1 A	220 V ~ 1 A



LEVEL SENSORS		
CODE	MODEL	DESCRIPTION
ADSLG1	A-SL	Low chemical level sensor, 2m cable. Without socket.
ADSLG	A-SL	Low chemical level sensor, 2m cable. With socket.
ADSLG4	A-SL	Low chemical level sensor with 2m cable. BNC
ADLASN2A00	A-LANS1 Suction kit DT	No need to use a chlorine tank. Level sensor and chemical suction valve included. 35cm height. Without socket.
ADLASN20C0	A-LANS1 Suction kit DT	No need to use a chlorine tank. Level sensor and chemical suction valve included. 49cm height. Without socket.
ADLASN10C0	A-LANS1 Suction kit DT	No need to use a chlorine tank. Level sensor and chemical suction valve included. 70cm height. With socket.
ADLASM2A01	A-LANS2 Suction kit DT	Low chemical check valve sensor 8x12



ADSLG1



ADSLG



ADSLG4



ADLASN10C0

ELECTRODE HOLDER		
CODE	MODEL	DESCRIPTION
ADPSD	A-PSV	Off-line electrode holder, for 3 electrodes (housing) for pH, Rx, Cd probes, grounded
ADPST	A-PSL 1/2	In-line electrode holder, PP, connection 1/2"
APSD	A-PSD1	Immersion type electrode holder. 1200mm.(A-PSL not included in the price)



ADPSD



ADPST



APSD

AQUA KID		Serves as an off-line, single electrode holder when combined with A-PSL.
CODE	MODEL - DESCRIPTION	
A1010140	5" length and 1/2 "F connection as upper head and lower cup. Can be used as a single electrode holder.	



CALIBRATION LIQUIDS		
CODE	MODEL	DESCRIPTION
ADSPH4	A-SpH4	pH 4 calibration liquid - 50 cc
ADSPH7	A-SpH7	pH 7 calibration liquid - 50 cc
ADSPH9	A-SpH9	pH 9 calibration liquid - 50 cc
ADSRX	A-SRX	4475 mV calibration liquid - 50 cc
ADSCD1	A-SCD	0-2000 S calibration liquid - 50 cc
ADSCD	A-SCD	0-80 µS kalibrasyon sıvısı - 50 cc



PUMP LEG		
CODE	MODEL	DESCRIPTION
ADBAS100	A-BS1	HC 100 pump leg - above tank
ADBAS300	A-BS3	HC 300 pump leg - above tank



ADBAS100



ADBAS300

DOSING PUMPS

TUBING HOSE		
CODE	MODEL	DESCRIPTION
ADSP6000012	PE TUBING	Tubing hose 4x6 (200 meter)
ADSP6000010	PVC TUBING	Tubing hose 4x6 (100 meter)
ADSP6000016	PE TUBING	Tubing hose 8x10 (50 meter)



DOSING PUMP ACCESSORIES	
CODE	MODEL - DESCRIPTION
ADSP6020143	Wall mount (HC100 model)
ADSP6000001	Suction valve, foot filter PP, viton LIP valve 4x6 tubing (1L-18L)
ADSP6010006	Suction valve, foot filter PP, viton LIP valve 10x14 tubing (30L- 50L)
ADSP5005006	Check valve over head S/D double 3/8", viton, PP 4x6 (1L-18L)
ADSP5005006A	Check valve over head S/D double 3/8", viton, PTFE 4x6 (1L- 18L)
ADSP90005010	Check valve over head, viton (HC 150-151-200)
ADSP9005P10	Check valve over head, PTFE (HC 150-151-200)
ADSP6200007	HLine compression, ball injection valve 1/2" - PP (1L-18L)
ADSP6000004	Line compression, injection valve echo 3/8" viton PP 4x6 (1L- 18L)
ADSP6100051	Line compression, injection valve 1/2" - 10x14 PVC (30L-50L)
ADSP5001001	S/D viton LIP valve 3/8" (1L-18L), replacement for suction valve inside
ADSP5001002	S/D viton LIP valve 1/2" (30L-50L), replacement in suction valve



ADSP6000001
ADSP6010006



ADSP5005006
ADSP5005006A



ADSP6200007
ADSP6000004
ADSP6100051

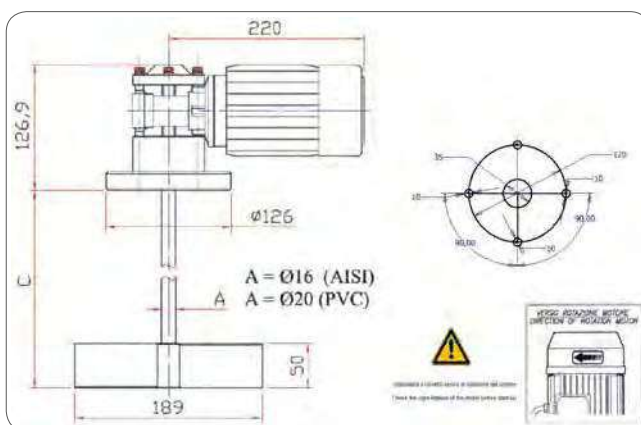
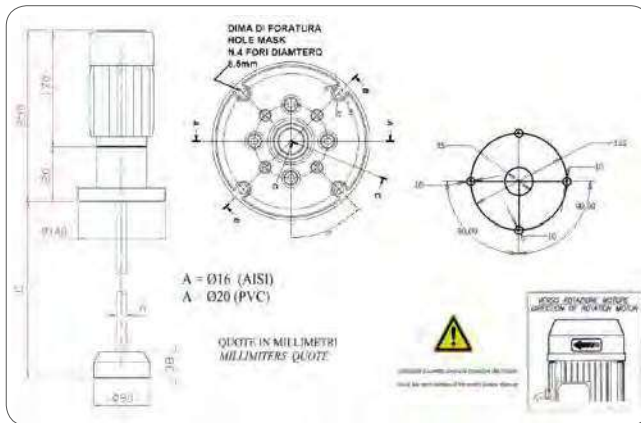
CHEMICAL TANK	
CODE	DESCRIPTION
Y0031	Chlorine Tank / Degrees on it / 100 LT

Made of polyethylene material



MIXERS

AQUA MIKSER		AQUA Mixers are designed for mixing liquid products. All mixers can be installed in AQUA chemical tanks from 100 to 1000 liters. They are easy to install and maintain. There are two shaft versions available: Stainless steel (AISI 316) and PVC coated. The prices indicated are valid for the PVC coated shaft.	
CODE	MODEL	DESCRIPTION	MILES LONG. MIXER
ADAG3P06F	AG3-PVC60/F	Aqua Mixer Three Phase 380 V / 50 Hz / 0.12 HP - Fast	60 cm / 1400 rpm
ADAG3P09F	AG3-PVC90/F	Aqua Mixer Three Phase 380 V / 50 Hz / 0.12 HP - Fast	90 cm / 1400 rpm
ADAG3P06S	AG3-PVC60/S	Aqua Mixer Three Phase 380 V / 50 Hz / 0.12 HP - Slow	60 cm / 70 rpm
ADAG3P09S	AG3-PVC90S	Aqua Mixer Three Phase 380 V / 50 Hz / 0.12 HP - Slow	90 cm / 70 rpm



AQUA MANUEL MIXER		60 cm manual mixer with PVC shaft.	
CODE	MODEL	DESCRIPTION	
ADAGMP06	AG- MAN-PVC60	60 cm manual mixer with PVC shaft	

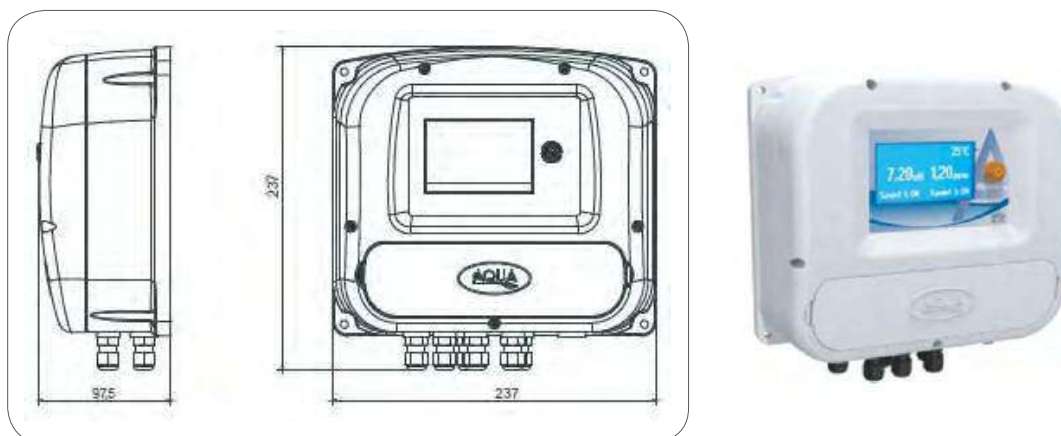


DOSING PUMPS

MEASUREMENT DEVICES

AE - 10 MEASUREMENT DEVICES	Wall-mounted measuring instruments. Digital, LCD display with control backlight, 2 set points 4-20 proportional output, pt 100 temperature probe, input for level and flow probes, program protection with password, quick setting menu and control of last calibration setting, statistics.
CODE	MODEL - DESCRIPTION
ADES1PHRX	AE-10 pH or A-E 10 Rx pH or Rx, pH range 0-14, measurement range 0-1500mV.
ADES1CL	AE-10 CL 0-10ppm chlorine measurement range, compatible with ACG2 probe or A-J.
ADESCD	AE-10 CD 10-2000 microsiemens (k5); 100-20000 microsiemens (k1).
ADES2PHRX	PH+RX+T
ADES2PHCD	PH+CD+T

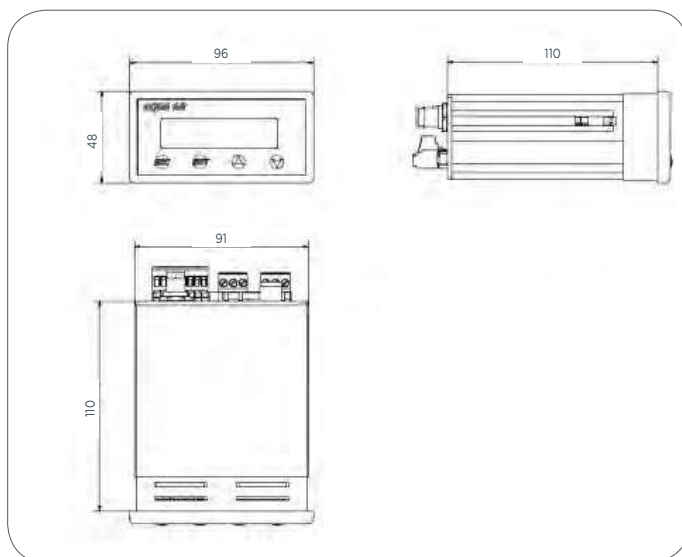
•Probes, sensors, calibration fluids are not included in the price.



Model	pH/Rx	CL	CD
Scale	0-14.00 pH/±1.500 mV	0-2.00/5.00/10.00/20.00 ppm	0-2-5-10-20-200 ppm
Scale	±0.01 pH/±1 mV	±0.01 ppm	0.01-1 ppm
Current output	Programmable 0/4-20 mA Proportional - 400 Ω max - galvanically separated		
Relay 1 Output	At setpoint 1, free contact-10 A max operating mode-ON-OFF, Proportional or Time/Pause Mode		
Relay 2 Output	At setpoint 2 or alarm, free contact-10 A max operating mode-ON-OFF, Proportional or Time/Pause Mode (if setpoint 2)		
Screen	Backlit LCD display, 2 lines x 16 characters (128x64)		
Control	4-key keypad		
Temperature	Manual or automatic temperature correction with PT100 sensor		
Delay/Interruption	Selectable for each setpoint		
Alarm	Measurement, measurement invariance, OFA, level, each alarm can be set on 2 relays		
Power Supply	80 – 265 VAC		
Consumption	3 Watt		
Packaging	IP54 wall mounting		
Weight	800 gr		

AR-10 MEASUREMENT DEVICES	Digital control, illuminated, LCD display, 2 set points 4-20 proportional output, pt 100 temperature probe, input for level and flow probes, program protection with password, quick setup menu and check of last calibration setting, statistics.
CODE	MODEL - DESCRIPTION
ADRS10PHRX	AR - 10pH veyá AR - 10Rx pH or Rx ,pH range 0-14, measurement range 0-1500mV.
ADRS10CL	AR - 10CL 0-10ppm chlorine measurement range, € 452,35 compatible with ACG2 probe
ADRS10CD	AR-10 CD 5-2000 microsiemens (k5); 100-20000 microsiemens (k1).

• Probes, sensors, calibration fluids are not included in the price.



DOSING PUMPS

Model	pH/Rx	CL	CD
Scale	0-14.00 pH/±1.500 mV	0-10 ppm	0-2-5-10-20-200 ppm
Scale	±0.01 pH/±1 mV	±0.01 ppm	0.01-1ppm
Current output	Programmable 0/4-20 mA Proportional output - 400 Ω max - galvanically separated		
Relay 1 Output	Setpoint at value 1, free contact-10 A max operating mode-ON-OFF, Proportional, Pause/Time		
Relay 2 Output	At setpoint 2 or alarm, free contact-10 A max operating mode-ON-OFF, Proportional or Time/Pause Mode (if setpoint 2)		
Screen	Backlit LCD display, 2 lines x 16 characters		
Control	4-key keypad		
Temperature	Manual or automatic temperature correction with PT100 sensor		
Delay/Interruption	Selectable for each setpoint		
Alarm	Measurement, measurement invariance, OFA, level, each alarm can be set on 2 relays		
Power Supply	80 – 265 VAC		
Consumption	3 Watt		
Packaging	Hanger 48x96		
Weight	350 gr		

TOWER - BOILER WATER DOSING SYSTEMS

TOWER BLOWOFF SYSTEM		Conductivity measurement and control device. Measurement range 0- 20000 µS. 2 set points and 2 ON-OFF outputs. 4-20 mA output for data logger. LCD display. Temperature compensation 0-100°C. Conductivity probe. Probe holder housing. Aqua 10" AP Easy bottom blow-off filter housing. 80 micron washable plastic filter. Calibration fluid. Password protection. Statistics. Flow sensor on demand. Drain valve not included in the price, selected according to line diameter.
CODE	MODEL	
AECDK1E	Aqua Easy	



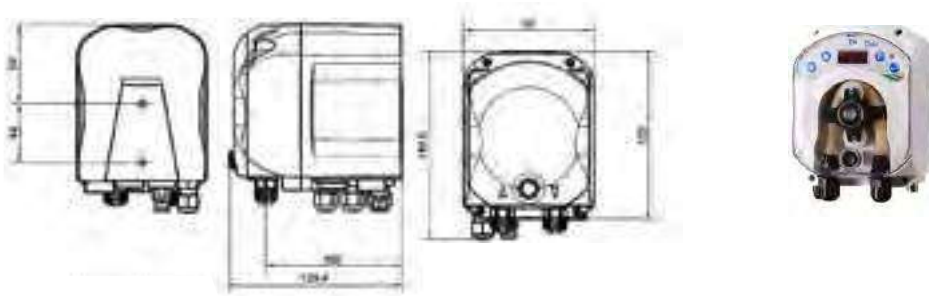
TOWER WATER CONDITIONING SYSTEM		<p>BLOW-OFF WITH CONDUCTIVITY CONTROL: Microprocessor technology, Digital controls and display, measuring range 0-20000 µS. 2 set point outputs. 4-20 mA. Automatic temperature compensation. PH CONTROLLED: HC 151 pH 06.0 Controlled Dosing Pump, password protected, with flow sensor input, statistics feature, pH electrode, probe, probe holder housing, 0-14 pH measurement range TIME CONTROLLED BIOCID PUMP. AQUA HC 151 06.06 TIME CONTROLLED DOSING PUMP. Password protected, with flow sensor input, statistics feature, mounted on the panel, with bottom discharge filter container. Automatic pre-filter flushing module on demand. Drain valve is not included in the price, selected according to line diameter.</p>	
CODE	MODEL	CAPACITY (L/h)(Flow)	BAR (Pressure)
AECDK1P	Aqua Pro	1,8	20
		4	1
		4	12
		7	1
		5,8	9
		14	1



POOL CHEMICAL DOSING SYSTEMS

PERISTALTIC pH and Redox CONTROLLED DOSING PUMPS		<p>Power 230V Consumption 45 Watt (Max.), Santoprene pH: pH controlled automatic dosing pump set (simpool+pH electrode+electrode holder+calibration liquid) Rx: Rx controlled automatic dosing pump set (simpool+Rx electrode+electrode holder+calibration liquid)</p>	
CODE	MODEL	CAPACITY (L/h)	BAR
ADD100301000A000	Simpool pH	3	1
ADD200301000A000	Simpool Rx	3	1

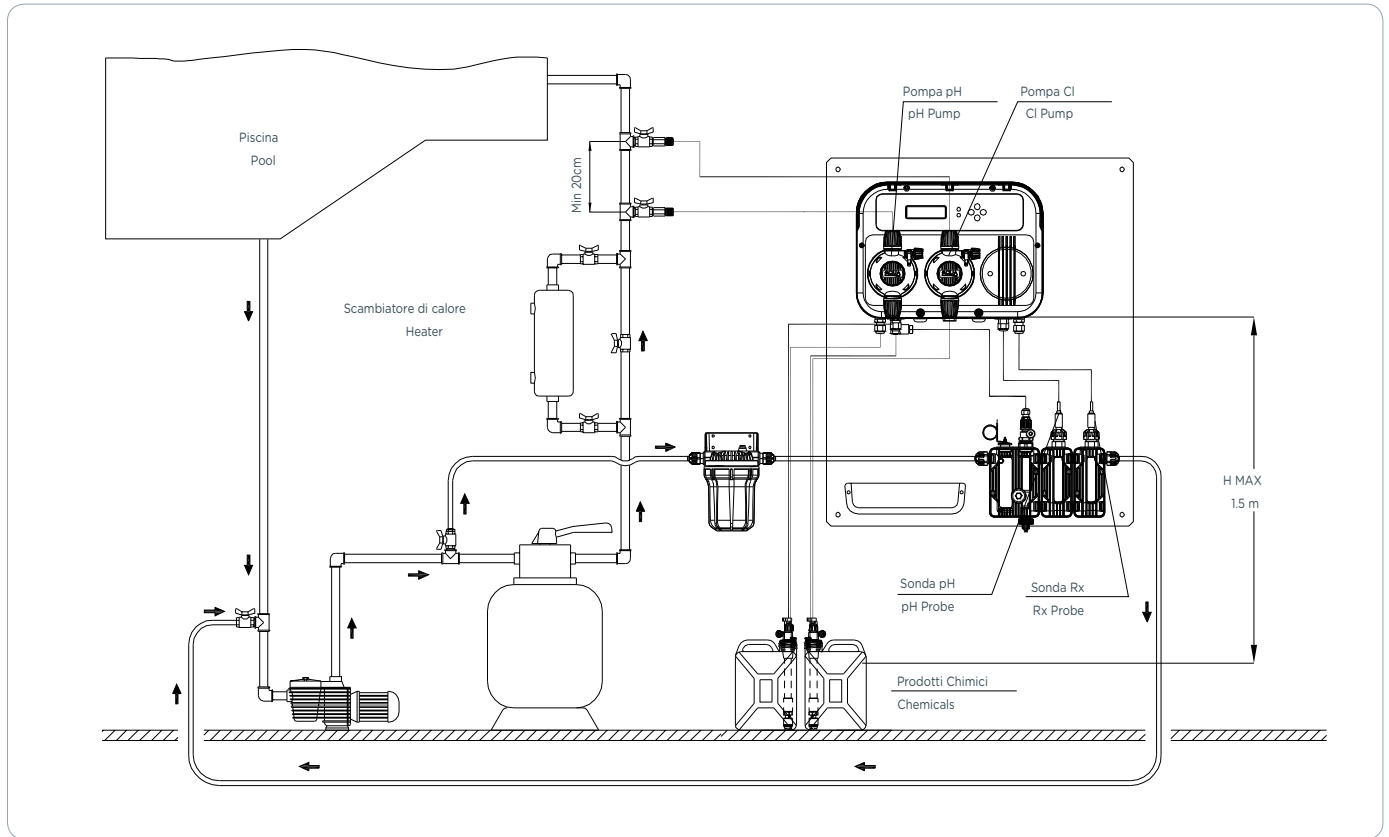
• Please consult for a model with a temperature sensor.



A - POOL SYSTEM pH - RX		<p>pH - Rx automatic chlorine reading for swimming pools, modules include probe holder, flow sensor, pre-filtr, grounding, electrodes, calibration fluids, low chemical level probe. Ready for installation. PVDF chlorine dosing head and PP pH dosing pump.</p>	
CODE	MODEL	CAPACITY (L/h)	BAR
AD80020050D	A-Pool System	5	5



DOSING PUMP



A - POOL SYSTEM pH - RX		pH - Rx automatic chlorine reading for swimming pools, modules include probe holder, flow sensor, pre-filter, grounding, electrodes, temperature probe, calibration fluids, low chemical level probe. Ready for installation. pH-Rx dosing pumps for swimming pools as a panel, ability to transfer pool water results to the computer screen by wiring.	
CODE	MODEL	CAPACITY (L/h)	BAR
ADPS101	A-Pool System	10	4



- Control Panel for special pools, pH and chlorine proportional regulation.

TECHNICAL SPECIFICATIONS	Standard Version
Pump body	PVDF
Diaphragm	PTFE
Balls check valves	PTFE
Valve fitting	PVDF
Seals and O-rings	Viton®
Injection fittings	PVDF
Foot valve	PVDF

A - POOL CONNECT SYSTEM pH - RX (WIRED REMOTE CONNECTION)		pH - Rx automatic chlorine reading for swimming pools, modules include probe holder, flow sensor, pre-filter, grounding, electrodes, temperature probe, calibration fluids, 2 low chemical level probes. Ready for installation. pH-Rx dosing pumps for swimming pools as a panel, ability to transfer pool water results to computer screen by wiring, PVDF pump heads, PTFE check valve. GSM/GPRS control of pool water values by wiring, pH measurement range: 0 - 14 pH, Rx measurement range: 0 - 1500 mV. ADCONVI - converter for remote connection. ASP6000658 - USB to RS232 adapter included.	
CODE	MODEL	CAPACITY (L/h)	BAR
ADPS401	A-Pool System pH-Rx PVDF-PT- FE-VT	10	4



HC 151 pH + HC 151 Rx PANEL		The new generation Aqua HC 151 dosing pump offers better performance in difficult working conditions with its reinforced PP body, while providing a high level of control in chemical dosing with flow sensor input, alarm and relay output for extra pump, statistics and password protection features. System content: Aqua HC 151 pH controlled dosing pump, Aqua HC 151 Redox controlled dosing pump, pH electrode with 5m cable, Redox electrode with 5m cable, A-Probe holder fittings, Aqua Kid probe holder housing, pH calibration fluids, Redox calibration fluid, mounted on the panel.	
CODE	MODEL	CAPACITY (L/h)	BAR
AD962020PHRXP	HC 151 Panel Set	3	12
		4	10
		5	8



HYGIENE EQUIPMENT



SINGLE DETERGENT PUMPS

TEC-RS		Constant flow peristaltic pump for single tank and single solenoid valve machines.			
CODE	MODEL	FLOW (L/h)	BAR	VOLTAGE	TUBE
AD0B1V5010000000	TEC RS	1,5	1	230 VAC	SANTOPREN
AD0B003010000000	TEC RS	3	1	230 VAC	SANTOPREN
AD0B001030A00000	TEC RS	1	3	230 VAC	TYGON
AD0B001030B00000	TEC RS	1	3	230 VAC	SILICONE



TEC-R		TFlow adjustable peristaltic pump for single tank and single solenoid valve machines. Flow rate is adjusted by motor rotation speed (0-100%).			
CODE	MODEL	FLOW (L/h)	BAR	VOLTAGE	TUBE
AD0A004010000000	TEC R	4	1	230 VAC	SANTOPREN
AD0A00601000G000	TEC R	6	1	230 VAC	SANTOPREN
AD0A001030A00000	TEC R	1	3	230 VAC	TYGON
AD0A001030B00000	TEC R	1	3	230 VAC	SILICONE



TEC-2TT		Flow regulated peristaltic pump for machines with single tank and single or double solenoid valves. Flow rate adjustment is time controlled. Initial charging time can be adjusted as 1-240 seconds, additional filling as 1-30 seconds.			
CODE	MODEL	FLOW (L/h)	BAR	VOLTAGE	TUBE
AD0H00401E000000	TEC 2TT	4	1	24+230 VAC	SANTOPREN
AD0H00601E000000T	TEC 2TT	6	1	24+230 VAC	SANTOPREN
AD0M00103EA00000	TEC 1T	1	3	24+230 VAC	TYGON
AD0M00103EB00000	TEC 1T	1	3	24+230 VAC	SILICONE



TEC-2TV		Flow regulated peristaltic pump for machines with single tank and single or double solenoid valves. Flow rate adjustment is time controlled. Initial charging time can be adjusted as 1-240 seconds, additional filling as 1-30 seconds.			
CODE	MODEL	FLOW (L/h)	BAR	VOLTAGE	TUBE
AD0L00401E000000	TEC 2TV	4	1	24+230 VAC	SANTOPREN
AD0L00601E000000	TEC 2TV	6	1	24+230 VAC	SANTOPREN



TEC-2VV		Flow regulated peristaltic pump for machines with single tank and single or double solenoid valves. Flow rate adjustment is time controlled. Initial charging time can be adjusted as 1-240 seconds, additional filling as 1-30 seconds.			
CODE	MODEL	FLOW (L/h)	BAR	VOLTAGE	TUBE
AD0N00401E000000	TEC 2VV	4	1	24+230 VAC	SANTOPREN



HYGIENE EQUIPMENT

TEC 100		General purpose variable flow adjustable peristaltic pump.		
CODE	MODEL	FLOW (L/h)	BAR	TUBE
ADOA02000E000000	TEC100	20	0-2	SANTOPREN
ADOA02000EP000000				PHARMED
ADOA02000EB000000				SILICONE
ADOA100000E0000000		100	0-2	SANTOPREN
ADOA100000EP000000				PHARMED
ADOA100000EB000000				SILICONE



OPL 100		Designed for dosing chemicals to washing machines. It can be used in two different versions as relay version and time version.		
CODE	MODEL	DEBi (L/h)	BAR	TUBE
ADOP02000E000000	OPL	20	0-2	SANTOPREN
ADOP02000EP000000				PHARMED
ADOP02000ES000000				SILICONE
ADOA100000E0000000		100	0-2	SANTOPREN
ADOA100000EP000000				PHARMED
ADOA100000ES000000				SILICONE



DIGITAL SINGLE DETERGENT AND RINSE AID PUMPS

PROGRAMMABLE PERISTALTIC DETERGENT PUMP		Peristaltic pump with programmable digital display. Adjustable flow rate with three different modes. Time speed, Chemical gr/ liter, Active chemical gr/liter.	
CODE	MODEL	FLOW (L/h)	BAR
ADD5006010000000	DG TEC SD	6	1
ADD6006010000000	DG TEC 2 ST	6	1



PROGRAMMABLE PERISTALTIC DETERGENT PUMP		Dosing can be done according to the conductivity value measured in the washing tank or by time setting.	
CODE	MODEL	FLOW (L/h)	BAR
ADD4006010000000	DGTEC CD - 6	6	1
ADD4010010000000	DGTEC CD - 10	10	1



PROGRAMMABLE PERISTALTIC RINSE AID PUMP		It is controlled by two separate signals. Adjustable with three different modes. Time/speed, Chemical/gr-liter. Active chemical/liter.	
CODE	MODEL	FLOW (L/h)	BAR
ADD5001030B00000	DG TEC ST-R	1	3



DUAL DETERGENT PUMPS

AQUA DET1		Double system for machines with one tank and one solenoid valve. Detergent and rinse aid flow rate is adjusted by motor rotation speed (10-100%). Rinse aid limit is set for 30 seconds from the dipswitch. Low chemical level probe output of the product is available. Fast bleed button, alarm output is available.					
CODE	MODEL	FLOW (L/h)		BAR		TUBE	
		Detergent	Rinse aid	Detergent	Rinse aid	Detergent Rinse aid	
AD0E00A0A0E00000	AQUA DET1	4	1	1	3	SANTOPREN	TYGON
AD0E00A0A0E00000	AQUA DET1	4	1	1	1	SANTOPREN	SILICONE



AQUA DET2		Double system for machines with single tank and single or double solenoid valves and small conveyors. The initial charging time for detergent is 0-120 seconds and the additional filling flow rate is adjusted by motor rotation speed (10-100%). Rinse aid flow rate is adjusted by motor rotation speed (10-100%). Rinse aid limit is set as 30 seconds from the dip switch. The product has a low chemical level probe output. Fast bleed button, alarm output is available.					
CODE	MODEL	FLOW (L/h)		BAR		TUBE	
		Detergent	Rinse aid	Detergent	Rinse aid	Detergent Rinse aid	
AD0F00A0A0E00000	AQUA DET2	4	1	1	3	SANTOPREN	TYGON
AD0F00A0A0E00000	AQUA DET2	4	1	1	3	SANTOPREN	SILICONE



DIGITAL DUAL DETERGENT PUMPS

AQUA DET4		The new system AQUA DET-4 is designed for dosing 3 chemicals (detergent, rinse aid, disinfectant) for all models of dishwashers, from small single tank machines to large conveyor machines. Thanks to microprocessor digital technology and LCD display, AQUA DET4 is easy to program and allows the most economical use of each chemical. Conductivity probe is included in the price.					
CODE	MODEL	FLOW (L/h)		BAR		TUBE	
		Detergent	Rinse aid	Detergent	Rinse aid	Detergent Rinse aid	
AD4310N0NE00000	AQUA DET4	10	1,5	0,1	3	SANTOPREN	SILICONE



HYGIENE EQUIPMENT

DETERGENT PUMP SPARE PARTS

CODE	MODEL
ADSP6000068N	Polypropylene discharge connection for detergent pump
ADSP8000025	Hanger Bracket
ADSP6000917	Suction Filter and Weight
ADSP6000010	PVC Hose - 100 mt. top
ADSP8000109	Santoprene Tube



ADSP6000068N



ADSP8000025



ADSP6000917



ADSP6000010



ADSP8000109

RINSE AID PUMP SPARE PARTS

CODE	MODEL
ADSP6500051	Stainless Steel Check Valve
ADSP8000025	Askı Aparatı
ADSP6000917	Suction Filter and Weight
ADSP6000012	PE Hose - 200 meter
ADSP6000063	Hose End Adapter
ADSP8000128	Silicone Tube



ADSP6500051



ADSP8000025



ADSP6000917



ADSP6000012



ADSP6000063



ADSP8000128

CODE	MODEL
ADSP60000050	1/8" T connection

• Optional



DISINFECTION UNIT

AQUA MIX

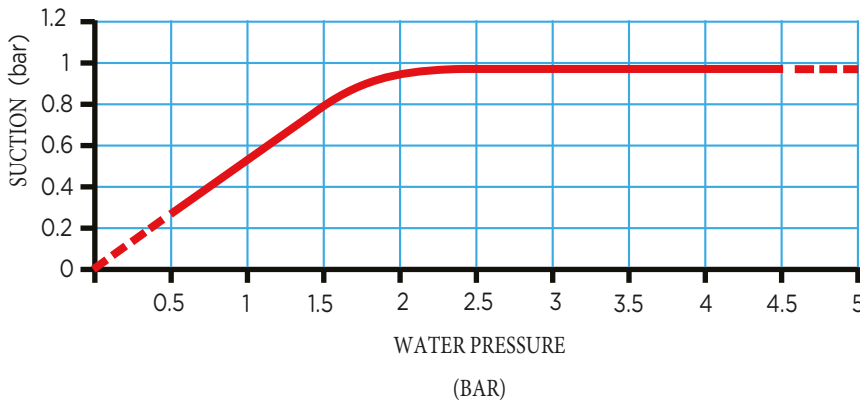


CODE	DESCRIPTION	AQUA MIX SINGLE CHEMICAL	AQUA MIX DUAL CHEMICAL	10 meter washing hose (with fittings)	15 meter washing hose (with fittings)	PROFESSIONAL GUN	PROFESSIONAL LANCE
A9500700	AQUAMIX 1 + 10 m HOSE + GUN	•		•		•	
A9500710	AQUAMIX 1 + 10 m HOSE + LANCE	•		•			•
A9500720	AQUAMIX 1 + 15 m HOSE + GUN	•			•	•	
A9500730	AQUAMIX 1 + 15 m HOSE + LANCE	•			•		•
A9500780	AQUAMIX 2 + 10 m HOSE + GUN		•	•		•	
A9500770	AQUAMIX 2 + 10 m HOSE + LANCE		•	•			•
A9500740	AQUAMIX 2 + 15 m HOSE + GUN		•		•	•	
A9500750	AQUAMIX 2 + 15 m HOSE + LANCE		•		•		•

TECHNICAL SPECIFICATIONS

Flow	13 L/dak. 3 bar
Operating Temperature	5-55 °C
Min. Working pressure	1,5 bar 5
Max. Working pressure Maximum	bar 2 m
Suction Height Mixing Ratio	0,5+16%
Chemical Selector (Venturi)	PVDF

VENTURI PERFORMANCE



DILUTION UNITS		
CODE	MODEL	DESCRIPTION
A9500740	Aqua Mix 2 -Gun	Double chemical dilution capability 15m washing hose and fittings with gun handle.
A9500750	Aqua Mix 2 -Lance	Double chemical dilution capability 15m washing hose and fittings with lance handle.

HYGIENE EQUIPMENT

ACCESSORIES

CODE	SPARE PART	AQUA MIX 1	AQUA MIX 2
ADSP6000075	Suction Filter for 6x9 Hose	•	x2
MB020210	Stainless Steel Weight for Suction Filter	•	x2
A9500600	Dilution Beads (15 pieces)	•	x2
SH020460	6x9 mm PVC Suction Hose 1.5 meters	•	x2
A9500410	Venturi Check Valve Kit	•	x2
SB050020	AISI Flex Hose 3/4" - 3/4"	•	•
S6060470	Input Protection Filter	•	•
A9500220	Venturi Kit PVDF	•	•
A9500300	Inlet Valve Kit	•	•
A9500400	Suction Kit	•	•
S6060410	PVC hanger bracket for 5 liter chemical drums	•	x2
A9501110A	Washdown Hose 3/4" - 3/4" (15 m)	•	•
A9800100	Gun	•	•
A9800110	Lance	•	•



ADSP6000075



MB020210



A9500600



SH020460



A9500410



SB05020



S6060470



A9500220



A9500300



A9500400



S6060410



A9501110



A9800100



A9800110

DILUENTS

Mini AQUA DIL		Dilution unit with push button for single chemical. 4 L/min. (Bottle type) and 14 L/min. (Bucket type) capacity. Dilution ratios 3-1/125-1 (4LPM) 3- 1/350-1 (14 LPM).		
CODE	MODEL	CAPACITY	WORKING PRESSURE	WORKING TEMPERATURE
ADHYA010	Mini AquaDil - Şişe	4 L/dk.	1,5 - 6 Bar	65°C (max)
ADHYA011	Mini AquaDil - Kova	14 L/dk.	1,5 - 6 Bar	65°C (max)



AQUA DİL		Dilution unit with push button for single or 4 chemicals. 4 L/min. (Bottle type) and 14 L/min. (Bucket type) capacity. Dilution ratios 3-1/125-1 (Low pressure) 3-1/350-1 (High Pressure).			
CODE	MODEL	DESCRIPTION	CAPACITY	WORKING PRESSURE	WORKING TEMPERATURE
ADHYA110	Mini AquaDil	Single Bottle Type	4 L/min.	1,5 - 6 Bar	65°C
ADHYA111	Mini AquaDil	Single Bucket Type	4 L/min.	1,5 - 6 Bar	65°C
ADHYA140	Mini AquaDil	4 Bottle Type	4 L/min.	1,5 - 6 Bar	65°C
ADHYA141	Mini AquaDil	4 Bucket Type	14 L/min.	1,5 - 6 Bar	65°C
ADHYA142	Mini AquaDil	3 Bottles of 4 (4L/ min)+1 Bucket Type (14L/min)	4-14 L/Min.	1,5 - 6 Bar	65°C
ADHYA143	Mini AquaDil	2 Bottles of 4 (4 L/min)+2 Bucket Type(14L/min)	4-14 L/min.	1,5 - 6 Bar	65°C



AQUA DOSE		Aquadose manual chemical pump. Allows dosing of 15 cc, 22 cc, 30 cc, chemicals at each press. Resistant to many chemicals. Practical and easy to use.	
CODE	MODEL	CAPACITY	
ADHYD616	AquaDose 616	Hand Type Pump	



SPARE PARTS FOR MINI AQUADIL AND AQUADIL

VOFR	MODEL
ADHYD10089410	Suction Filter
ADHYD509900	Ceramic Weight
A9500600	Dilution Beads
SH020460	1.5 m. PVC Hose



ADHYD10089410



ADHYD509900



A9500600



SH020460

HYGIENE EQUIPMENT

LAUNDRY SYSTEMS

AQUA OPL	Designed for dosing chemicals in small washing machines. Thanks to microprocessor digital technology and LCD display, AQUA OPL is easy to program and ensures the most economical use of each chemical. Programming and statistical information is protected by a 4 digit password. Each chemical has a level probe connection. IP65 protection against dust and water splashes.	
CODE	MODEL	
AD4530MOEP00000	AQUA OPL LLL	

TECHNICAL SPECIFICATIONS

Electricity Consumption	100-240 VAC 50/60Hz (1,6A) Power 20 W (max)
Power	24-240 VAC
Trigger Signal	30 VDC
Alarm Output	250 VAC-5A
Relay Exit	1, 2, 3 Chemical and washing tank
Level Inputs Hydraulics	
Peristaltic Pump 1	10L/s - 0,1 bar pharmed tube 10L/s
Peristaltic Pump 2	- 0,1 bar pharmed tüp 10L/s - 0,1 bar
Peristaltic Pump 3	pharmed tube



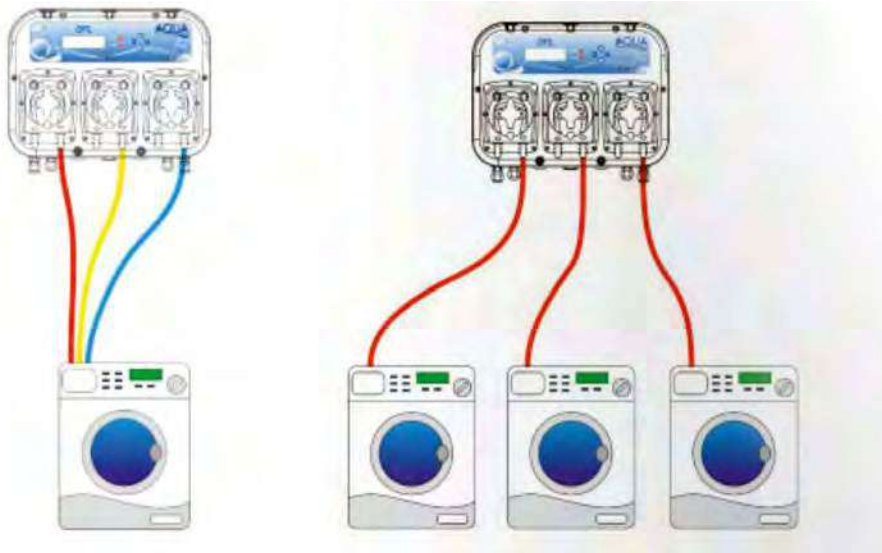
Time and speed

Adjustable speed between 15% and 100%.

Adjustable time from 0 to 180 seconds or 4 to 60 minutes.

Adjustable delay time from 0 to 300 seconds. Adjustable lock time from 0 to 99 minutes.

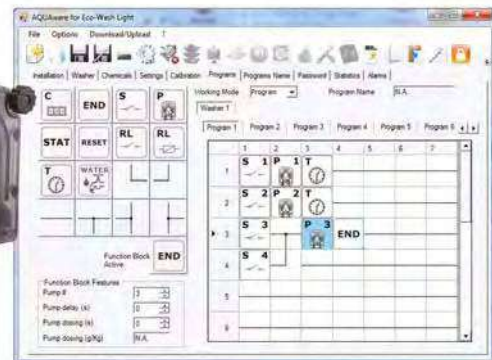
INSTALLATION DIAGRAM



ECOWASH LIGHT LAUNDRY SYSTEMS



Programming with PC

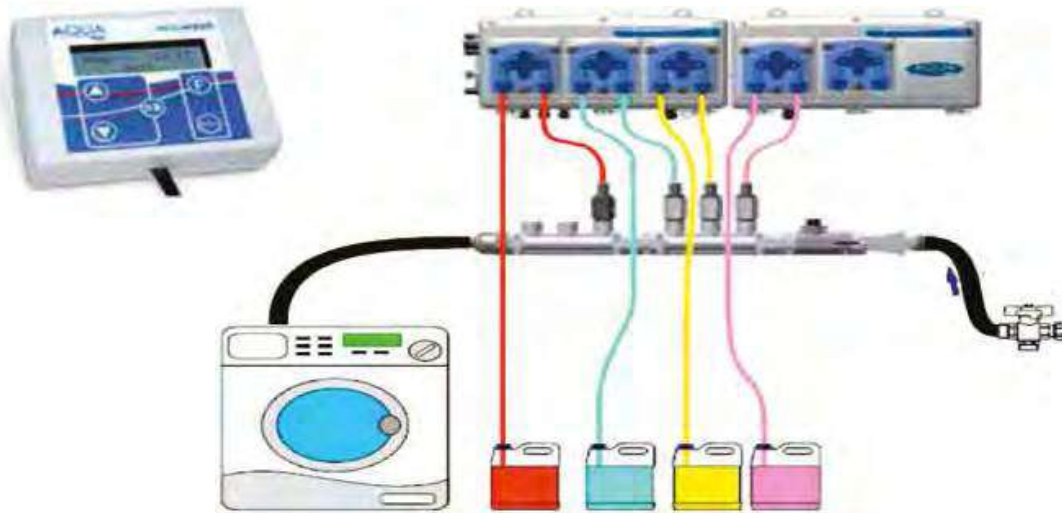


It is offered for sale in packages



- > Single washing machine system
- > Modular system
- > Quick and easy assembly
- > 3 - 8 optional 20-100 lt/h pump sets 8
- > multivoltage signal inputs
- > Programming with PC
- > IP65 degree of protection Statistics
- > and cost accounting Optional level
- > sensors
- > Ability to send programs by mail

HYGIENE EQUIPMENT



SINGLE MACHINE LAUNDRY SYSTEMS		20 lt/h - 100 lt/h peristaltic pumps with the ability to dose up to 8 chemicals, RS 232 connected statistics and cost calculation feature.
CODE	MODEL	
EWL3LS0000	Ecowash light 3x20 lt/h Set + Console	
EWL3HS0000	Ecowash light 3x100 lt/h Set + Console	
EWL4LS0000	Ecowash light 4x20 lt/h Set + Console	
EWL4HS0000	Ecowash light 4x100 lt/h Set + Console	
EWL5LS0000	Ecowash light 5x20 lt/h Set + Console	
EWL5HS0000	Ecowash light 5x100 lt/h Set + Console	
EWL6LS0000	Ecowash light 6x20 lt/h Set + Console	
EWL6HS0000	Ecowash light 6x100 lt/h Set + Console	

ECOWASH MULTI SYSTEM LAUNDRY SYSTEMS



Ecowash Multi System is a fully modular dosing system for industrial washing machines. It can be applied to up to 4 machines from a single location.

With 20-100 lt/h peristaltic pumps or role modules, it offers the possibility of dosing up to 10 chemicals with 20 different programs for 4 machines. Programming is done via Bluetooth. It can calculate statistics and costs and present them as a report.

100% Modular: It is easy to get the right system for every need. No more different codes for different configurations.

Easy to Assemble: Programming can be done with a computer with AQUAware for ECOWASH software program.

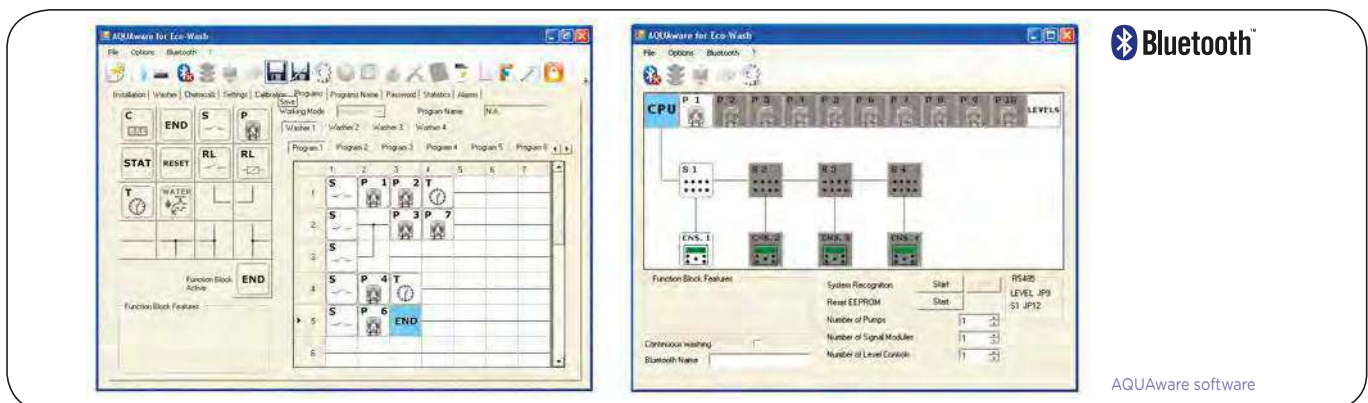
Versatile: With two operating modes, the choice is easy.

Programmable Operating Mode: It is easy to program a wash program with trigger signal and pumps. There are 20 washing programs. It is possible to set run times or gr/kg and delay times for each pump relay.

User friendly: The person starting the washing machine reads the names of the operating programs on the display (whites, colors, no bleach, underwear, etc.).

Environmentally Sensitive: Since it is possible to select the load of the washing machine, it is always possible to save on chemicals and choose the right amount of chemicals (25%, 50%, 75% or 100%). Saves energy thanks to the switching mode power supply with active PFC unit.

Safe: All modules are interconnected via serial communication and thanks to the signal module, no high voltage signal is emitted from the washing machine.



HYGIENE EQUIPMENT



EWMCOO4000000
€ 1.185,00



EWMSOO7020000
€ 536,00



EWMPO20PI0000
€ 258,00



EWMP100PI0000
€ 340,00



EWCN003010000
€ 165,00



EWML000000000
€ 237,00



ADLF3000000
€ 113,30



ADLF6000000
€ 144,20



ADVIL000
€ 35,00



ADLFM010
€ 30,90

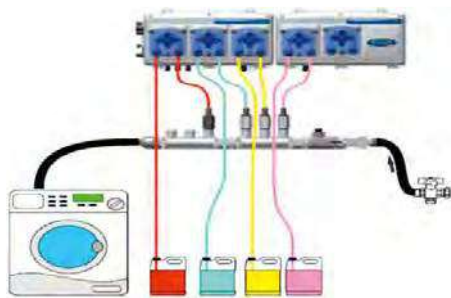


ADL0404N
€ 1.287,50

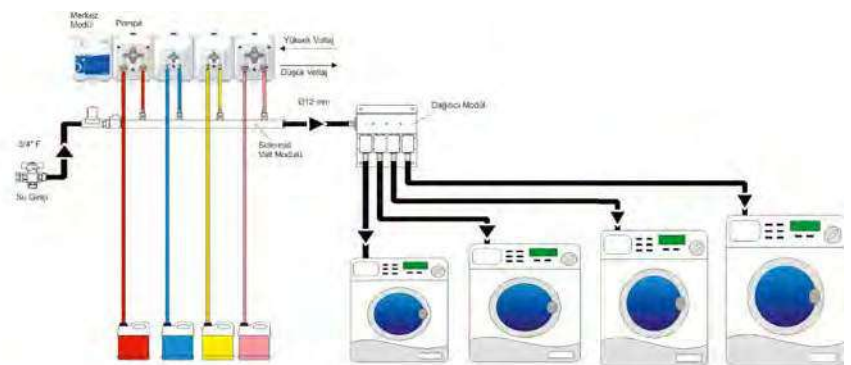


ADLASM2A01
€ 88,00

• Please contact our company for projected works.

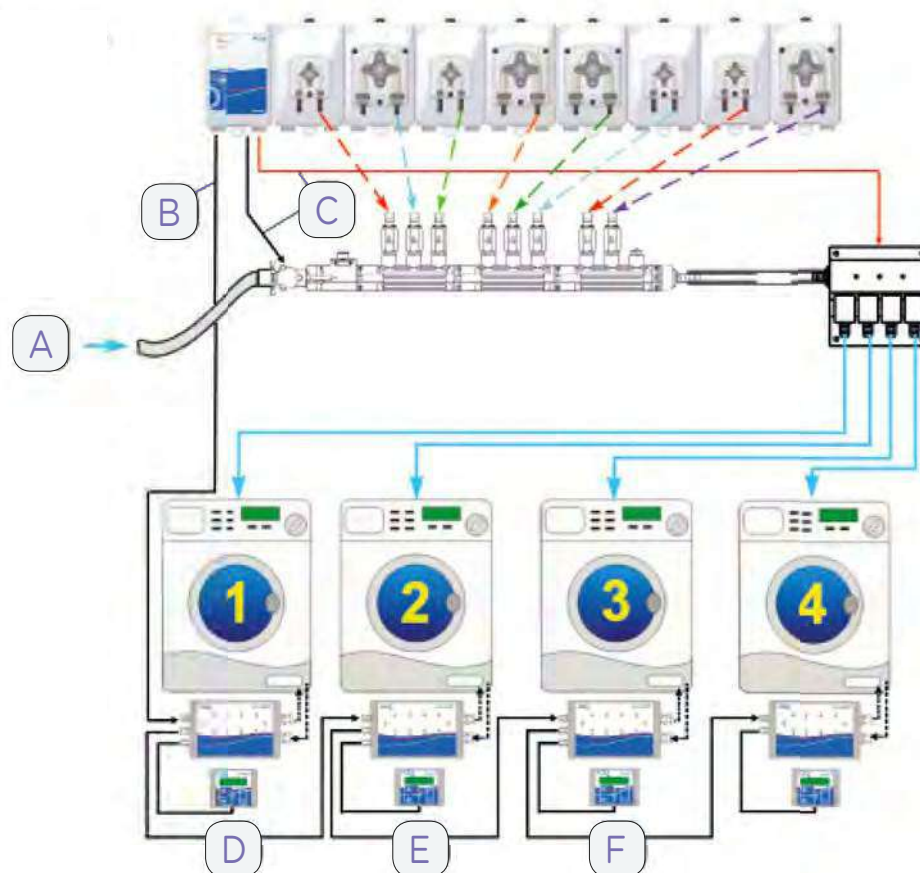


Single System



Dörtlü Sistem

Installation Example

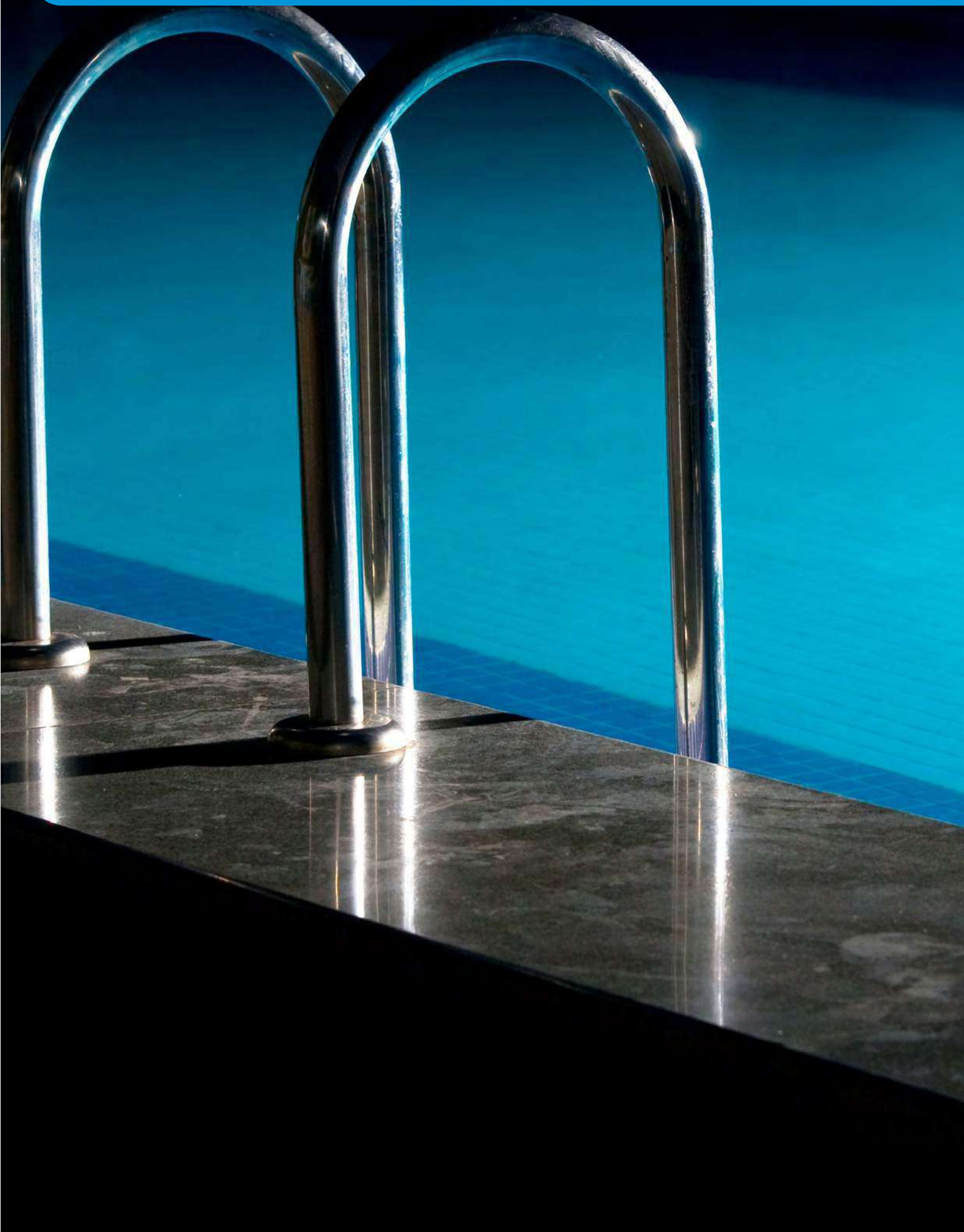


- A** Water inlet
- B** 4-pole cable
- C** Solenoid valve flush adjustment
- D** Transition to No. 2 machine
- E** Transition to No. 3 machine
- F** Transition to No. 4 machine

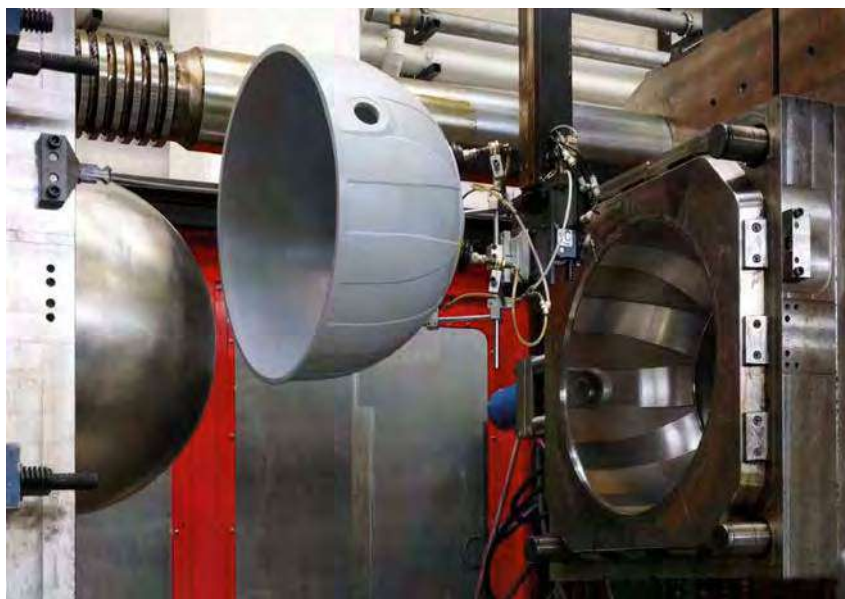
CODE	PRODUCT NAME
EWMC004000000	Multisystem Control Unit
EWMS007020000	Multisystem Signal Module
EWMP020PI0000	LF Pump (Max 20 L/h)
EWMP100PI0000	HF Pump (Max 100 L/h)
EWCN003010000	Console B Standard
EWML000000000	Level Sensor Module
EWMR000000000	Relay Module
ADLD404N	Multisystem Distributor Module
ADLF600000	Solenoid-6 Collector
ADVIL000B	Check valve 1/4 - 8x12
ADSP8000169	Pharmed Membrane 20 Lt
ADSP8000171	Pharmed Membrane 100 Lt
ADLASM2A01	8x12 Check Valve Level Sensor

• Please get information from our company for your projected works

POOL EQUIPMENTS



POOL FILTERS



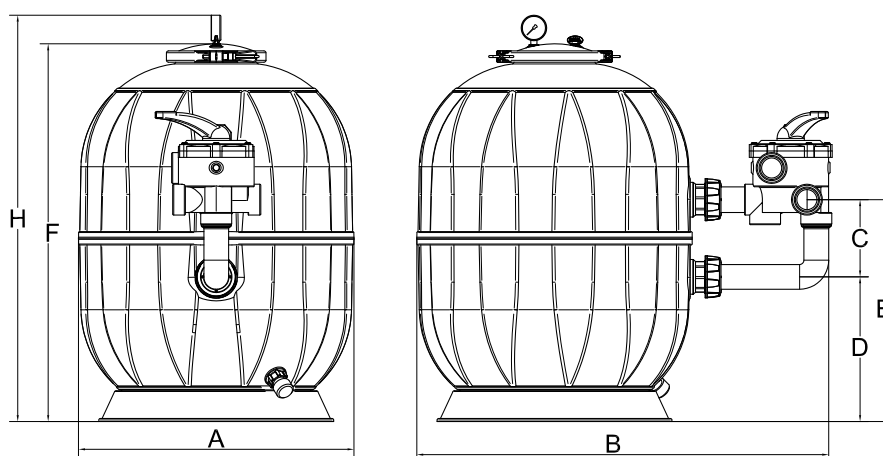
AQUARIUS (SIDE MOUNTED)		100% PP Injection	
CODE	MODEL	DIAMETER(mm)	FLOW 50m3/h/m2
100100967	Aquarius/450 Y	450 mm	6m³/h
100100970	Aquarius/530 Y	530 mm	10m³/h
100100973	Aquarius/620 Y	620 mm	14m³/h
100100988	Aquarius/800 Y	800 mm	22m³/h
100100908	Aquarius/950 Y	950 mm	35m³/h

- Six-way valve and connection kit included



>AQUARIUS

- >100% Polypropylene spherical body and base.
- >Anti-slip filter foot.
- > Fully automatic injection printing.
- >Recyclable, environmentally friendly.
- > Max. 3,75 Bar working pressure. Max. 40°C working temperature.
- >Bottom drain valve.
- >“T” bleed valve.
- > Manometer Ø 50 mm. 1 1/2” and 63 mm 2” connection options.
- > High flow rate special design diffuser.
- > Six-way valve and connection kit.
- > Tightness guaranteed with butterfly valve clamps.
- >Unique design. Easy installation. Easy maintenance.
- > High performance under severe conditions.
- > CE, ISO CERTIFICATE.
- >10 YEAR BODY WARRANTY.



Dimensions: mm

A	B	C	D	E	F	H	Connection Filter Housing	Height	Sand Kg	Filtration Surface Area	Weight Kg	Volume (m3)
450	716	150	206	356	585	645	50	300	75	0,12	10	0,20
530	730	150	281	431	735	795	50	400	100	0,22	12	0,36
620	820	150	299	449	770	830	50	400	150	0,28	19	0,44
800	1102	200	360	570	955	1010	63	450	250	0,44	29	0,76
950	1270	200	370	570	970	1025	63	520	450	0,70	37	1,20

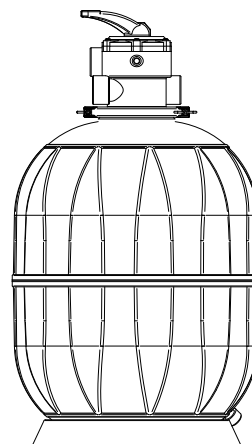
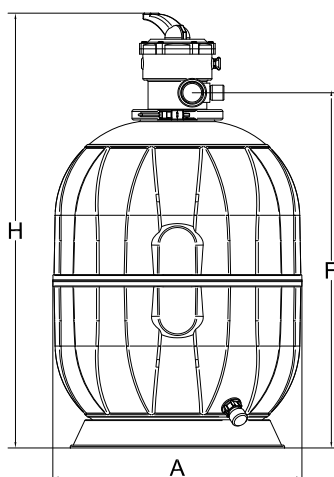
AQUARIUS (TOP MOUNTED)			
CODE	MODEL	DIAMETER(mm)	FLOW (m3/h)
100100968	Aquarius/450 T	450 mm	6m ³ /h
100100971	Aquarius/530 T	530 mm	10m ³ /h
100100974	Aquarius/650 T	650 mm	14m ³ /h

- Six-way valve and connection kit included.



AQUARIUS

- > 100% Polypropylene spherical body and base.
- > Anti-slip filter foot.
- > Fully automatic injection printing.
- > Recyclable, environmentally friendly
- > Max. 3,75 Bar working pressure. Max. 40°C
- > working temperature
- > Bottom drain valve
- > "T" bleed valve.
- > Manometer Ø 50 mm. 1 1/2" and 63 mm 2" C connection options.
- > High flow rate special design diffuser
- > Six-way valve and connection kit.
- > Tightness guaranteed with butterfly valve clamps
- > Unique design. Easy installation. Easy maintenance.
- > High performance under severe conditions.
- > CE, ISO CERTIFICATE
- > 10 YEAR BODY WARRANTY



Dimensions: mm

A	F	H	Connection	Sand Kg
450	600	770	50	75
530	756	926	50	100
650	792	962	50	150

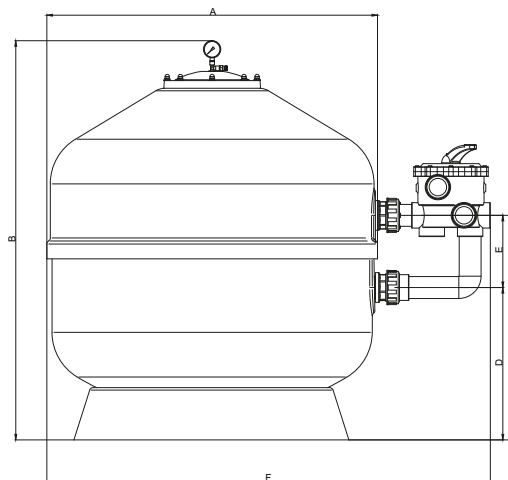
AQUAGLASS			
CODE	MODEL	DIAMETER (mm)	CONNECTION
100170009	620	620 mm	Threaded connection
100170018	950	950 mm	Threaded connection
100170025	1050	1050 mm	Threaded connection
100170027	1250	1250 mm	Threaded connection
100170028	1600	1600 mm	Flanged connection

- 1050, 1250 and 1600 models do not include valve.



>AQUAGLASS

- >Glass fiber reinforced polyester.
- >Spherical shape.
- >Bottom drain valve.
- >With manometer and bleeder.
- >Special collector system.
- >Max. test pressure 3,75 Bar.
- >Max. working temperature 40°C.
- >100% tightness test.
- >Praher valve.
- >5 YEAR BODY WARRANTY.



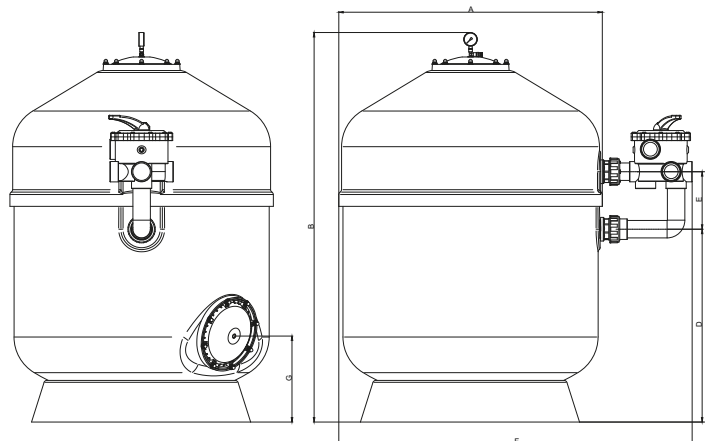
CODE	MODEL	IN-OUT	FLOW (m3/h)	SAND (kg)	SURFACE AREA (m ²)	FILTRATION RATE (m2/h/m3)
100170009	620	DN 50	14	150	0,28	50
100170018	950	DN 63	33	450	0,66	
100170025	1050	DN 75	45	750	0,91	
100170027	1250	DN 90	60	900	1,22	
100170028	1600	DN 110	100	3050	2,00	

AQUAGLASS PLUS			
CODE	MODEL	DIAMETER (mm)	CONNECTION (mm)
100107104TR	Aquaglass Plus	650 mm	1140
100170112TR		800 mm	1140
100170113TR		950 mm	1230



>AQUAGLASS PLUS

- > Made of glass fiber reinforced polyester.
- > Excellent inner surface.
- > Higher resistance to chemicals.
- >PVC injection molded top cover and bottom manhole cover.
- >Bottom drain valve.
- > Including manometer and bleeder.
- >Special collector system.
- >Max. test pressure 3,75 Bar.
- > Max. working temperature 40°C.
- > 100% tightness test.
- >Praher valve.
- >5 years BODY WARRANTY.



POOL EQUIPMENTS

CODE	FLOW (m ³ /h)	Diameter (mm)	(MEASUREMENTS (mm))							CONNECTION	SAND (kg)	WEIGHT (kg)
			A	B	C	D	E	F	G			
100107104TR	15	650	685	1.140	840	690	150	960		50	300	29
100170112TR	25	800	815	1.140	750	550	200	1.160	380	63	400	44
100170113TR	35	950	945	1.230	800	600	200	1.310	310	63	500	73

POOL MANOMETERSRI	
CODE	DESCRIPTION
AB060070	Manometer 1/8 (Aqua)
AB060071	Manometer 1/4 (Equa)



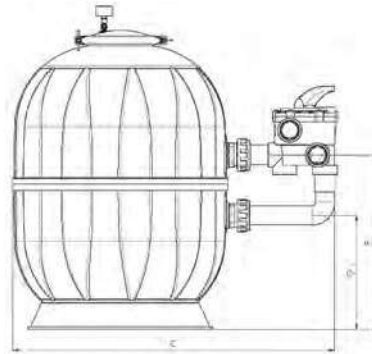
6-WAY VALVES		Made of ABS. Imported Praher brand, 100% tested against leakage.
CODE	MODEL	DESCRIPTION
100100483	Praher	1 1/2" D.50 threaded connection
100100484	Praher	2" D.63 threaded connection
100100960	Praher	2"1/2" D.75 threaded connection
100100961	Praher	3" D.90 threaded connection



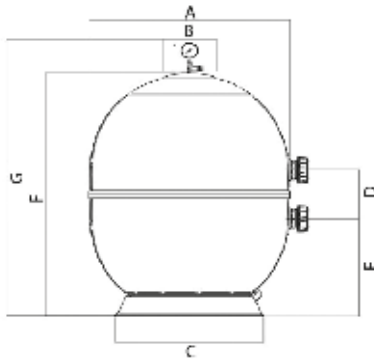
- 3 year warranty.

FILTER SIZE CHART

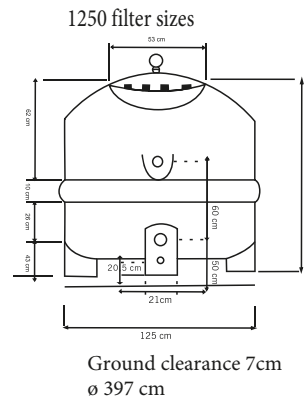
AQUARIUS



AQUAGLASS POLYESTER 920-1050



AQUAGLASS POLYESTER 1050-2350



MODEL A	FLOW (m ³ /h)			SAND (kg)			SIZE CHART (mm)								CONNECTION (mm)
	50	40	30	THIN 0,5-1,2 (mm)	MEDIUM 1-3 /3-5 (mm)	THICK 5-8 (mm)	A	A1	B	C	D	E	F	G	
AQR450PP	6	5	4	40	30		645	585	450	716	206	356			50
AQR620PP	14	13	11	80	70		830	768	620	820	300	449			50
AQR620PP	14	13	11	80	70										50
AQR800PP	22	20	18	100	100	50	1.010	955	790	1.102	349	579			63
AQG920	33	26	20	200	200	50	920		300	690	200	480	1.020	1.100	63
AQG1050	45	36	28	350	250	150	1.080		510	880	300	500	1.100	1.180	90
AQG1250	61	48	36	400	300	200	1.275		570			400	1.550	1.700	90
AQG1600	100	80	60	1.200	1.100	750	1.600		710	1.300	400	600	1.800	1.850	110

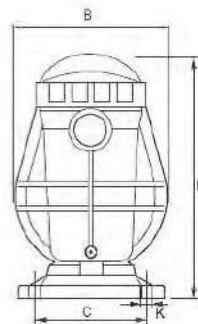
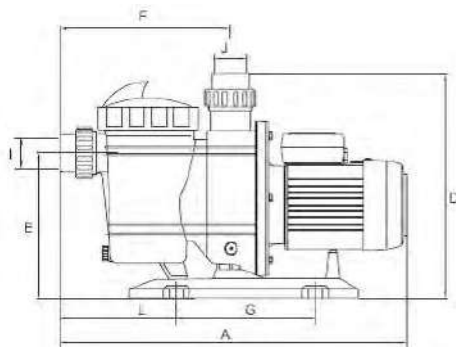
CIRCULATION PUMPS

AQUA STD		Self-priming centrifugal motor pump with internal pre-filter for chemical and brine dosing suitable for pool circulating water		
CODE	MODEL	ENERGY	POWER (HP)	CAPACITY (m ³ /h)
100100200	STD	Monophase	0,33	6
100100201			0,50	10
100100202			0,75	14
100100203			1,00	16
100100215			1,50	21
100101205			2,00	28
100101206			3,00	33
100100216		Three-phase	1,50	22
100100217			2,00	29
100100206			3,00	34
100100207			4,00	60
100100208			5,50	85
100100209			7,50	100



AQUA STD

- > Pump housing, pump leg and diffuser are glass fiber reinforced.
- > Made of polypropylene material.
- > Pump body o-ring viton.
- > Support screws and gaskets stainless steel AISI 304.
- > Stainless steel AISI 316 pump shaft.
- > Aluminum L-2521 motor housing.
- > Transparent front filter cover. Continuous operation capability.
- > Thermal protection included for monophase version.
- > Max. working pressure 2,5 Bar.
- > Max. working temperature +50°C.
- > IP55 protection class.



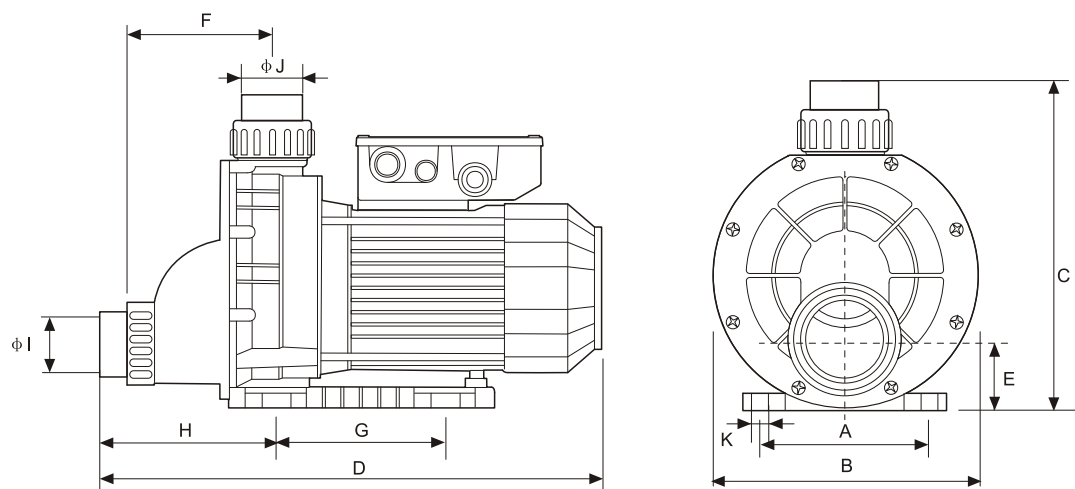
JACUZZI PUMPS

AQUA JAKUZI		Pre-filterless circulation pump for jacuzzis		
CODE	MODEL	ENEGY	POWER (HP)	CAPACITY (m ³ /h)
100102202	STD-JK	Monofaze	2	16
100102203			3	33

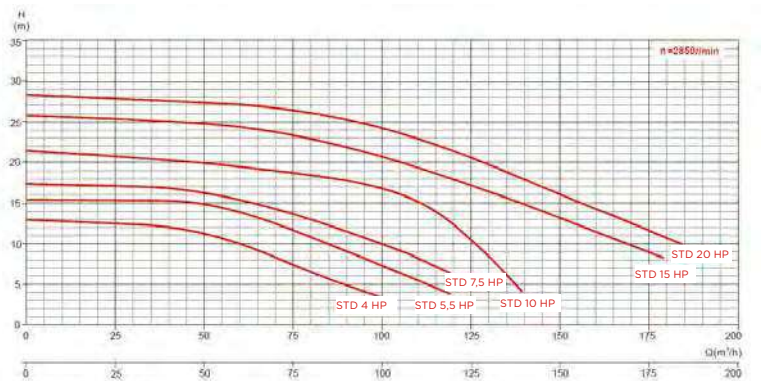
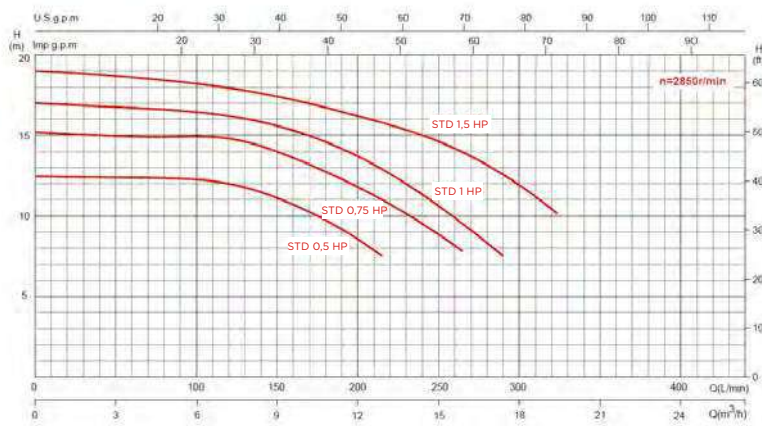
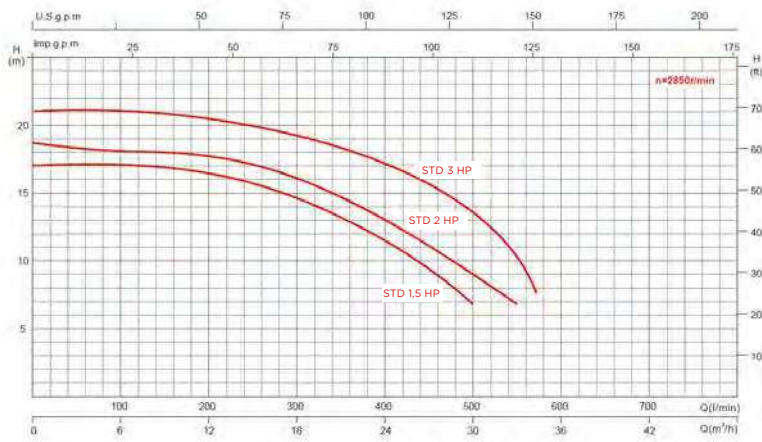
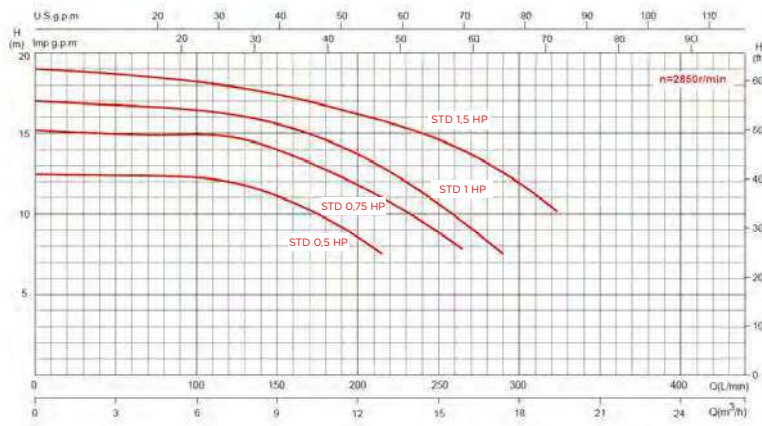


AQUA STD

- > Pump housing, pump leg and diffuser are glass fiber reinforced.
- > Made of polypropylene material.
- > Pump housing o-ring viton.
- > Support screws and gaskets stainless steel AISI 304.
- > Stainless steel AISI 316 pump shaft.
- > Aluminum L-2521 motor housing.
- > Transparent front filter cover.
- > Continuous operation capability.
- > Thermal protection included for monophase version.
- > Max. working pressure 2,5 Bar.
- > Max. working temperature +50°C. IP55 protection class.



POOL EQUIPMENTS



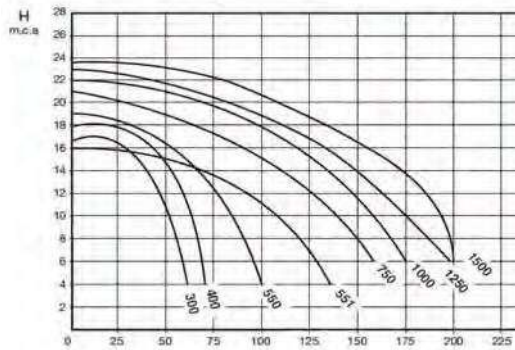
CODE	POWER	CONNECTION	VOLTAGE	mss (m ³ /h)					
				8	10	12	14	16	
100100201	0,50	50	230 V	12	11	8	—	—	Monophase
100100202	0,75	50	230 V	16	14	12	9	—	Monophase
100100203	1,00	50	230 V	17	16	14	12	8	Monophase
100100205	2,00	63	230 V	31	28	25	23	19	Monophase
100100206	3,00	63	230 V	50	33	28	—	—	Monophase
100100216	1,50	63	380 V	29	26	23	19	15	Three-phase
100100217	2,00	63	380 V	31	29	25	23	19	Three-phase
100100206	3,00	63	380 V	50	45	28	—	—	Three-phase
100100207	4,00		380 V	62	55	45	20	—	Three-phase
100100208	5,50		380 V	—	75	70	60	45	Three-phase
100100209	7,50		380 V	95	85	75	60	—	Three-phase

MODEL	A	B	C	D	E	F	G	H	L	I	J	K	KG
0,50 HP	550	238	160	345	225	262	170	330	205	ø50	ø50	4- ø10	8,7
0,75 HP	550	238	160	345	225	262	170	330	205	ø50	ø50	4- ø10	9,3
1,00 HP	550	238	160	345	225	262	170	330	205	ø50	ø50	4- ø10	10,4
1,50 HP	550	238	160	345	225	262	170	330	205	ø50	ø50	4- ø10	10,4
2,00 HP	550	238	160	345	225	262	170	300	205	ø50	ø50	4- ø10	10,4
1,50 HP	655	270	230	450	295	335	200	440	270	ø63	ø63	4- ø10	16,6
2,00 HP	655	270	230	450	295	335	200	440	270	ø63	ø63	4- ø10	18,3
3,00 HP	655	270	230	450	295	335	200	440	270	ø63	ø63	4- ø10	19,3

MODEL	A	B	C	D	E	F	H	H1	H2	K
STD4.0	1070	140	279	508	483	190	415	295	546	12
STD5.5	1070	140	279	508	483	190	415	295	546	12
STD7.5	1145	140	279	508	483	190	415	295	546	12

POOL EQUIPMENTS

CENTRIFUGAL CASTING PUMP		Cast iron pumps, IP55 protection class, stainless steel AISI - 316 prefilter basket. Mechanical seal and pump shaft. "A" secron motor 2850 Rpm. Flanged connection (for continuous service installations).
CODE	MODEL	POWER (HP)
100100272	Centrifugal Cast Pump	7,5 HP
100100274		10 HP
100100276		12,5 HP



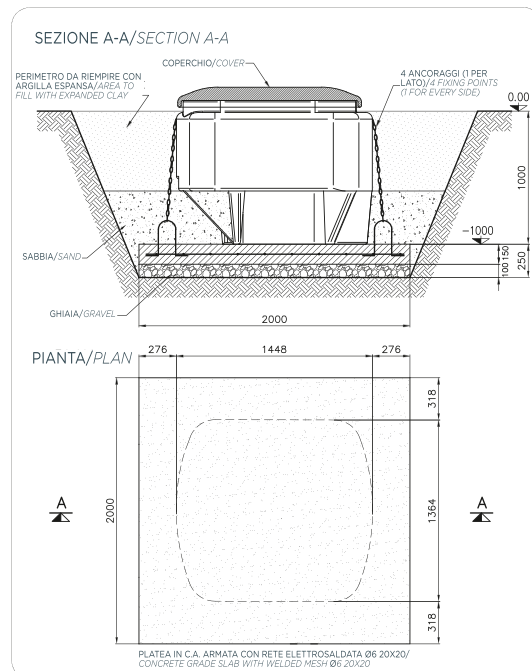
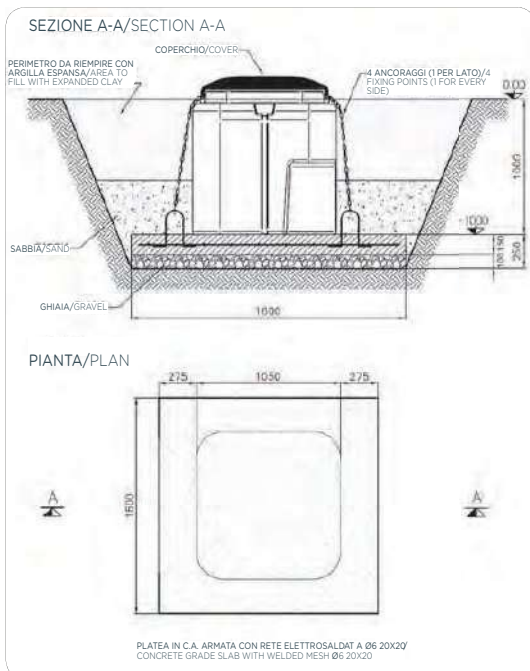
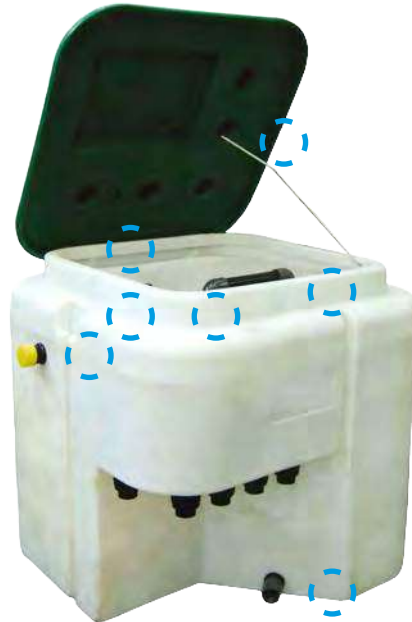
PUMP TRAY		
CODE	MODEL - DESCRIPTION	
Y0243	Pool pump stand 0.50-3 HP	
Y0244	Pool pump stand 4-15 HP	

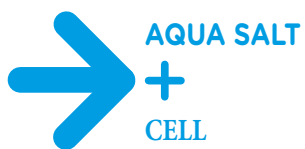


ASSEMBLED MACHINE ROOM

EUROPRO KABIN		Machine room made of polyethylene, 100% injection molding. Machine room ready for installation, assembled with filtration equipment. "AQUARIUS" filter and circulation pump. Easy to open thanks to the hinged lid. Special design that prevents water from getting inside from outside. Channels preventing collapse from the sides. Special design that prevents load on the valves.					
CODE	MODEL	FLOW (m³/h)	FILTER (mm)	HP-Kw	DIMENSIONS	SUCTION	PRESS
107100516	EUROPRO KABIN	6	450	0,50 - 0,37	106x110x86	2	1
107100590		10	530	0,50 - 0,37	106x110x86	3	3
107100591		14	620	0,75 - 0,50	106x110x86	4	3
107100524		22	800	1,00 - 0,75	137x144x93	4	4

- Complies with UNI EN 16582, UNI EN 10637, UNI EN 16713
- standards Prices do not include panel and transformer.





QUARTZ FILTER SAND / GLASS MEDIA FILTER

QUARTZ FILTER SAND			Washed and sifted sand should not be used.
CODE KUVARSKUM	CODE KUVARSKUM01	CODE KUVARSKUM02 KUVARSKUM03	PACKAGING (kg)
THIN	MEDIUM	THICK	25
0,5 – 1,2 mm	1 - 3 mm	3 - 5 / 5 - 8 mm	



GLASS MEDIA FILTER			It can be safely used as an alternative to quartz sand and other filter media. It is composed of recycled glass. Reduces energy and chemical processing costs during backwash and draining.
CODE 100100019	CODE 100100020	CODE 100100021	PACKAGING (kg)
THIN	MEDIUM	THICK	25
0,5 – 1,2 mm	1,2 - 3,2 mm	3 - 6 mm	



NATURE WORKS	Single-layer, anti-jamming glass media that reduces the number of backwashes and prevents organic growth.
CODE	PACKAGING (kg)
KUVARSW	20



NATURE WORKS FİLTRE MEDYASI

- > Filter material
- > 100% pure window glass
- > The only product on the market
- > Zero chemical interactions as it is porcelain based
- > Sharp-edged
- > Less abrasion, harmless
- > Infinite lifespan
- > Single layer material
- > No clustering as there is no abrasion
- > BIOFILM does not stick (Certificate available)
- > BUREAU VERITAS (certificate of purity) available
- > ORIGINAL SILISIUM certificate available
- > Particle size 0.7 - 1 mm 04.07
- > Reduced number of backwashes, saves water
- > Saves energy
- > Reduced use of chemical care products %30
- > Can also be used after the filter has been repaired
- > MSDS certificate is available (No harm to ingestion, eyes, body)

DISADVANTAGES OF CLASSIC FILTER MATERIAL

1. Limited lifespan
2. High energy and chemical consumption
3. Low hygiene properties
4. Low filtering ability
5. Turning into hazardous waste at the end of its
6. lifespan

ADVANTAGES OF NATURE WORKS

1. Maximum lifespan
2. Low energy and chemical consumption
3. Ideal filtering capability
4. Negligible pressure loss
5. Maximum hygiene due to antiseptic material

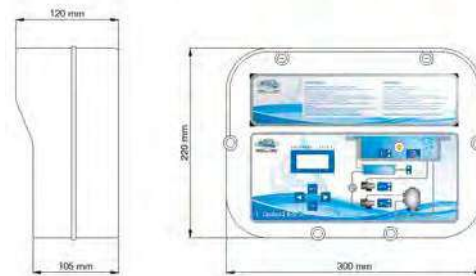
POOL EQUIPMENTS

POOL CONTROL PANEL

T CONTROL ELECTRONIC CONTROL PANEL		<p>The T control electronic control panel allows you to monitor filtration, led lights, circulation pump and management control. It allows manual or timer remote activation and deactivation of the filtration system and pool lights. It sets the antifreeze function in case the water temperature drops below 3°C. In this case, the device gives a signal. Allows the use of 3 low level chemical probes in skimmer or overflow models. Circulation pumps (single-phase up to max. 2 HP) can be controlled by the timer with on-off pulse thanks to the electronic button (220/240V). Complies with IP65 protection class standards.</p>
CODE		DESCRIPTION
100100832	T Control 1	Skimmer, filtration, lamp
100100830		Skimmer, filtration, lamp and jacuzzi
100100842	T Control 2	ÜOverflow, filtration, lamp
100100840		Overflow, filtration, lamp and jacuzzi
100100833	Module	Radio module

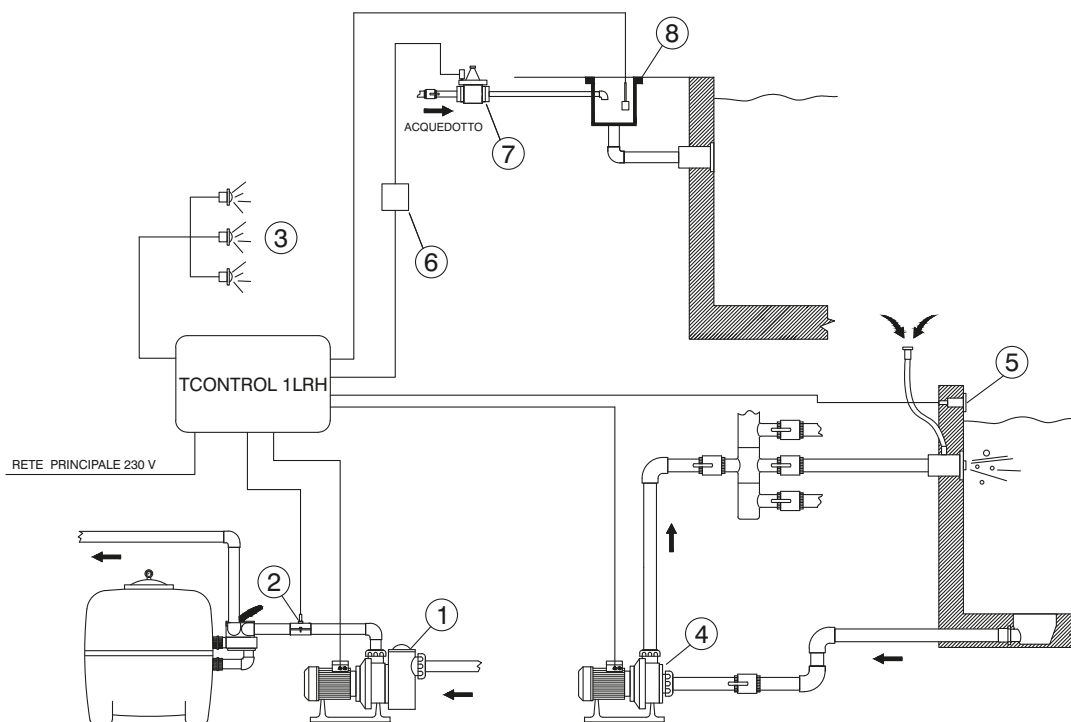


T CONTROL 1

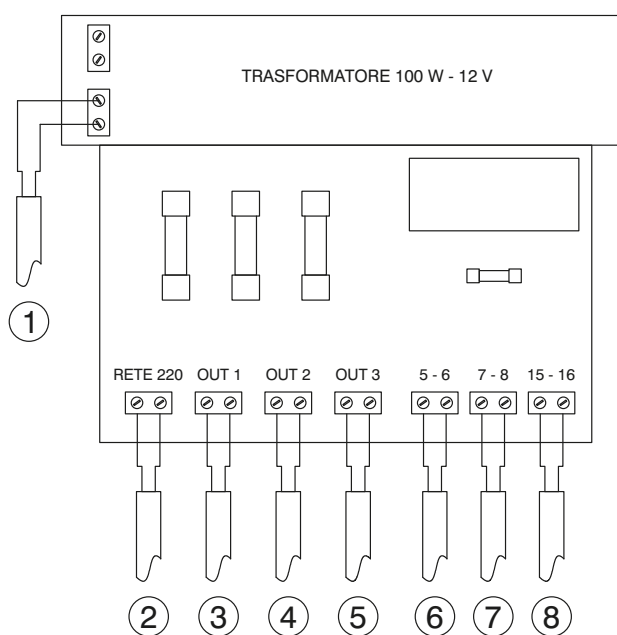


T CONTROL 1 TABLE

		T CONTROL 1 100100832	T CONTROL 1 100100830
Ignition 1	Lighting	●	●
Ignition 2	Mains	●	●
Ignition 3	Filtration Pump	●	●
Ignition 4	Jacuzzi Pump	●	●
Ignition 5	Transformer + Solenoid	●	●
Ignition 6	Temperature Probe	●	●
Ignition 7	Electric Switch	●	●
Ignition 8	Electricity Level Control	●	●



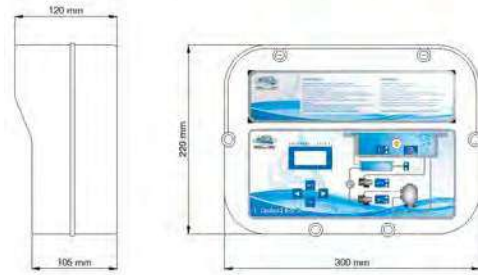
- ① Lighting
- ② Mains 220 / 230 VAC
- ③ Filtration Pump MAX 2.20 KW - MONO
- ④ Jacuzzi Pump MAX 2.20 KW - MONO
- ⑤ Transformer + Solenoid
- ⑥ Temperature Probe mod. NTC
- ⑦ Electric Switch
- ⑧ Electricity Level Control



- ① Terminal TRANSFORMER
- ② Terminal "MAINS 220"
- ③ Terminal "OUT 1"
- ④ Terminal "OUT 2"
- ⑤ Terminal "OUT 3"
- ⑥ Terminal "5 - 6"
- ⑦ Terminal "7 - 8"
- ⑧ Terminal "15 - 16"

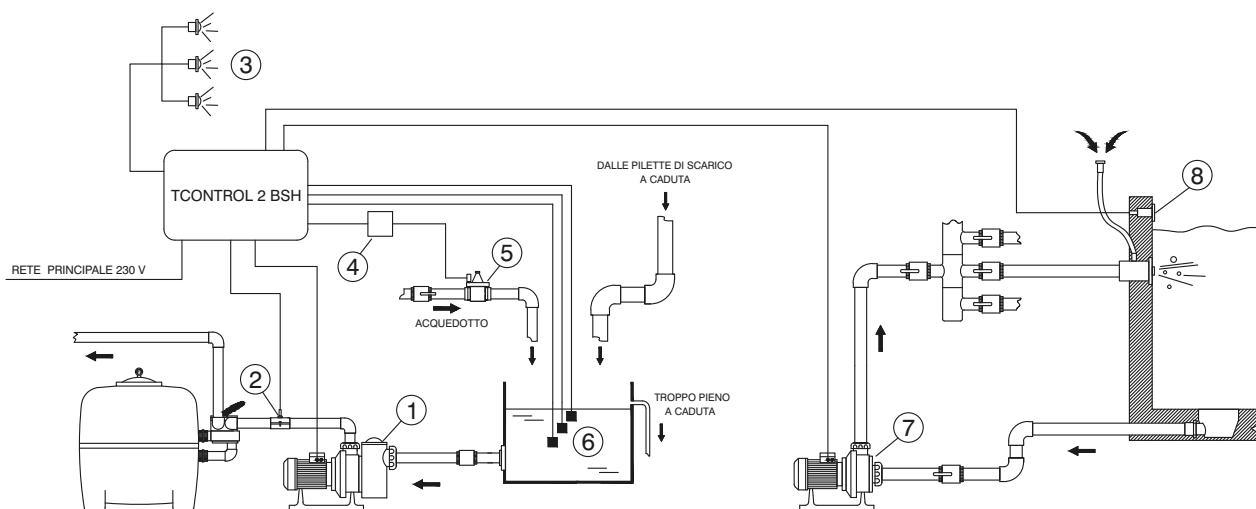


T KONTOL 2

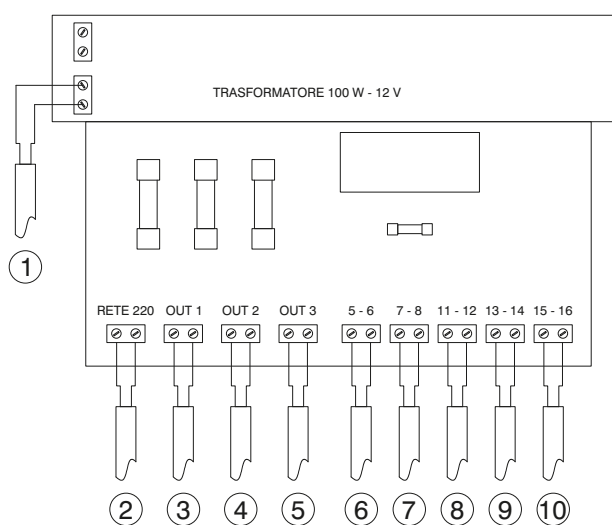


T CONTROL 2 TABLE

		T CONTROL2 100100842	T CONTROL 2 100100840
Ignition 1	Lighting	●	●
Ignition 2	Mains	●	●
Ignition 3	Filtration Pump	●	●
Ignition 4	Jacuzzi Pump	●	●
Ignition 5	Transformer + Solenoid	●	●
Ignition 6	Temperature Probe	●	●
Ignition 7	Electric Switch	●	●
Ignition 8	Floater down	●	●
Ignition 9	Floater - Solenoid	●	●
Ignition 10	Floater up	●	●



- ① Lighting
- ② Mains
- ③ Filtration Pump
- ④ Jacuzzi Pump
- ⑤ Transformer + Solenoid
- ⑥ Temperature Probe
- ⑦ Electric Switch
- ⑧ Floater down
- ⑨ Floater - Solenoid
- ⑩ Floater up



- ① Terminal TRANSFORMER
- ② Terminal "MAINS 220"
- ③ Terminal "OUT 1"
- ④ Terminal "OUT 2"
- ⑤ Terminal "OUT 3"
- ⑥ Terminal "5 - 6"
- ⑦ Terminal "7 - 8"
- ⑧ Terminal "11 - 12"
- ⑨ Terminal "13 - 14"
- ⑩ Terminal "15 - 16"

POOL EQUIPMENTS

POOL CONTROL PANEL		Residual current relay. Motor protection. Time clocks. Votamat. Pak switch. Monophase socket. Ignition units. Our solution partner is ABB.
CODE		DESCRIPTION
Y0623	Monophase	1 Group Pump 1 Group Lamp (10 lamps)
Y0624		2 Group Pump 1 Group Lamp (10 lamps)
Y0626	Threephase	1 Group Pump 1 Group Lamp (10 lamps)
Y0627		2 Group Pump 1 Group Lamp (10 lamps)
Y0628		3 Group Pump 1 Group Lamp (10 lamps)
Y0629		4 Group Pump 1 Group Lamp (10 lamps)
Y0630		5 Group Pump 1 Group Lamp (10 lamps)



- Panel production is available upon request. Ask for price

POOL CHEMICAL DOSING SYSTEMS

A - POOL SYSTEM pH - RX		pH - Rx automatic chlorine reading for swimming pools, modules include probe holder, flow sensor, pre-fitre, grounding, electrodes, calibration fluids, low chemical level probe. Ready for installation. PVDF chlorine dosing head and PP pH dosing pump.	
CODE	MODEL	CAPACITY (L/h)	BAR
AD80020050D	A-Pool System	5	5



A - POOL SYSTEM pH - RX		pH - Rx automatic chlorine reading for swimming pools, modules include probe holder, flow sensor, pre-filter, grounding, electrodes, temperature probe, calibration fluids, low chemical level probe. Ready for installation. pH-Rx dosing pumps for swimming pools as a panel, ability to transfer pool water results to computer screen by wiring	
CODE	MODEL	CAPACITY (L/h)	BAR
ADPS101	A-Pool System	10	4

- Control panel and proportional regulation of pH and chlorine for private pools.

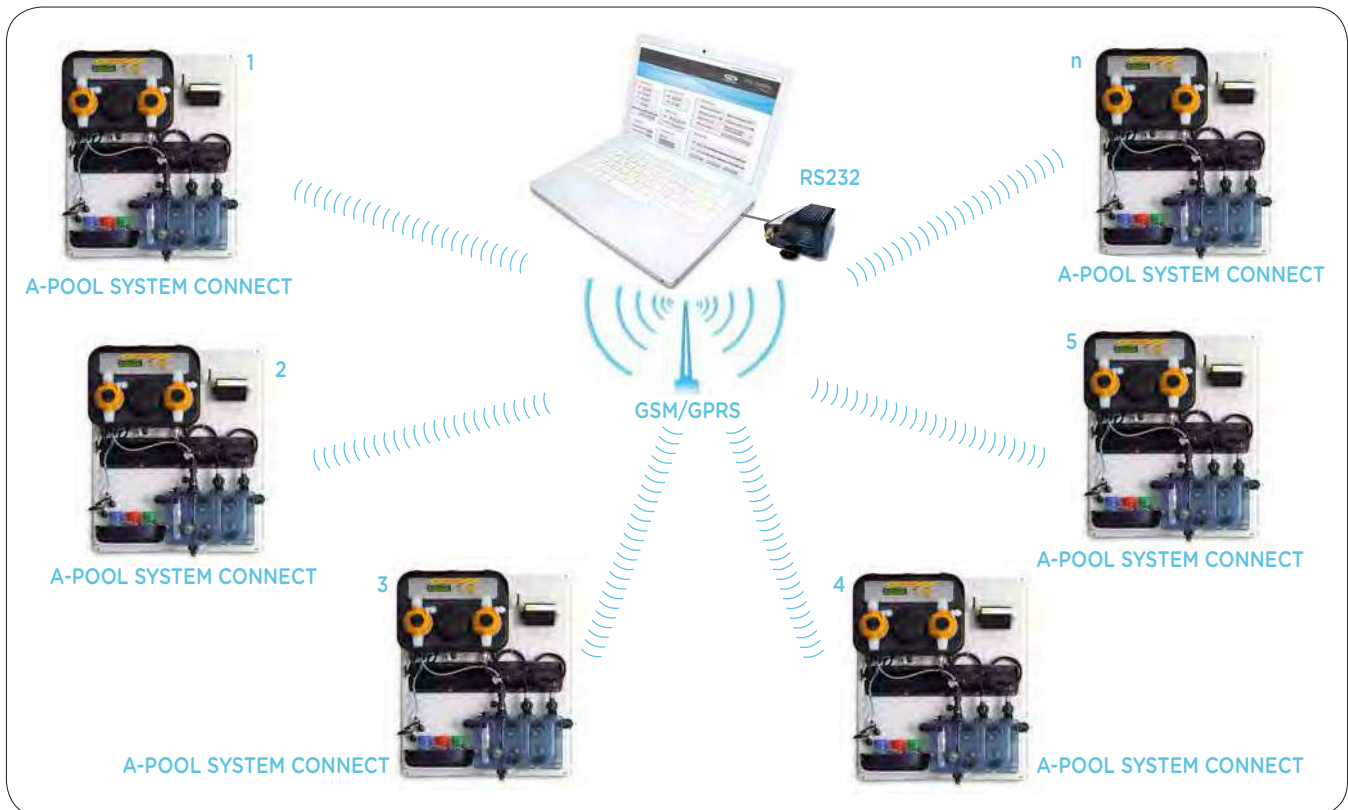
	Standard Version
Pump body	PVDF
Diaphragm	PTFE
Ball check valves	PTFE
Valve fitting	PVDF
Gaskets and O-rings	Viton®
Injection fittings	PVDF
Foot valve	PVDF



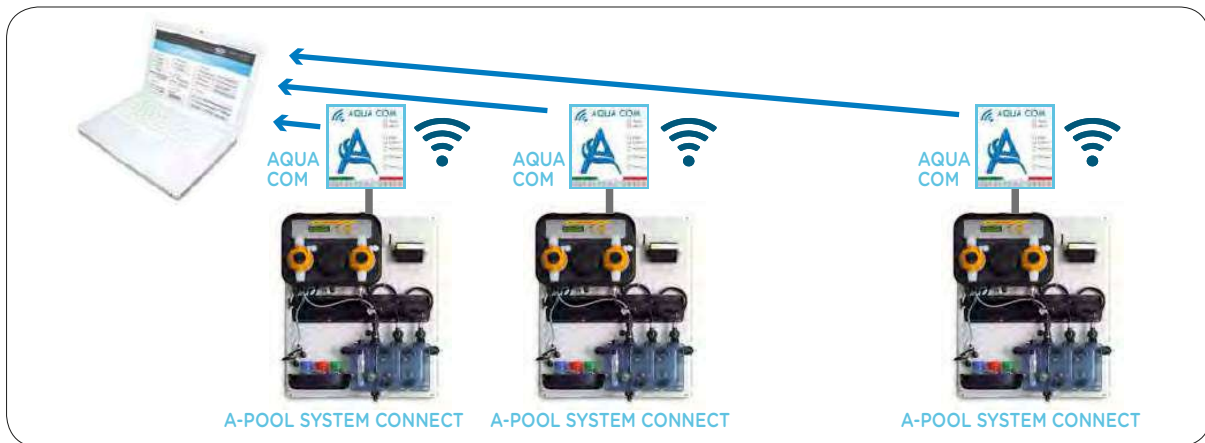
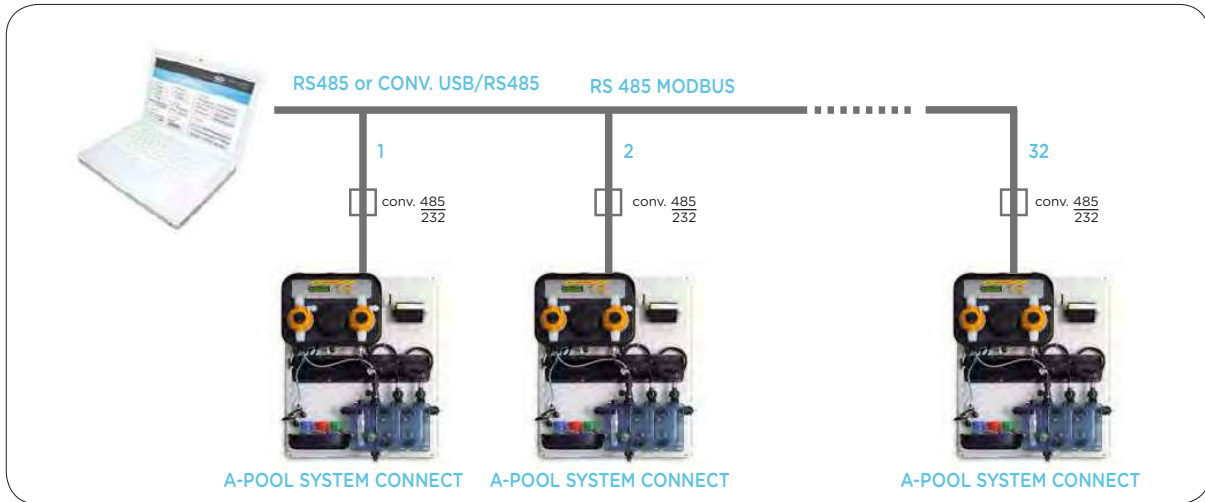
A- POOL CONNECT SYSTEM pH - RX (WIRED REMOTE CONNECTION)		pH - Rx automatic chlorine reading for swimming pools, modules, probe holder, flow sensor, pre-filter, grounding, electrodes, temperature probe, calibration fluids, 2 lowchemical level probes included. Ready for installation. pH Rx dosing pumps for swimming pools as a panel, ability to transfer pool water results to computer screen by wiring, PVDF pump heads, PTFE check valve. GSM/GPRS control of poolwater values by wiring, pH measurement range: 0 - 14 pH, Rx measurement range: 0 - 1500m V. ADCONVI - converter for remote connection. ASP6000658 - USB to RS232 adapter included.	
CODE	MODEL	CAPACITY (L/h)	BAR
ADPS401	A-Pool System pH-Rx PVDF-PT- FE-VT	10	4



CONNECT VERSION REMOTE CONNECTION DIAGRAM



POOL EQUIPMENTS



HC 151+ pH Set		Set: Combined with pH meter. 0-14 pH range. Digital control and digital display. Electronic frequency. Microprocessor technology. 110- 230 Vac. IP65 protection class. Passwordprotection. Statistics. Manufactured with flow sensor and level probe output. 5m pH electrode, in-line e	
CODE	MODEL	CAPACITY (L/h) (Flow Rate)	BAR PRESSURE
AD96202H0000P	HC 151+ pH Set	1,8	20
		4	1
		4	12
		7	1
		5,8	9
		14	1



HC 151+ Rx SET		Set: Combined with Rx meter. 0-1500 mV measurement range. Digital control and digital display. Electronic frequency adjustment, microprocessor technology, 110-230 Vac. IP65 protection class. Password protection. Statistics. Flow sensor and level probe output. 5m Rx electrode, in-line electrode holder A-psl, calibration fluids included.	
CODE	MODEL	CAPACITY (L/h) (Flow Rate)	BAR (PRESSURE)
AD96202H0000R	HC 151+ Rx Set	1,8	20
		4	1
		4	12
		7	1
		5,8	9
		14	1

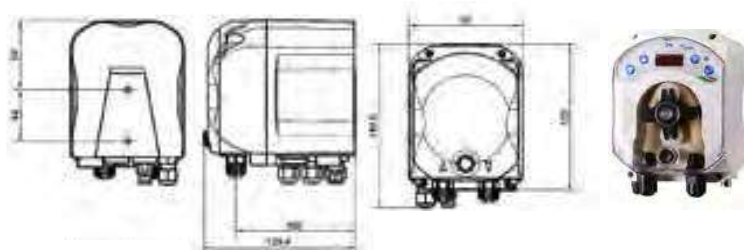


HC 151 pH + HC 151 Rx PANEL		The new generation Aqua HC 151 dosing pump offers better performance in difficult working conditions with its reinforced PP body, while providing a high level of control in chemical dosing with flow sensor input, relay output for alarm and extra pump, statistics and password protection features. System content: Aqua HC 151 pH controlled dosing pump, Aqua HC 151 Redox controlled dosing pump, pH electrode with 5m cable, Redox electrode with 5m cable, A-Psl probe holder fittings, Aqua Kid probe holder housing, pH calibration fluids, Redox calibration fluid, mounted on the panel.	
CODE	MODEL	CAPACITY (L/h)	BAR
AD962020PHRXP	HC 151 Panel Set	3	12
		4	10
		5	8



PERISTALTIC pH and Redox CONTROLLED DOSING PUMPS		Power 230V Consumption 45 Watt (Max.), Santoprene pH: pH controlled automatic dosing pump set (simpool + pH electrode + electrode holder + calibration liquid) Rx: Rx controlled automatic dosing pump set (simpool + Rx electrode + electrode holder + calibration fluid)	
CODE	MODEL	CAPACITY (L/h)	BAR
ADD100301000A000	Simpool pH	3	1
ADD200301000A000	Simpool Rx	3	1

• Please consult for the model with temperature meter



CHLORINATOR		Non-electric chlorination device
CODE	DESCRIPTION	
70080001	COFF line chlorinator, 4 kg reservoir	



AQUA SALT CHLORINATOR

AQUA SALT is a chlorinator for swimming pools up to 200 m³. The device produces chlorine used as a disinfectant in swimming pools. During the electrolysis period, the water passing through the chlorine producing cell turns into chlorine. Thanks to the salt chlorinator, you do not have to buy, store or add chlorine to the pool.

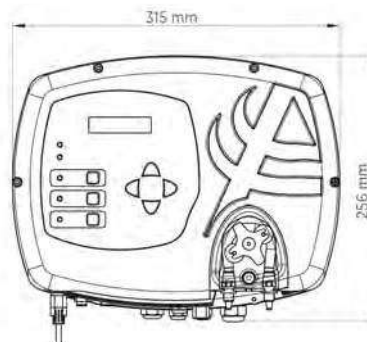
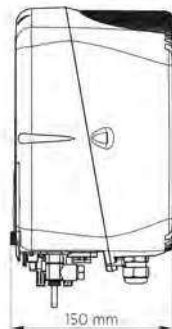
You only need to add salt initially to the water to reach the required concentration. Aqua Salt chlorinator has 4 different models.

- Standard Model
- pH Model
- pH—Rx Model
- Ph—CLJ Model

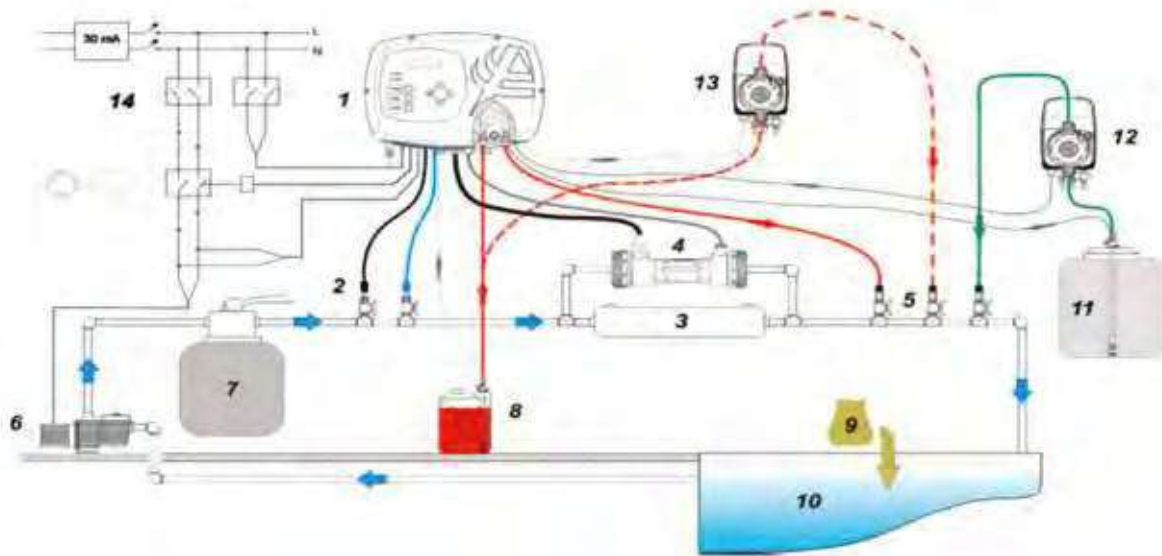
TECHNICAL SPECIFICATIONS

Power supply	180-260 VAC 50/60
Max. consumption	Hz 300W
Cell source	24 VDC 10A
Max. chlorine production	40 gr/h
Cell hydraulic connections Max. working	D.50 or D.63 3,75 bar

Double safety during flow, saturation index indicator, IP65 protection class, language option, self-calibration for automatic pool covers, renewable electrolysis cell body, dosing pump output to complete the salt concentration, titanium plates, free software for Windows-based administrations on all models.



ASSEMBLY DIAGRAM



- 1 Control device AQUA SALT
- 2 pH-Rx probe
- 3 Boiler
- 4 Electrolytic cell
- 5 pH injection valve
- 6 Recirculating pump
- 7 Sand filter
- 8 pH tank
- 9 Swimming pool salt
- 10 Swimming pool
- 11 Brine
- 12 Brine pump
- 13 pH additional pump
- 14 Wiring

Model	Standard	pH	pH/CLJ	pH-Rx
pH electromagnetic pump	x	√	√	√
Brine dosing electromagnetic pump	x	√	√	√
Temperature sensor	√	√	√	√
Electrolytic cell self-cleaning	√	√	√	√
Replaceable electrolytic cell	√	√	√	√
Automatic chlorine adjustment	x	x	√	√
Heat and UV light dependent production	√	√	x	x
Super chlorination mode (boost)	√	√	√	√
Shutdown mode	√	√	√	√
Winter mode	√	√	√	√
Password	√	√	√	√
RS232 and RS485 serial connections	√	√	√	√
Bluetooth connection	x	O	O	O
Estimated lifetime of the electrolytic cell (20,000 hours)	5/7 yil	5/7 yil	5/7 yil	5/7 yil
Flow sensor	√	√	√	√
pH level reading and pH pump injection	x	√	√	√
Chlorine level reading with AJ cell	x	x	√	x
Chlorine level reading with Redox sensor	x	x	x	√

√ Available X Not Available O Optional

- 20,000 hours cell life
- Titanium plates
- Minimum energy consumption
- Flow sensor
- Temperature probe
- IP65 protection class
- Renewable cell
- Free Windows software
- 3.75 bar working pressure
- Password protected
- Solenoid pH pump output
- Salt pump output
- Reverse polarization

STANDARD		Automatic salt chlorinator, digital display, self-cleaning electrodes thanks to reverse polarization, titanium electrodes, flow sensor and warning light to prevent dehydration, salt regulator function, easy cell change, IP65 protection class, dosing pump output to complete salt concentration, software for windows-based management on all models.	
CODE	MODEL	gr/h	POOL (m3)
ADSAL100P50	Standart	10	50
ADSAL100P100		20	100
ADSAL110P150		30	150
ADSAL110P200		40	200



STANDARD + pH CONTROLLED		The integrated pH dosing pump enables pH measurement and dosing. The control unit includes pH probe and calibration kit.	
CODE	MODEL	gr/h	POOL (m3)
ADSAL200P50	pH Controlled	10	50
ADSAL200P100		20	100
ADSAL210P150		30	150
ADSAL210P200		40	200



Rx - pH CONTROLLED		Thanks to the integrated pH dosing pump, pH measurement and dosing is possible and the amount of chlorine in the pool water can be read with Redox and displayed on the screen. The control unit includes pH-Rx probe and calibration kit.	
CODE	MODEL	gr/h	POOL (m3)
ADSAL300P50	Rx-pH Controlled	10	50
ADSAL300P100		20	100
ADSAL310P150		30	150
ADSAL310P200		40	200



CLJ -pH KONTROLLÜ		The integrated pH dosing pump allows pH measurement and dosing, as well as reading the amount of free chlorine in the pool water in ppm and displaying it on the screen. The control unit includes free chlorine probe and calibration kit.	
CODE	MODEL	gr/h	POOL (m3)
ADSAL400P50	CLJ-pH Controlled	10	50
ADSAL400P100		20	100
ADSAL410P150		30	150
ADSAL410P200		40	200



PACKAGE INCLUDED

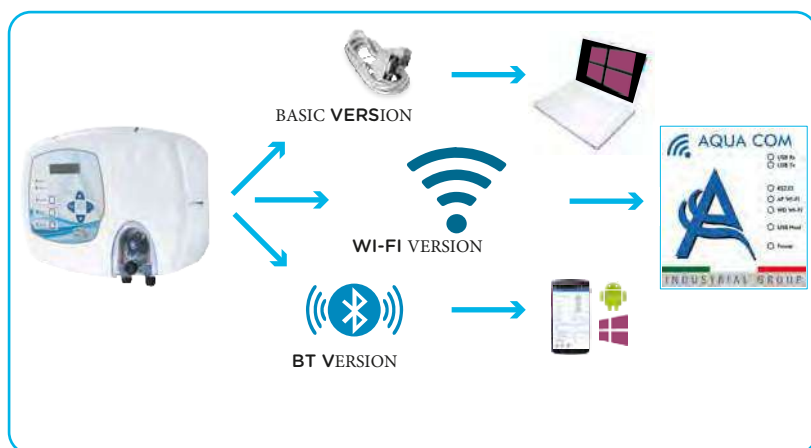
STANDARD											
		ADSP6020156									
PH											
		ADSP6020156	ADELPH05	ADSPH4/7	ADPSTC	ADSP60 00001	ADSP60 00551				
PH-RX											
		ADSP6020156	ADELPH05	ADSPH4/7	ADPSTC	ADSP60 00001	ADSP60 00551	ADELTRX 05G	ADSRX	ADSP6000111	ADPSTI
PH-C LJ											
		ADF V3	ADELPH01	ADSPH4/7	ADSP60 00049	ADSP60 00001	ADSP60 00551	ADELCL J25S	ADSP60 00440	ADSP5005002 ADSP5004002	

AQUA SALT	DESCRIPTION
	Spare parts
CODE	DESCRIPTION
ADSP8000109N	Santoprene hose for 4x6 tube
ADSP6002248	Flow sensor with BNC
ADCAV003	Cell connection cable
ADSP6002454	Pressure switch connection cable
ADSP6002292	Pressure switch kit
ADSP6002455	BNC for pressure switch



AQUA SALT	DESCRIPTION
	Optional parts.
CODE	DESCRIPTION
700800121N	Toprak bağlantı kiti (2 elektrot)
ADSP6000659	Null modem adapter for RS 232/485
ADSP6000658	RS 232 USB cable
ADSP6000550A	Bluetooth kit
ADSP6002451	Pump connection cable 5 m
AD980040Y0000	Brine solenoid pump HC 899 50 lt.
ADSP6002452	Connection cable

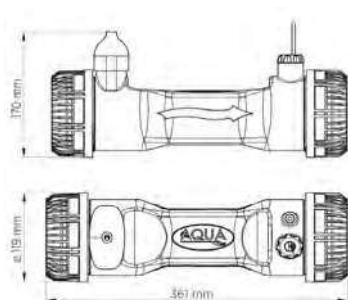
POOL EQUIPMENTS



- > Switching the device on and off via WIFI (AQUA COM module) and BT (free AQUA SALT app)
- > Activating/deactivating the device
- > Activating/deactivating winter mode
- > Increasing the percentage of chlorine in the pool
- > Reading pH and Rx value
- > Alarm control
- > Setting a setpoint

AQUA SALT CELL

The disinfectant chlorine is produced in the electronic cell.



TECHNICAL SPECIFICATIONS

- > Titanium plates
- > AISI 316 connection pins
- > PT 100 temperature probe
- > Max. operating pressure: 2.5 bar
- > Max. chlorine production: 40 g/h
- > Burst pressure: 4 bar
- > Cell connection D.50 or D.63
- > Interchangeable cell transparent body
- > Cell power supply: 24 VDC
- > Max. power drawn: 240 W

CODE	MODEL	SWIMMING POOL SIZE	CHLORINE PRODUCTION	RECOM-MENDED SALT LEVEL	MAX. SALT LEVEL
ADCEL050+	50	Max. 50	Max. 10 g/h	3,5-4,5 g/lt.	8 g/lt.
ADCEL100+	100	Max. 100	Max. 20 g/h	3,5-4,5 g/lt.	8 g/lt.
ADCEL150+	150	Max. 150	Max. 30 g/h	3,5-4,5 g/lt.	8 g/lt.
ADCEL200+	200	Max. 200	Max. 40 g/h	3,5-4,5 g/lt.	8 g/lt.

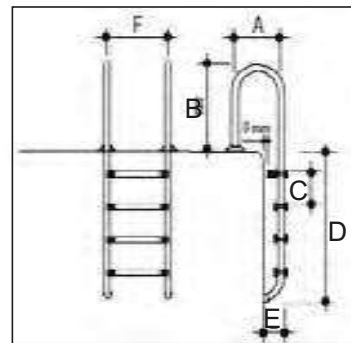
LADDERS

EQUA MURO (AISI 304)		Handles made of AISI 304 stainless steel (Ø43). Standard model.
CODE	MODEL	DESCRIPTION
Y0342	Equa Muro	2 Steps
Y0343		3 Steps
Y0344		4 Steps
Y0345		5 Steps



CODE	A	B	C	D	E	F
Y0342	370	610	250	696	200	500
Y0343	370	610	250	946	200	500
Y0344	370	610	250	1196	200	500
Y0345	370	610	250	1446	200	500

DIMENSIONS: mm

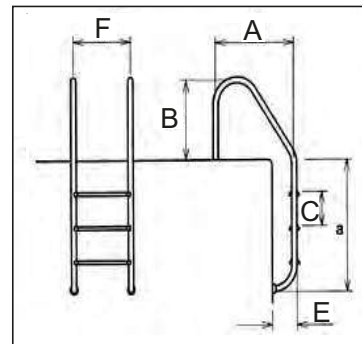


EQUA STANDARD (AISI 304)		Handles made of AISI 304 stainless steel (Ø43), stainless steel non-slip steps with mounting parts.
CODE	MODEL	DESCRIPTION
Y03425	Equa Standard	2 Steps
Y03435		3 Steps
Y03445		4 Steps
Y03455		5 Steps



CODE	A	B	C	D	E	F
Y03425	664	610	250	696	200	500
Y03435	664	610	250	946	200	500
Y03445	664	610	250	1196	200	500
Y03455	664	610	250	1446	200	500

DIMENSIONS: mm



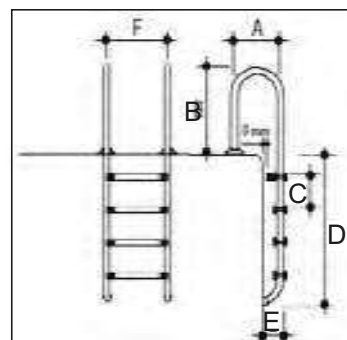
POOL EQUIPMENTS

EQUA MURO (AISI 316)		Handles made of AISI 316 stainless steel (Ø43). Standard model.
CODE	MODEL	DESCRIPTION
Y0348	Equa Muro	2 Steps
Y0346		23Steps
Y0347		34Steps
Y0349		5 Steps



CODE	A	B	C	D	E	F
Y0348	370	610	250	696	200	500
Y0346	370	610	250	946	200	500
Y0347	370	610	250	1196	200	500
Y0349	370	610	250	1446	200	500

DIMENSIONS: mm

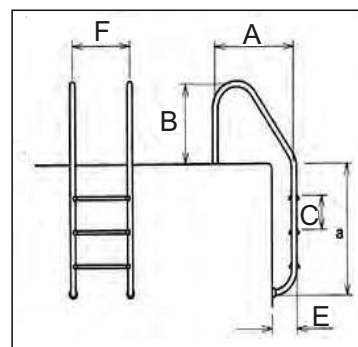


EQUA STANDART (AISI 316)		Handles made of AISI 316 stainless steel (Ø43), stainless steel non-slip steps with mounting parts.
CODE	MODEL	DESCRIPTION
Y0350	Equa Standard	2 Step
Y0451		3 Step
Y0457		4 Step
Y0458		5 Step

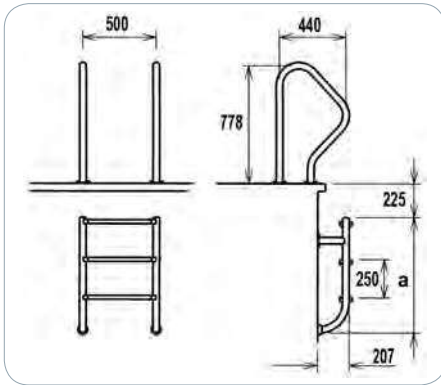


CODE	A	B	C	D	E	F
Y0350	664	610	250	696	200	500
Y0451	664	610	250	946	200	500
Y0457	664	610	250	1196	200	500
Y0458	664	610	250	1446	200	500

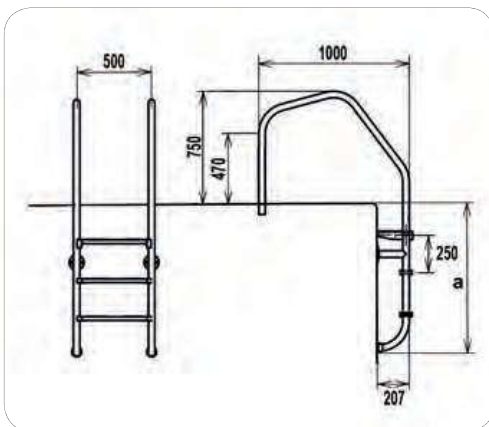
DIMENSIONS: mm



AQUA SPECIAL (AISI 316)		AISI 316 stainless steel (Ø43)..	
CODE	MODEL	DESCRIPTION	
500500015	Aqua Özel	2 Steps / H90	
500500016		3 Steps / H120	
500500017		4 Steps / H150	

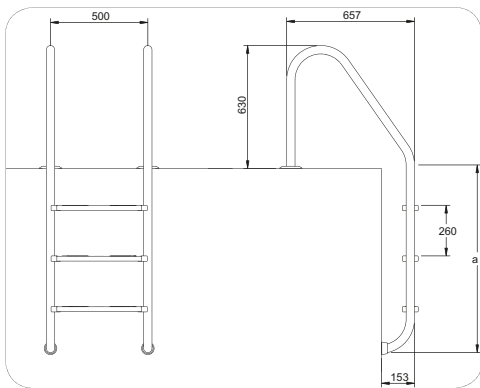


AQUA MURO (AISI 316)		Handles made of AISI 316 stainless steel (Ø43). Muro model. For overflow pools.	
CODE	MODEL	DESCRIPTION	A.
500500029	Aqua Muro	2 Step	696
500500030		3 Step	946
500500031		4 Step	1196



POOL EQUIPMENTS

AQUA STANDART (AISI 316)		Handles made of AISI 316 stainless steel (Ø43), stainless nonslip steps with mounting parts.	
CODE	MODEL	DESCRIPTION	A.
500500026	Aqua Standard	2 Steps	696
500500027		3 Steps	946
500500028		4 Steps	1196



EDGE HANDLES

EDGE HANDLES		Pool edge handles made of AISI-304 stainless steel Ø42 mm pipe.
CODE	MODEL	DESCRIPTION
HY0007	Equa	0,5 m
HY0008		1 m
HY0009		2 m
HY0010		2,5 m



SHOWER AND WATERFALLS

SOLAR SHOWER		Solar showers made of stainless steel material have a tank capacity of 25 L. allows you to heat water with solar energy. It also has a foot washing faucet
CODE	MODEL - DESCRIPTION	
500500641	Shower solar shower gray + foot sprinkler	



EQUA WATERFALL		Cobra type water curtain.	
CODE	MODEL	DESCRIPTION	CONNECTION
HY0001	Equa	Mini type AISI 304	2"
HY0002		Midi tip AISI 304	2"
HY0003		Maxi type AISI 304	2"
HY0004		Mini type AISI 316	2"
HY0005		Midi type AISI 316	2"
HY0006		Maxi type AISI 316	2"

POOL EQUIPMENTS

LAMPS

EQUA LAMP (EQUA SLIMART)		Light power 2000 lumens. Light angle 120°. Color temperature 6500°K. Supply voltage 12 VAC. Power 26 W. Degree of protection IP68.
CODE	MODEL	DESCRIPTION
Y0636	Siva Üstü	White led lamp set
Y0159		Daylight led lamp set
700800220		Blue led lamp set
Y0616	Led Lamba	White
Y0341		Daylight
Y0339		Blue



EQUA LAMP (EQUA SHINE)		Light power 2000 lumens, light angle 120°. Color temperature 6500°K. Supply voltage 12 VAC. Power 30 W. Degree of protection IP68.
CODE	MODEL	DESCRIPTION
Y0340	Flush Mounted	White led lamp set
Y0029		Daylight led lamp set
Y0616	Led Lamp	White
Y0341		Daylight
Y0339		Blue
Y0740	Lamp Sleeve	



MINI SLEEVE LAMP		
CODE	MODEL	DESCRIPTION
Y0742	Flush Mounted	Mini flush mounted LED Lamp



FLOOR ORNAMENTAL LAMP		
CODE	MODEL	DESCRIPTION
Y0762	Underwater	120W - 24V floor ornamental pool lamp
Y0775	Underwater	50W - 12V floor ornamental pool lamp



AQUA LUX LED (BETONARME)		High power usage thanks to its polycarbonate structure, injection mold, IP68 protection class, low consumption, high brightness (approx. 2000 lumens), operation with standard transformers allows easy replacement in existing systems, color changing version can be controlled by on-off or remote control. Conforms to EN 60598 standards. 5 years warranty.
CODE	MODEL	DESCRIPTION
200301011	Aqua Lux	10 Watt led white - set (1 pc/20m ²)
200300004		35 Watt led white - set (1 pc/50m ²)
200300020		25 Watt led blue - white - set (1 pc/25m ²)
200300006		RGB led - set (1 adet/20m ²)
Standard pack: Lamp+25m. lamp sleeve+2,5m. H07 cable+conduit box+crimp connector+cable spiral.		

• CE, ROHS, UNI EN 16582



AQUA LUX LED (LINER)		High power usage thanks to polycarbonate structure, injection mold, IP68 protection class, low consumption, high brightness (approx. 2000 lumens), operation with standard transformers allows easy replacement in existing systems, color changing version can be controlled by on-off or remote control. Conforms to EN 60598 standards. 5 years warranty.
CODE	MODEL	DESCRIPTION
200301010	Aqua Lux	10 Watt led white - set (1 pc/15m ²)
200300003		35 Watt led white - set (1 pc/50m ²)
200300019		25 Watt led blue - white - set (1 pc/25m ²)
200300005		RGB led - set (1 adet/20m ²)
Standard pack: Lamp+25 cm. lamp sleeve+2,5m. H07 cable+conduit box+crimp connector+cable spiral		

• CE, ROHS, UNI EN 16582



SPOT LED LAMBA		
CODE	MODEL	DESCRIPTION
200300035	Spot	3,5 Watt White led light, 3m cable
200300035S		3,5 Watt White led light, 10m cable
200300037		10 Watt Multi-color light, 3m cable
200300037S		10 Watt Multi-color light, 10m cable

• CE, ROHS, UNI EN 16582



AQUA LAMP TRANSFORMER AND REMOTE CONTROL MODULE		Lamp transformer.
CODE	MODEL	DESCRIPTION
200300411	Aqua Lamp Transformer	60 Watt
200300412		100 Watt
200300413		300 Watt
200300030	Module	Remote control module for lamp (on-off)



POOL EQUIPMENTS

EQUA FILL TRANSFORMERS	
CODE	DESCRIPTION
Y0819	100W 12v Output 220V Input
Y0191	300W 12v Output 220V Input
Y0820	400W 12v Output 220V Input
Y0821	600W 12v Output 220V Input

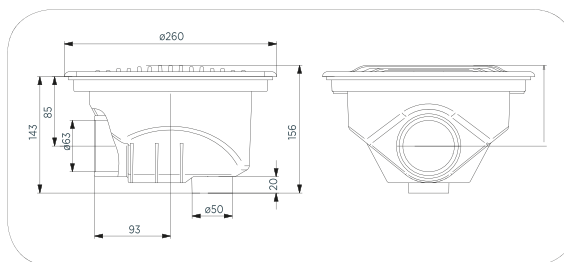


BOTTOM STRAINER

AQUA BOTTOM SUCTION		DESCRIPTION
CODE	MODEL	DESCRIPTION
200200038	Aqua	Drainage, reinforced concrete pools

White ABS plastic, swirl grille, level control system with fine adjustment screw, D.63 internal adhesive, socket ends and 316 stainless steel screws. 28,11 m³/h - 0,5 m/s : 16,86 m³/h - 0,3 m/s. H 150mm 250x250mm. in accordance with UNI 13451 standards. Anti Vortex.

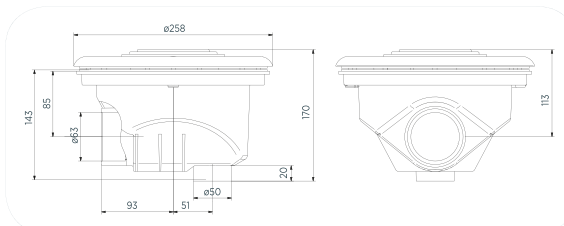
- Anti Vortex



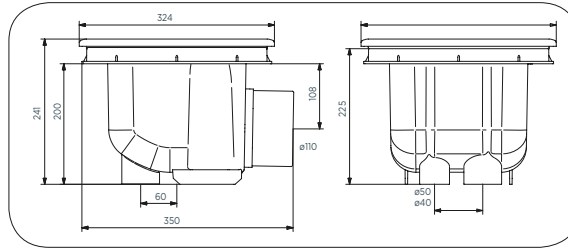
AQUA BOTTOM SUCTION		DESCRIPTION
CODE	MODEL	DESCRIPTION
200200037	Aqua	Drainage, liner pools

White ABS plastic, swirl grille, level control system with fine adjustment screw, D.63 internal adhesive, socket ends and 316 stainless steel screws. 29,72 m³/h - 0,5 m/s : 17,9 m³/h - 0,3 m/s. H 150mm Ø258. According to UNI 13451 standards. Anti Vortex

- Anti Vortex



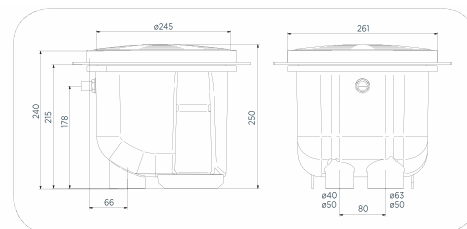
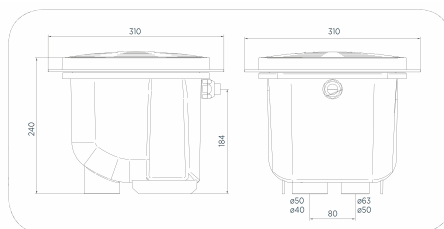
AQUAMAX		Made of white ABS plastic, ideal for large volume pools, D.110 adhesive, socket ends and 316 stainless steel screws, 52.71 m ³ /h - 0.5 m/h : 31,62 m ³ /h - 0,3 m/h. 315x315mm. according to UNI13451 standards. Anti Vortex.
CODE	MODEL	DESCRIPTION
200200061	Aquamax	Main drainage, reinforced concrete pools
200200060		Main drainage, liner pools
20020006KIT		Adapter kit (Optional)



EQUA BOTTOM SUCTION COVER		
CODE	MODEL	DESCRIPTION
Y0637	Equa	220 x 20 cm square grill
Y0617		26.5 x 26.5 cm square grill



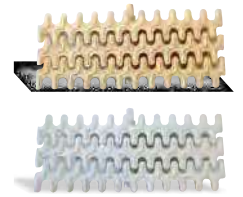
AQUA LEVEL REGULATOR		Cover adapter, level sensor, level sensor adjustment. Complies with UNI 13451 standards
CODE	MODEL	DESCRIPTION
200200059	Regulator	Mechanical level regulator
200200730		Electronic level regulator



POOL EQUIPMENTS

GRILLS

EQUA PLASTIC GRILL		Made of plastic, special design to prevent the passage of leaves into the overflow tank. Compliant with UNI 13451 standards.
CODE	MODEL	DESCRIPTION
400400010	Equa Grill	20 cm single insert
400400015		25 cm single insert
Y0445	Pool Edge	Pool edge PVC sluice lath



EQUA PLASTIC GRILL		
CODE	MODEL	DESCRIPTION
400400011	Equa	20 cm single insert
400400012		25 cm single insert
400400013		30 cm double insert



CORNER PIECES

POOL CORNER PIECES		Equa corner piece
CODE	MODEL	DESCRIPTION
Y0086P	Equa	Corner piece 20 cm 45° polyester
Y0143P		Corner piece 25 cm 45° polyester
Y0939		Corner piece 30 cm 90° polyester
Y0085P		Corner piece 20 cm 90° polyester
Y0142P		Corner piece 25 cm 90° polyester



NOZZLE

BOCCHETTE		Wall type feed nozzle, a special feed nozzle that allows water to be fed into the pool at a wide angle, 9 m3/h flow rate, 2" connection. Compliant with UNI 13451 standards.
CODE	MODEL	DESCRIPTION
200200017F	Bocchette	For reinforced concrete pools
200200016F		For Panel Liner pools
200200048F		For reinforced concrete liner pools



BOCCHETTA		Floor type feed nozzle in pools, 9 m3/h flow rate. Compliant with UNI 13451 standards. 2" connection.
CODE	MODEL	DESCRIPTION
200200028F	Bochetta	For reinforced concrete pools
200200027F		For liner pools



EQUA FEED NOZZLE		Constant flow feed nozzle for reinforced concrete pools.
CODE	MODEL	DESCRIPTION
Y0337	Equa	Ø 50
Y0338		Ø 63



EQUA FEED NOZZLE		Adjustable flow rate feed nozzle for reinforced concrete pools.
CODE	MODEL	DESCRIPTION
Y0652	Equa	Ø 50
Y0152		Ø 63

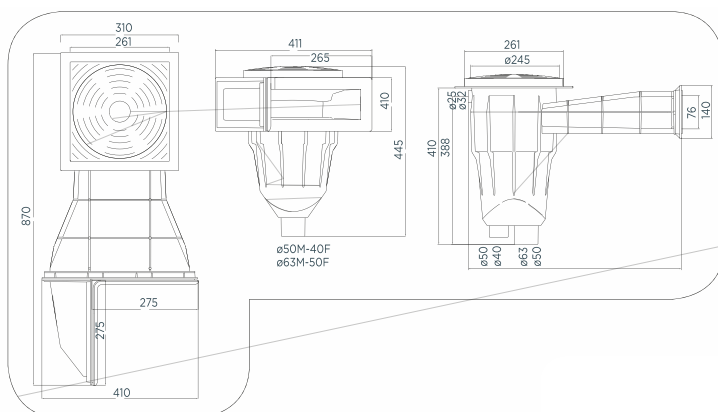


EQUA VACUUM NOZZLE		Constant flow vacuum nozzle for reinforced concrete pools.
CODE	MODEL	DESCRIPTION
Y1121	Equa	Ø 50
Y0408		Ø 63



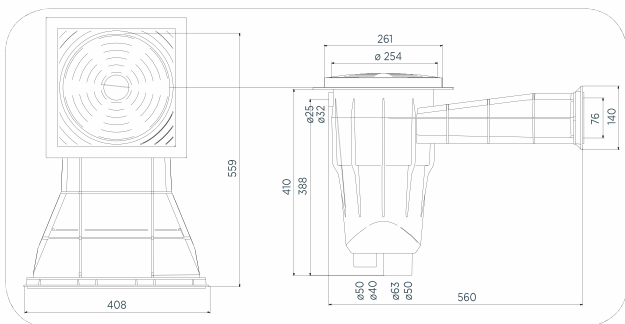
SKIMMER

SKLANG CORNER SKIMMER		As is well known, all suspended and floating matter in the water accumulates in the corners. The seen corner skimmer collects all the impurities by creating a vortex effect. SKlang, our Patented Corner Skimmer, guarantees to collect all the pollution load in the water with its natural funnel-shaped structure. It is known that in skimmer type pools, the water staying too low below the surface creates a bad view. Thanks to our Corner Skimmer, the water can rise to a very close distance to the surface and the bad view is eliminated. PP material, surface weir for pressure testing. Internal system, socket part, INOX 316 screw. Flow rate 9.82 D.50 - 15.61 D.63. Noiseless covers. In accordance with UNI 13451 standards.
CODE	MODEL	DESCRIPTION
200200002	SKlang	For reinforced concrete pools
200200001		For liner pools

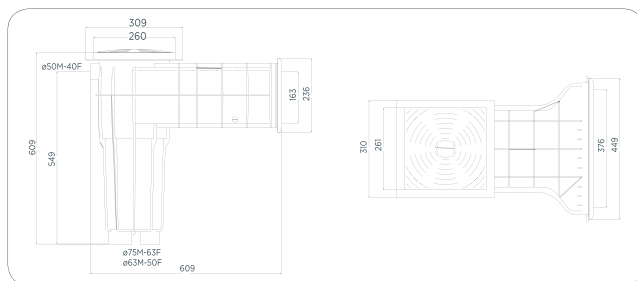


POOL EQUIPMENTS

OVERFLOW SKIMMER		Injection in one piece, special design to keep the water level up, with square frame cover. D.50 9,82 m ³ /h - D.63 15,61 m ³ /h in accordance with UNI 13451 standards.
CODE	MODEL	DESCRIPTION
200200004	OverFlow	For reinforced concrete pools
200200003		For liner pools



WIDE MOUTH MAXI SKIMMER		Wide mouth type offers good circulation thanks to its high performance. D.50 9,82 m ³ /h - D.63 15,61 m ³ /h - D.75 22,08 m ³ /h Conforms to UNI 13451 standards.
CODE	MODEL	DESCRIPTION
2002C0004	Klasik	For reinforced concrete pools
2002C0003		For liner pools



EQUA SKIMMER		Classic skimmer.
CODE	MODEL	DESCRIPTION
Y0336	Skimmer	For reinforced concrete pools



FOOT DISINFECTANT POOL		
CODE	MODEL	DESCRIPTION
500500557	Aqua Lux	50x35x10cm White
500500558		70x45x10cm White



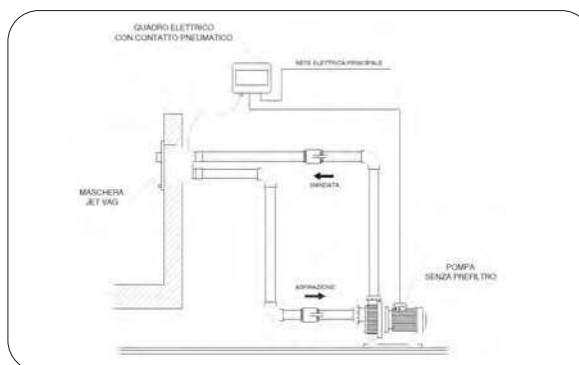
MAX JET

MAX JET	Provides uninterrupted swimming against countercurrent, especially for small and medium-sized pools. Mounted on the side wall together with the meter. The existing system creates a high speed adjustable water flow. The countercurrent swimming system is supplied with a pump that complies with CE standards. It is silent and can be installed in all pool models.
CODE	MODEL - DESCRIPTION
100160600	Max Jet – Wall piece



JETWAG

JETWAG	Provides uninterrupted swimming against countercurrent, especially for small and medium-sized pools. Mounted on the side wall together with the meter. The existing system creates a high speed adjustable water flow. The countercurrent swimming system is supplied with a pump that complies with CE standards. It is silent and can be installed in all pool.			
CODE	MODEL	POWER V	PUMP kW-HP	ELECTRIC PANEL
100160610	Jetwag	Monophase/ Single phase	2,2 kW-3,0 HP	SI
100160611	Jetwag	Triphase/Three phase	3,0 kW-4,0 HP	SI



PNÖMATİK BUTTON	Pneumatic button for On - Off switching. With 2 m cable and mounting nuts. IP68 protection class.
CODE	DESCRIPTION
100160422C	Pneumatic button



POOL EQUIPMENTS

WATER-AIRMIXTURE JET		Wall mounted ABS jet. Water inlet Ø 50, air inlet Ø 20.
CODE	DESCRIPTION	
108160000	Mixing jet 1" 1/2 MF	



STAINLESS STEEL JET		Wall mounted stainless steel jet (AISI 304). Steel flange and flange covers, adjustable air water mixture. Compliant with UNI EN 13451 standards.
CODE	DESCRIPTION	
100160210C	Stainless steel jet, liner	
100160211C	Stainless steel jet, reinforced concrete	



BLOWER

BLOWER	Housing and impellers made entirely of spark-proof aluminum. "CLOSED COUPLED" version; flange-mounted electric motor and machine body. The dynamically balanced impeller is attached directly to the motor shaft extension. Bipolar electric motors designed for continuous operation. Three phases for all powers and single phase up to			
CODE	DESCRIPTION	POWER V	CONNECTION	THERMIC A
100160552	Single phase	cl- 40 0,8 kW	1"1/2	6-9
100160553	Three phase	cl- 40 0,9 kW	1"1/2	2-4
100160554	Single phase	cl- 40 1,1 kW	1"1/2	6-9
100160555	Three phase	cl- 40 1,1 kW	1"1/2	2-4
100160556	Single phase	cl- 50 1,5 kW	2"	9-12
100160557	Three phase	cl- 50 1,5 kW	2"	4-6
100160558	Three phase	cl- 60 2,2 kW	2"	6-9
100160559	Three phase	cl- 60 3 kW	2"	6-9



Output Pressure	0	50		75		100		125		150		175		200		225		250	
Model	mc/h	mc/h	KW	mc/h	KW	mc/h	KW	mc/h	KW	mc/h	KW	mc/h	KW	mc/h	KW	mc/h	KW	mc/h	KW
CL 40 Monof.	150	118	0,8	103	0,8	89	0,8	74	0,8	59	0,8								
CL 40 Trif.	150	118	0,9	103	0,9	89	0,9	74	0,9	59	0,9	44	1,1	30	1,1				
CL 50	212	184	1,5	168	1,5	151	1,5	133	1,5	116	1,5	99	1,5	82	1,5				
CL 60	300	268	2,2	249	2,2	230	2,2	211	2,2	192	2,2	174	2,2	155	3	136	3	117	3

POOL CLEANING ACCESSORIES

POOL ALGAE BRUSH	Pool algae brush.
CODE	MODEL - DESCRIPTION
700700080	45 cm Plastik
700700081	45 cm Metal



TELESCOPIC BROOM HANDLE	Telescopic broom handle in different sizes.
CODE	MODEL - DESCRIPTION
700700020	2 x 2.4 m
700700021	3 x 2.5 m
700700022	3 x 3 m



VACUUM HOSE	
CODE	MODEL - DESCRIPTION
700700115	9 m – 1”1/2 Eva, with adapter
700700116	113 m – 1”1/2 Eva, with adapter
700700117	15 m – 2” Eva
700700118	30 m – 2” Eva
700700123	Pool Vacuum Hose Adapter 1”1/2
700700122	Pool Vacuum Hose Adapter 2”



- Adapters for 1”1/2 hoses are included in the hose price.

POOL EQUIPMENTS

POOL SURFACE BAGS	Pool surface bags in different shapes.
CODE	MODEL - DESCRIPTION
700700063	Deep Cleaning - Economical
700700067	Deep Cleaning - Lux



POOL CLEANER	Bottom broom for reinforced concrete pools.
CODE	MODEL - DESCRIPTION
700700011	1 1/2" Clip-on, L= 33 cm
700700018	2" Clip-on, L=45 cm

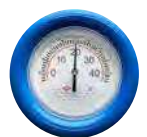


POOL CLEANER	Bottom broom for liner pools.
CODE	MODEL - DESCRIPTION
700700016	1 1/2" L=270 mm



POOL THERMOMETER

POOL THERMOMETER	Pools thermometer
CODE	DESCRIPTION
07074	Thermometer maxi



POOL LIFEBOUY

POOL LIFEBOUY	Pool lifebuoy.
CODE	DESCRIPTION
PG-15	Inner diameter 440 mm, outer diameter 720 mm



POOL ROBOTS

Number of motors Control box supply	3 200 – 240 VAC ; 50 Hz
Power supply	30 VDC
Working power	150 W
Cable length	15 m
Packaged size (L x W x h)	43 x 48 x 27 cm
Robot size (L x W x h)	56 x 56 x 46 cm
Filter surface and level	9,5 kg (packaged weight 19,2 kg) 1280 cm ² / 100 μ
Filter capacity	5 L
Teotic cleaning width	27 cm
Pump flow	16 m ³ /h



Electric Cleaning Robot

Patented Silicone Technology

No loss of suction power

The first Zodiac Silicone suction pool cleaners were designed. This technology circulates in the filter and creates a high power vortex. Thanks to the vortex created, the sediments constantly circulate in the filter and prevent them from filling the pores. Thus, it provides continuous and stronger suction.

Push'n Go TM

Easy access filter

The cleaning chamber is designed for easy removal with a simple push of the Push'n Go TM button.

Cleaning Programs

3 hours for each cleaning zone: floor / wall / water line only

Full Filter Indicator

Indicates when it is time to clean the filter to ensure maximum comfort and suction power

WHICH POOLS IS IT SUITABLE FOR?

Pool type; In-ground special pools and above-ground pools with rigid walls, maximum 12x6 m

Pool shape; Rectangle, oval, free shape

Floor shape; Flat, gentle and hard sloping floors

Pool surface; Liner, special paint, ceramic coated and polyester pools, special ceramic brush

POOL EQUIPMENTS

ZODIAC		Provides both floor and wall cleaning. 15 m cable length, creates a vortex with silicone technology and attracts pollution in the pool. 30 V 3 motor, weighs 9.5 kg, with a trolley.
CODE	MODEL	CAPACITY
AZ14007	Zodiac	16 m ³ /s



- 2 year warranty.

M3 DOLPHIN		Provides cleaning of both the pool floor and corners. It traps small and large debris with its own filter. Cleaning period 3 hours, cable length 18 m, motor unit 24 VDC, designed for home pools up to 10 m in length. Easy repair and maintenance with DIY technology.
CODE	MODEL	CAPACITY
A120005	Dolphin Supreme M3	17 m ³ /h



- 2 year warranty.

DOLPHIN WAVE 50		Provides both floor and wall cleaning, double drive axle. Ideal for 25 m semi-olympic pools, self-learning scanning program for optimal pool cleaning, signals on power when the filter is clogged. Cleaning cycle 4 hours, 24 m cable length, 24 V dual motor 70, micron filter, trolley included.
CODE	MODEL	CAPACITY
A130003	Dolphin Wave 50	16 m ³ /h



- 2 year warranty.

DOLPHIN WAVE 100		Provides both floor and wall cleaning. Suitable for commercial pools. Provides professional cleaning for 15 -25 m pools. With its advanced and high capacity multi-layer filtration, it cleans the water from hair strands, dust, insects and all kinds of unwanted dirt. Working time 4, 6, 8 hours, 30 m cable, swivel to prevent cable tangling, 12 kg weight, motor unit 27 VDC, DIY technology, with trolley.
CODE	MODEL	CAPACITY
A130006	Dolphin Wave 100	17 m ³ /h



- 2 year warranty

TEST KITS

POOL TEST KIT	1 bottle of chlorine indicator, 1 bottle of pH indicator, 1 pc special test tube containing chlorine-pH color threshold, 1 pcs prospectus insert.
CODE	MODEL - DESCRIPTION
700100100	Test Kiti pH - CL



POOL TEST KIT	Chlorine analysis kit.
CODE	MODEL - DESCRIPTION
Y0066	Chlorine analysis kit liquid.



HPOOL TEST KIT	Hardness kit.
CODE	MODEL - DESCRIPTION
Y0002	Total hardness.

POOL TEST KIT	Iron analysis kit.
CODE	MODEL - DESCRIPTION
Y0112	Iron analysis kit.

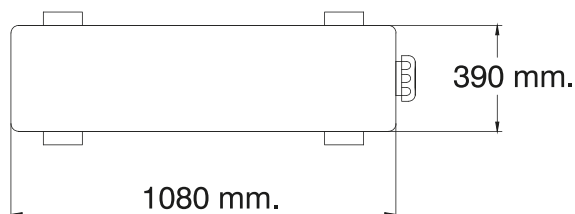
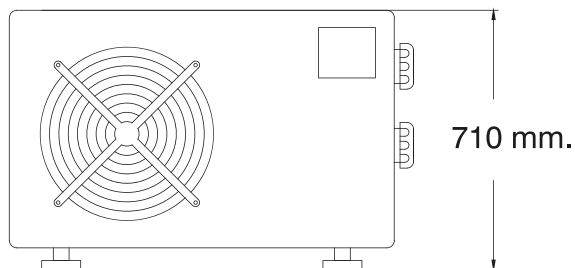


POOL ANALYSIS DEVICE	
CODE	MODEL - DESCRIPTION
Y0655	Handheld pH meter
Y0052	Handheld TDS meter



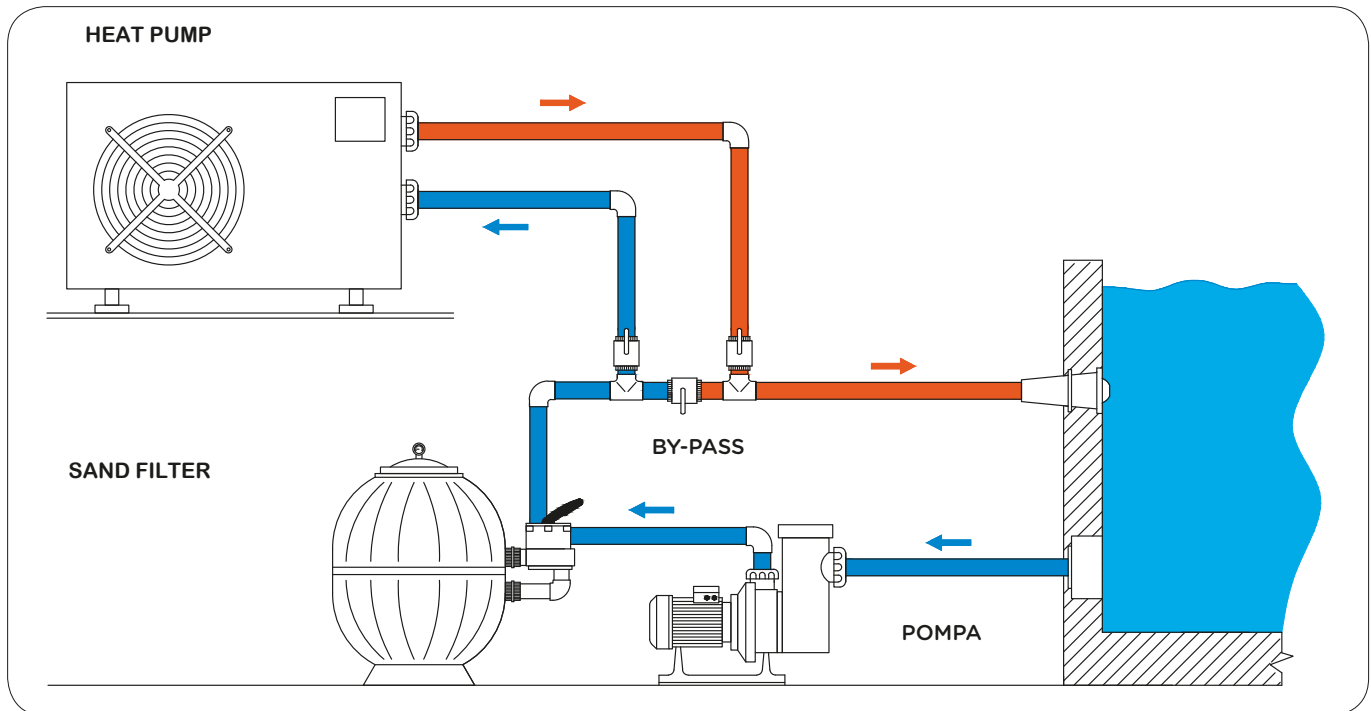
HEAT PUM

HEAT PUM	Pump for heating chlorinated, saline pools and hot tubs. The heating system is based on an external power system. It provides a gain of 5 Kwat a consumption of 1 Kw. Panasonic internally protected compressor, high performance evaporator coil, direct axial fan activation motor, pure titaniumwater condenser.
CODE	DESCRIPTION
700800304N	7,3kW
700800305N	9,8kW
700800306N	12kW
700800307N	14kW



TECHNICAL SPECIFICATIONS

- > Installation outdoors and next to the bunker.
- > PVC Ø50 hydraulic connection with by-pass filtering.
- > There must be a 50 cm gap between the back of the heat pump and the wall. There should be no obstacle (wall etc.) up to 4-5 m in front of it.
- > Power supply with 30 mA differential switch protection on the line.



MODEL			700800304N	700800305N	700800306N	700800307N
POWER SUPPLY		V/Ph/Hz	220 ~ 240V/1/50			
COOLER			R410a			
A24 / W26°C	HEATING CAPACITY	kW	7.3	9.8	12	14
		BTU/h	24908	33438	40944	47768
	POWER INPUT	kW	1.34	1.78	2.18	2.50
	OPERATING CURRENT	A	5.8	7.7	9.5	10.9
	RETURN	-	5.45	5.5	5.5	5.6
A15 / W26°C	HEATING CAPACITY	kW	6.0	8.0	9.8	11.5
		BTU/h	20412	27402	35554	39146
	POWER INPUT	kW	1.32	1.76	2.16	2.47
	OPERATING CURRENT	A	5.8	7.7	9.4	10.7
	RETURN	-	4.52	4.56	4.56	4.64
COMPRESSOR	TYPE		SWIVEL			
VENTILATION / FAN	DIRECTION		HORIZONTAL AXIS			
DIMENSIONS	WEB	mm	1050*360*620	1050*360*620	1050*360*620	1050*360*620
	PACKAGING	mm	1080*390*710	1080*390*710	1080*390*710	1080*390*710
NOISE LEVEL		DB(A)	46	48	49	49
WRONG WATER TEMPERATURE		°C	HEATING: 10°C-40°C		COOLING: 10°C-30°C	
PROPORTIONAL WATER FLOW		°C	-10 ~ 43			
PROPORTIONAL PRESSURE DROP		m3/h	3.1	4.2	5.2	6.0
PROPORTIONAL PRESSURE DROP		kPa	12	12	14	14
WATER CONNECTIONS		inch	1-1/2"	1-1/2"	1-1/2"	1-1/2"
CONTROL		-	LCD SCREEN BASED MICROPROCESSOR			
WATER HEAT	TYPE	-	TITANIUM	TITANIUM	TITANIUM	TITANIUM
	OUTER MATERIAL	-	PVC	PVC	PVC	PVC
COIL	TYPE	-	BLUE CLOSED ALUMINUM + ROUND COPPER TUBE INSIDE			
SUITABLE POOLS		m3	0-40	40-60	50-80	80-120

POOL EQUIPMENTS

PLATE HEAT EXCHANGER

Plate heat exchangers are the most preferred and cost-effective systems for heating pool water. Heat exchangers protect the heating or cooling sources in the system, the installation from sediment, dirt and excessive pressure in the system.

Heat exchangers can be used in many areas such as heating, cooling, circuit separator, pressure breaker.

CODE	POOL CAPACITY (m3)	REGIME DURATION (hours)	HEAT EXCHANGER CAPACITY (Kcal/h)	TEMP. PROGRAM (C)	NUMBER OF PLATES	CONNECTION IN-OUT
HY0011	80	48	30000	10-28	7	1"
HY0012	90	48	33750	10-28	8	1"
HY0013	100	48	37500	10-28	9	1"
HY0014	110	48	41250	10-28	10	1"
HY0015	120	48	45000	10-28	10	1"
HY0016	130	48	48750	10-28	12	1"
HY0017	140	48	52500	10-28	12	1"
HY0018	150	48	56250	10-28	12	1"
HY0020	170	48	63750	10-28	14	1"
HY0023	200	48	75000	10-28	18	1"
HY0024	250	48	93750	10-28	15	1"1/4
HY0025	300	48	112500	10-28	17	1"1/4
HY0027	400	48	150000	10-28	22	1"1/4
HY0029	500	48	187500	10-28	26	1"1/4
HY0030	550	48	206250	10-28	30	1"1/4



POLYESTER POOLS

Ready-made pool systems with equipment made of polyester

TECHNICAL INFORMATION

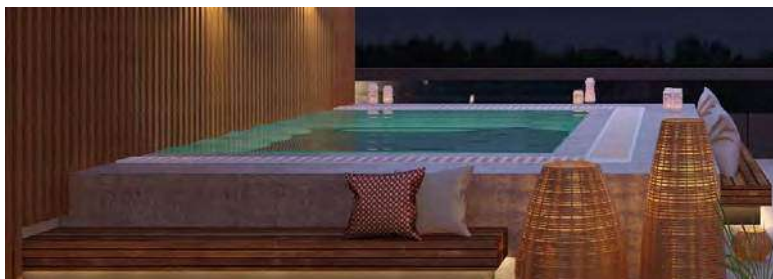
- > Made of polyester material, 10 layers
- > Lamp and skimmer locations have been opened
- > Together with transportation eyebolts
- > Optional above ground clamp

EQUIPMENT INCLUDED IN THE PACKAGE >

Polyester pool body in dimensions,

- > 2 pcs pool lamps,
- > 1 pcs skimmer,
- > 2 pcs feed nozzles
- > 30 meters of Aquaflex hose,
- > 1 pcs Europro engine room,

CODE	SIZE
EP2360	2,30X6,00
EP3070	3,00X7,00



POOL EQUIPMENTS

PREFABRICATED POOLS

TECHNICAL INFORMATION

- > Aluminum magnesium zinc alloy
- > Model with top skimmer and overflow
- > Without concrete support, including above ground applications
- > 2 mm thick
- > 80 cm panels for easy transportation and installation
- > PVC layered, anti-bacterial, extra resistant to microorganisms liner
- > High strength
- > Minimized corrosion risk due to fewer connection parts and screw apparatus
- > Can be dismantled from one place and installed in another place without any problem
- > Environmentally friendly, recyclable

Attention: In extremely loose, filled watery grounds, the metal carrying handle present in our pool must be connected to the ground concrete with a steel rope. Pool electromechanical system, pool accessories and pool equipment are included in the bed.

POOL COLOR OPTION



KIYGI BLUE



RAL 5012



RAK 5015



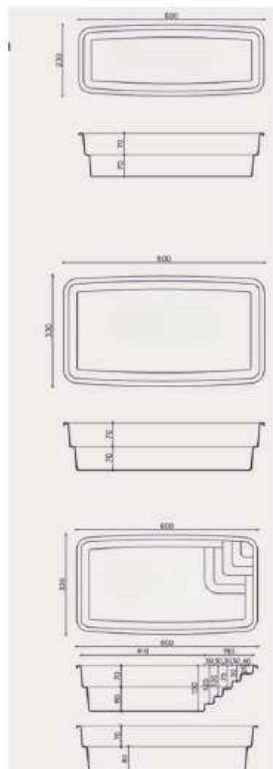
RAL 5017



RAL 9003

BERLIN

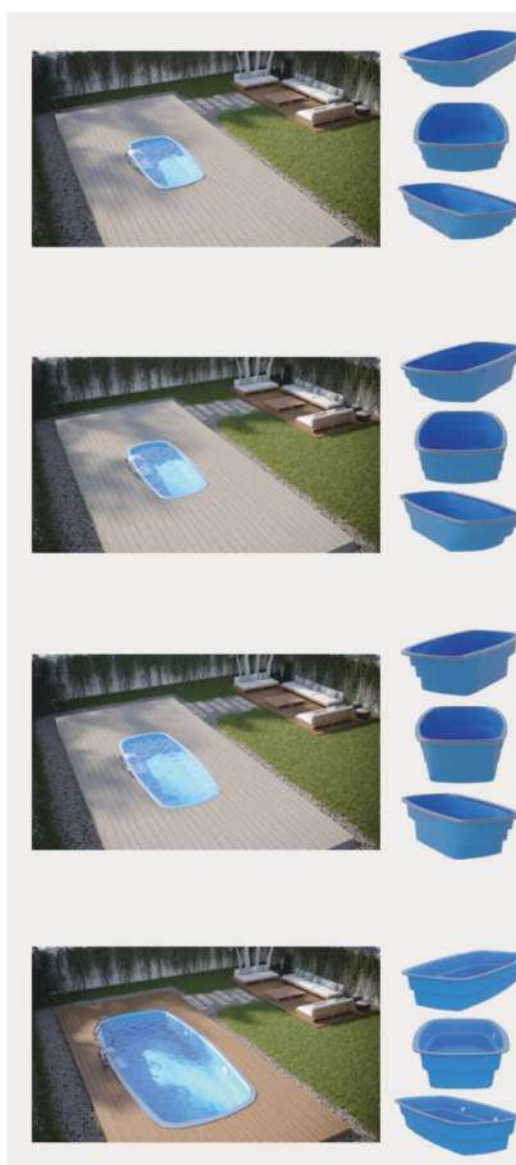
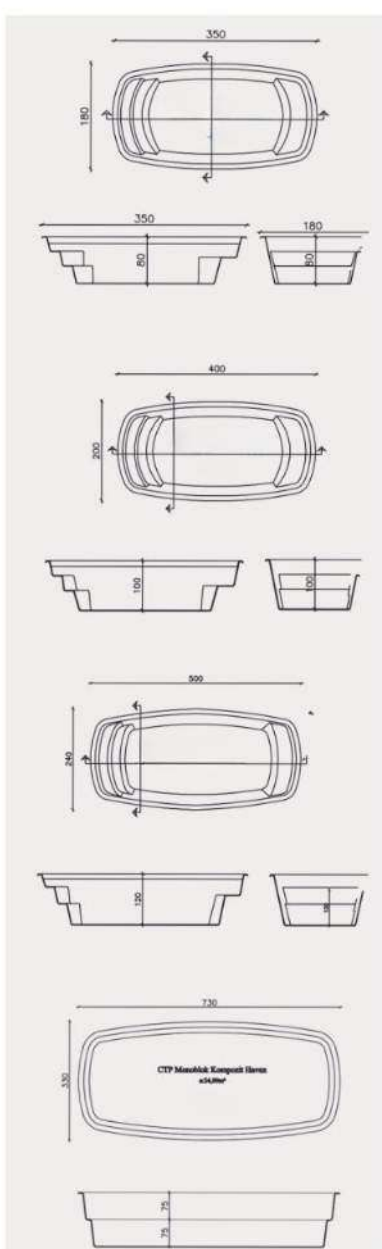
MODEL	SHELL THICKNESS	SIZE	SHELL THICKNESS
Berlin1	6-8 mm	230-600-140 cm	350 kg
Berlin2	6-8 mm	330-600-140 cm	450 kg
Berlin3	6-8 mm	330-600-140 cm	485 kg



COMPOSITE SWIMMING POOLS

HAMBURG

MODEL	SHELL THICKNESS	SIZE	SHELL THICKNESS
Hamburg1	3-5 mm	180-350-80 cm	110 kg
Hamburg2	4-6 mm	200-400-100 cm	165 kg
Hamburg3	4-6 mm	240-500-120 cm	215 kg
Hamburg4	6-8 mm	330-730-150 cm	500 kg

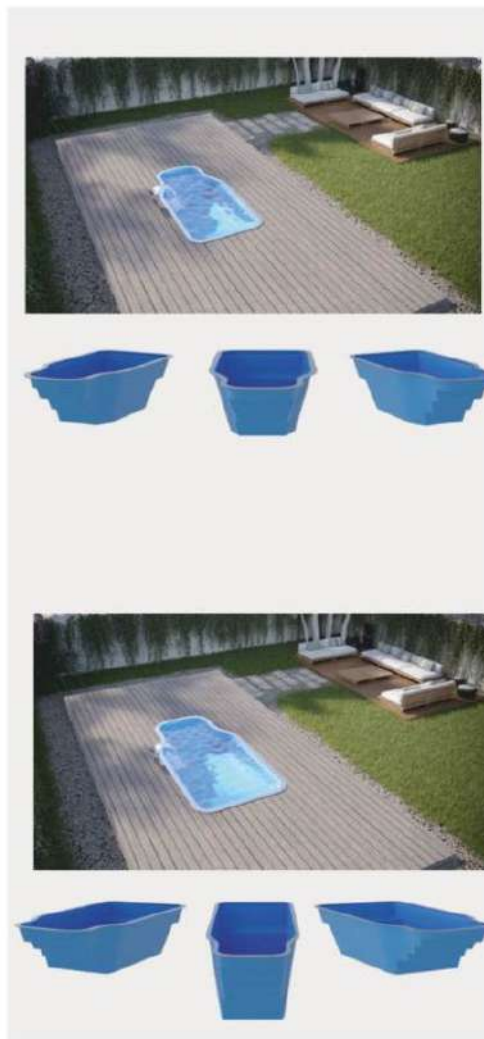
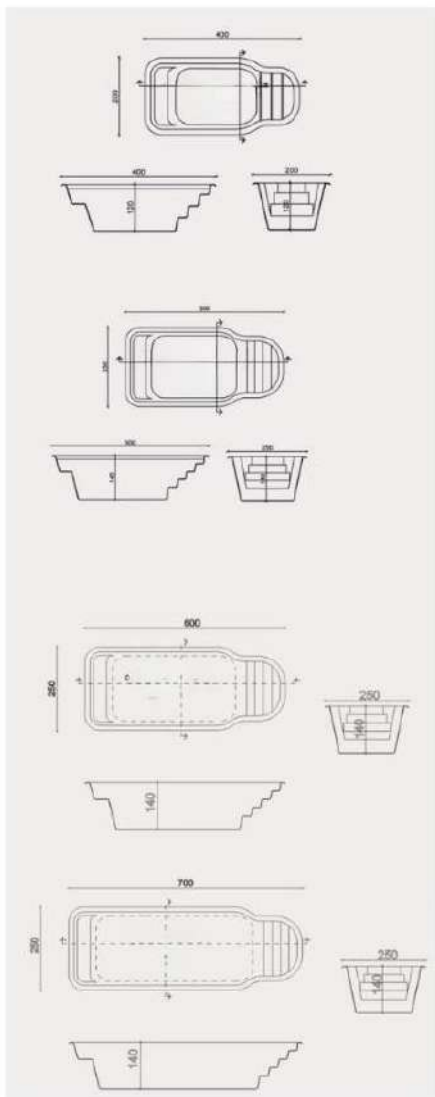


POOL EQUIPMENTS

COMPOSITE SWIMMING POOLS

HANNOVER

MODEL	SHELL THICKNESS	SIZE	SHELL THICKNESS
Hannover1	7-8 mm	200-400-120 cm	180 kg
Hannover2	5-7 mm	250-500-140 cm	270 kg
Hannover3	5-7 mm	250-600-120 cm	180 kg
Hannover4	5-7 mm	250-700-140 cm	270 kg



PREFABRICATED POOLS

It is designed according to the best way of use after passing through the production stages in accordance with national and international standards. It is made of magnesium alloy aluminum zinc compound and its strength is increased by coating with zinc.

TECHNICAL INFORMATION

- > Aluminum magnesium zinc alloy
- > Model with top skimmer and overflow
- > Without concrete support, including above ground applications
- > 2 mm thick
- > 80 cm panels for easy transportation and installation
- > PVC layered, anti-bacterial, extra resistant to microorganisms liner
- > High strength
- > Minimized corrosion risk due to fewer connection parts and screw apparatus
- > Can be dismantled from one place and installed in another place without any problem
- > Environmentally friendly, recyclable

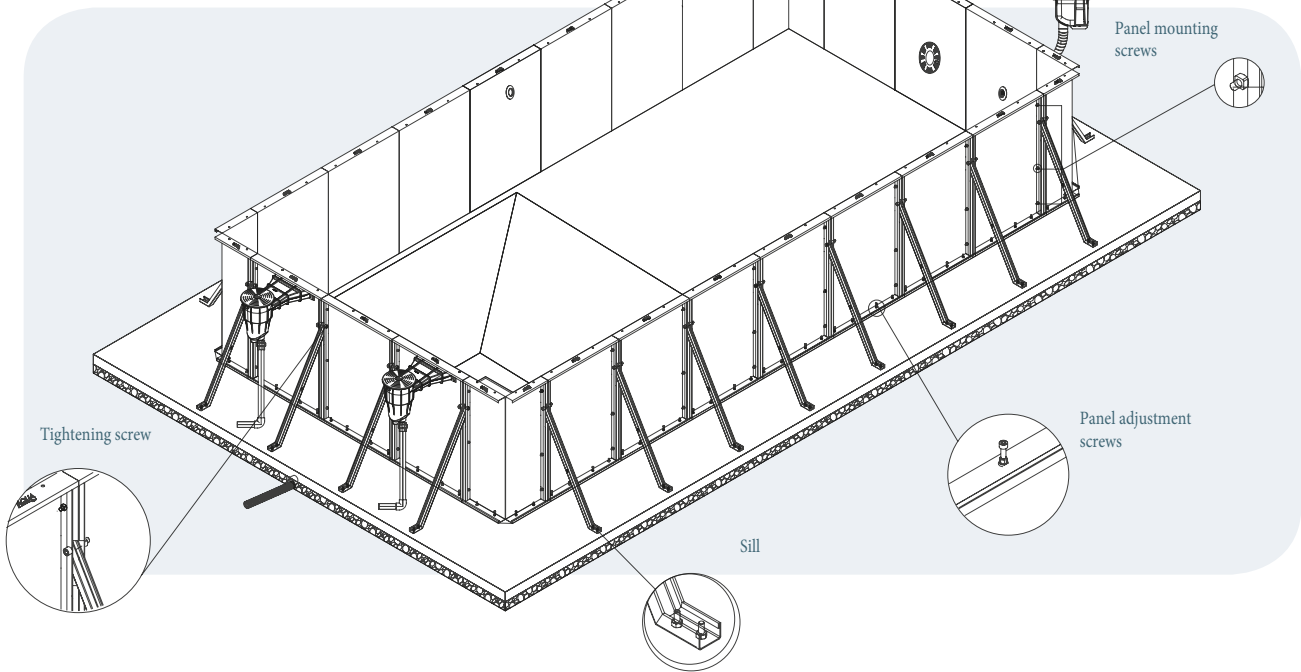
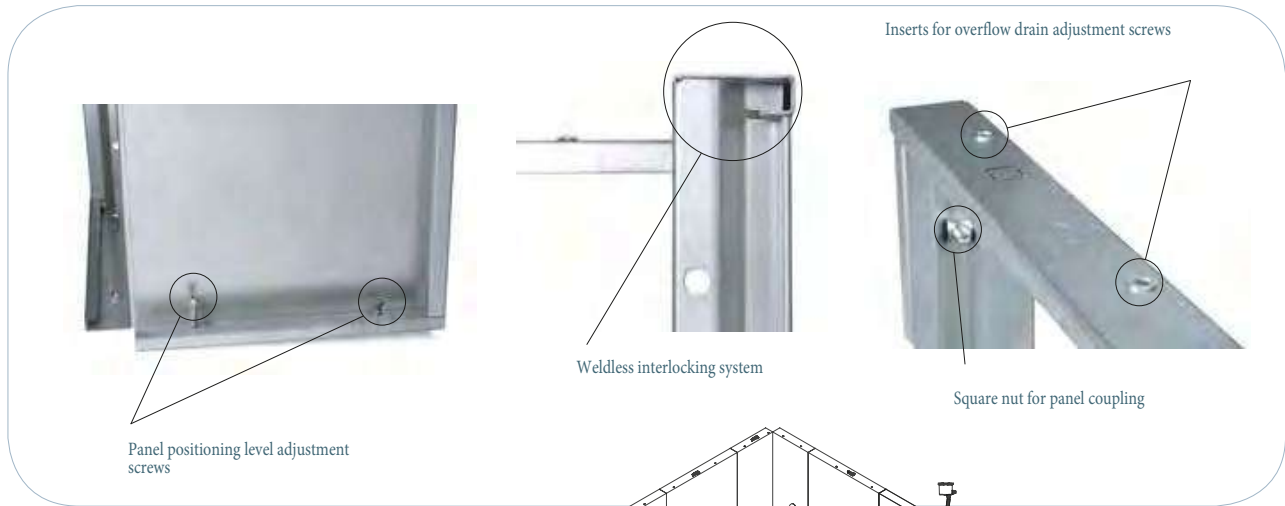


EQUIPMENT INCLUDED IN THE PACKAGE

- > Alu-Zing panels, support legs and screws
- > Engine room (Injection sand filter, dap circulation pump, mounted with time relay panel)
- > Stainless steel pool ladder
- > World famous Elbe brand liner and liner filler
- > Bottom suction and discharge nozzles
- > Lamp
- > Level regulator
- > Connection installation and fittings materials

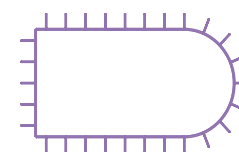


POOL EQUIPMENTS

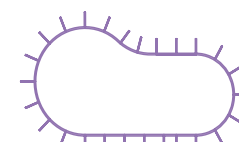


Pool size (m)	Model	Depth (m)	Pool Type
4.00 x 8.00	Rectangle	1,50	Skimmer
5.00 x 10.00	Rectangle	1,50	Skimmer
6.00 x 12.00	Rectangle	1,50	Skimmer
4.00 x 8.00	Circular	1,50	Skimmer
5.00 x 10.00	Circular	1,50	Skimmer

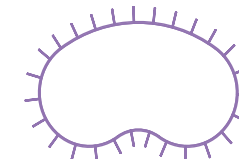
ORIONE



SIRIO



ANDROMEDA



Project-based prices are given for overflow and different shaped pool models. Please ask for a price.



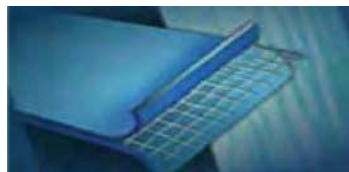
POOL EQUIPMENTS

PANEL POOL APPLICATIONS



COVERING PRODUCTS & MONTAGE ACCESSORIES

LINER	Laminated with polyester mesh. Consists of PCV fil m. 1.2 mm or 1.5 mm thickness. Weight 1,8 kg/m ² 1 roll 41,25m ² . Can be used for concrete or steel pools. Resistant to color fading caused by UV rays.
--------------	---

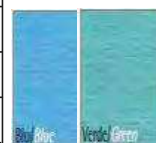
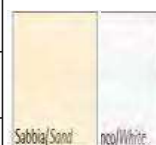


1. Polyester mesh inner cage.
2. High resistant PVC.

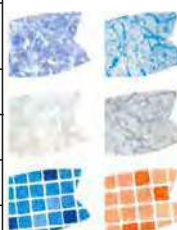
ELBE MODEL		1.2 mm reinforced liner
CODE	MODEL	DESCRIPTION
800800038R	Elbe Liner	Blue - h 1,65



ELBE MODEL		1.5 mm reinforced liner
CODE	MODEL	DESCRIPTION
800800034	Elbe Liner	Light blue
800800035		Light blue - h 2,00
800800038		Blue - h 1,65
800800039		Blue - h 2,00
800800204		Green - h 1,65
800800205		White - h 1,65
800800207		Gray - h 1,65
800800208		Dark gray - h 1,65
800800030		Cream - h 1,65
800800031		Cream - h 2,00
800800211		Black - h 1,65

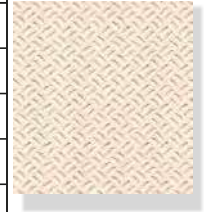


ELBE MOZAİK		
CODE	MODEL	DESCRIPTION
800800220	Mosaic Pattern	Marble - h 1,65
800800221		Cream - h 1,65
800800222		Blue - h 1,65
800800223	Veined Pattern	Blue - h 1,65
800800226		Gray - h 1,65
800800225		White - h 1,65



POOL EQUIPMENTS

ELBE NON-SLIP		Manufactured and reinforced with state-of-the-art technology. Non-slip LINER. "C" certified in the field. It is a special product. Thickness 1.8 mm.
CODE	MODEL	DESCRIPTION
800800036	NON-SLIP	Light blue
800800040		Blue
800800252		Green
800800253		White
800800254		Gray
800800255		Dark gray
800800032		Cream
800800257		Black

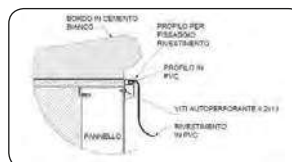
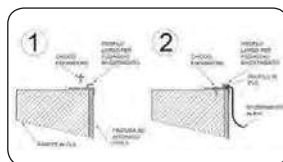
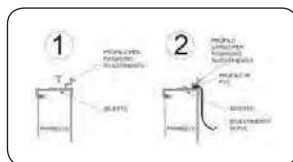
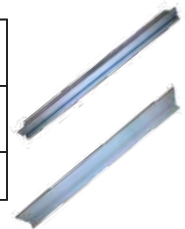


LINER ACCESSORIES

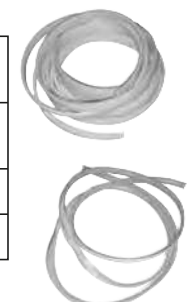
LINER FILLER - LIQUID		Liner filler is applied to the joints of liner pools. Provides integrity, has extra sealing and insulation properties. 1 lt.
CODE	MODEL	DESCRIPTION
800800061E	Alkor Plus	Adriatic blue
800800062E		Light blue
800800053E		White
800800065E		Sand color



LINER PROFILES		
CODE	MODEL	DESCRIPTION
808800022	Profil	Aluminum profile 88x22 mm



LINER PROFILE WICKS		
CODE	MODEL	DESCRIPTION
808800025	PVC profile	Profil e brush - White PVC 9x3 mm - 50 m
808800026	PVC shirt	Shirt under liner



FLEX PIPES

FLEX PIPES		Reinforced flexible PVC pipes for pool and hot tub circulation. Compatible with skimmer and overflow technology. Suitable for the use of glue or fittings. Natural flexibility and easy cutting. More flex structure than equivalent products, maximum resistance to impact and breakage, antibacterial properties due to special film layer, wide operating temperature range: -10°C/+60°C UNI EN ISO 3994 standards.
CODE	DESCRIPTION	
100200901	25 mm outer diameter	
100200902	32 mm outer diameter	
100200910	50 mm outer diameter	
100200911	63 mm outer diameter	



CODE	Outer Dia. mm	Inner Dia. mm	Thickness mm	Operating Pressure (at 23°C) BAR	Burst Pressure (at 23°C) BAR	Vacuum (mH2O) BAR	Half Dia. mm	Weight gr/m
100200901	25	20	2,7	7	21	7	80	250
100200902	32	25	3,6	7	21	7	100	395
100200910	50	43	3,6	7	21	7	170	680
100200911	63	55	4,1	5	15	7	220	1000

POOL CHEMICALS

CHLORINE GRANUL 56 (with stabilizer)

- > In the form of fast dissolving granules.
- > Contains 56% Stabilized Active Chlorine.
- > Can be used in all kinds of water including hard water.
- > Does not contain lime.
- > Stabilized in order to protect chlorine against UV rays and heat effects (provided that the required amount is present in the pool).
- > Does not cause odor and irritating effect if used in recommended amounts.
- > Compatible with all kinds of filtration systems.
- > Has no toxic effect for humans and animals if the water it is used in is swallowed.
- > Does not lose its activity for 3 years under normal storage conditions.

CODE	PACKAGING TYPE
PC.8.01.02	50 kg
PC.1.01.14	25 kg
PC.8.01.01	10 kg

SHOCK CHLORINE (without stabilizer)

- > In the form of fast dissolving granules.
- > Contains minimum 65% Stabilizer Free Active Chlorine.
- > It is non-corrosive, thanks to the calcium it contains, it prevents corrosion between joints, skin irritation of swimmers and does not cause odor around the pool.
- > Compatible with all kinds of filtration systems.
- > Has no toxic effect on humans and animals if the water it is used in is swallowed.
- > Does not lose its activity for 3 years under normal storage conditions.

CODE	PACKAGING TYPE
PC.1.01.07	25 kg

90 GRANULATED CHLORINE (with stabilizer)

- > Slow dissolving, granular form.
- > Contains 90% Active Chlorine.
- > Can be used in all kinds of water including hard water.
- > Does not contain lime.
- > Stabilized in order to protect chlorine against UV rays and heat effects (provided that the required amount is present in the pool)
- > Does not cause odor and irritation when used in recommended amounts.
- > Compatible with all kinds of filtration systems.
- > Has no toxic effect on humans and animals if the water in which it is used is swallowed.
- > Does not lose its activity for 3 years under normal storage conditions.

CODE	PACKAGING TYPE
PC.1.01.08	50 kg
PC.1.01.05	25 kg
PC.1.01.04	10 kg

FILTER CLEANER

- > In GRANULE form with high density.
- > Compatible with all sand filters. Should never be used with diatom filters.
- > Clarifies water.
- > Helps filtration.
- > Allows very small particles that cannot be filtered to combine and filter through the sand filter.

CODE	PACKAGING TYPE
PC.4.07.01	10 kg

90 TABLET CHLORINE (with stabilizer)

- > Slow dissolving, 200 g tablet form.
- > Contains 90% Active Chlorine.
- > Can be used in all kinds of water including hard water.
- > Does not contain lime.
- > Has been stabilized to protect chlorine against UV rays and heat effects (provided that the required amount is present in the pool).
- > Does not cause odor and irritating effect if used in recommended amounts.
- > Compatible with all kinds of filtration systems.
- > Has no toxic effect for humans and animals if the water it is used in is swallowed.
- > Does not lose its activity for 3 years under normal storage conditions.

CODE	PACKAGING TYPE
PC.1.01.00	10 kg
PC.1.01.10	50 kg

PH (-) Granular

- > In the form of high density, slow dissolving granules.
- > Compatible with all filter systems.
- > Dissolves in the pool and harmonizes with disinfectants and other pool chemicals in the pool.
- > Does not foam if used in recommended amounts.
- > Has no toxic effect for humans and animals if the water it is used in is swallowed.
- > Can be used for 2 - 3 years under normal storage conditions.

CODE	PACKAGING TYPE
PC.3.01.01.04	25 kg

PH (-) Liquid

- > In the form of a high density, slow dissolving liquid.
- > Compatible with all filter systems.
- > Dissolves in the pool and harmonizes with disinfectants and other pool chemicals in the pool.
- > Does not foam if used in recommended amounts.
- > Has no toxic effect for humans and animals if the water it is used in is swallowed.
- > Can be used for 2 - 3 years under normal storage conditions.

CODE	PACKAGING TYPE
PC.4.08.03	20 kg

PH (+)

- > In the form of high density, fast dissolving granules.
- > Increases pH and alkalinity value in swimming pools.
- > Compatible with all filter systems.
- > Dissolves in the pool and harmonizes with disinfectants and other pool chemicals in the pool.
- > Does not foam if used in recommended amounts.
- > Has no toxic effect for humans and animals if the water it is used in is swallowed.
- > Can be used for 2 - 3 years under normal storage conditions.

CODE	PACKAGING TYPE
PC.3.01.03.01	15 kg

ALGAE REMOVER

- > In the form of high density LIQUID.
- > Compatible with all filter systems.
- > Dissolves in the pool, compatible with disinfectants and other pool chemicals.
- > Does not increase the pH level.
- > It is effective regardless of pH value.
- > Has no toxic effect on humans and animals if the water it is used in is swallowed.
- > Can be used for 2 - 3 years under normal storage conditions.

CODE	PACKAGING TYPE
PC.3.01.04.04	25 kg
PC.3.01.04.05	20 kg

PRECIPITATOR

- > In the form of a high density LIQUID. It is more effective and easier to use than powder precipitators.
- > Compatible with all sand filters. It should never be used with diatom filters.
- > Dissolves in the pool, compatible with disinfectants and other pool chemicals.
- > Does not change the pH level.
- > Effective between 6,9 ppm and 7,8 ppm pH values.
- > Does not foam.
- > Has no toxic effect on humans and animals if the water it is used in is swallowed.
- > Can be used for 2 - 3 years under normal storage conditions.

CODE	PACKAGING TYPE
PC.3.01.06.04	25 kg

TRANSPARENT

- > In the form of a high density LIQUID.
- > Compatible with all sand filters.
- > Dissolves in the pool, compatible with disinfectants and other pool chemicals.
- > Does not foam and does not contain phosphate.
- > Reduces calcification and provides cleaning in the pool.
- > Eliminates hard sediments, gives color and clarity.
- > Self-acting, no need for pre-scraping except for old sediments.
- > Has no toxic effect for humans and animals if the water it is used in is swallowed.
- > Can be used for 2 - 3 years under normal storage conditions.

CODE	PACKAGING TYPE
PC.3.01.07.04	25 kg

CLEAR

- > In the form of high density LIQUID.
- > Used for cleaning oily black stains formed on the side walls of the pool at the upper level of the water.
- > Has superior solvent and cleaning power.
- > Can be used with all swimming pool products. It is a cleaning material compatible with waterproof coating materials produced for swimming pools.
- > Prevents calcification and increases color and clarity.
- > Self-acting, no need for pre-scraping except for old sediments.
- > Has no toxic effect on humans and animals if the water it is used in is swallowed.
- > Can be used for 2 - 3 years under normal storage conditions.

CODE	PACKAGING TYPE
PC.3.01.08.04	25 kg

PVC FITTINGS AND VALVES

U-PVC PIPES	U-PVC Adhesive Bellmouth Pipes PN 10
CODE	DIAMETER (mm)
100100321	32
100100401	40
100100501	50
100100631	63
100100751	75
100100901	90
100101101	110
100101251	125



UH-PVC ADHESIVE ELBOW	UH-PVC Adhesive Bellmouth 45° Elbow PN 16
CODE	DIAMETER (mm)
502000322	32
502000402	40
502000502	50
502000632	63
502000752	75
502000902	90
502001102	110
502001252	125



UH-PVC ADHESIVE ELBOW	UH-PVC Adhesive Bellmouth 90° Elbow PN 16
CODE	DIAMETER (mm)
500000322	32
500000402	40
500000502	50
500000632	63
500000752	75
500000902	90
500001102	110
500001252	125



UH-PVC ADHESIVE PIPE CROSS ELBOW	UH-PVC Adhesive Bellmouth 90° Pipe Cross PN 16
CODE	DIAMETER (mm)
506000322	32
506000402	40
506000502	50
506000632	63
506000752	75
506000902	90
506001102	110
506001252	125



UH-PVC ADHESIVE T	UH-PVC Adhesive Bellmouth T PN 16
CODE	DIAMETER (mm)
504000322	32
504000402	40
504000502	50
504000632	63
504000752	75
504000902	90
504001102	110
504001252	125



U-PVC VALVES	U-PVC Adhesive Bellmouth Ball Valve PN 16
CODE	DIAMETER (mm)
202000322	32
202000402	40
202000502	50
202000632	63
202000752	75
202000902	90
202001102	110



U-PVC VALVES	U-PVC Butterfly Valve (Bare) PN 10
CODE	DIAMETER (mm)
201000634	63
201000754	75
201000904	90
201001104	110
201001254	125
201001404	140
201001604	160
201002004	200
201002254	225
201002504	250
201002804	280
201003154	315



UH-PVC UNION	UH-PVC Union PN 16
CODE	DIAMETER (mm)
227000322	32
227000402	40
227000502	50
227000632	63
227000752	75
227000902	90
227001102	110



U-PVC CHECK VALVES	U-PVC Adhesive Bellmouth Spring Check Valve PN 16
CODE	DIAMETER (mm)
214000322	32
214000402	40
214000502	50
214000632	63
214000752	75
214000902	90
214001102	110



U-PVC CHECK VALVES	U-PVC One Way Internal Threaded Spring Check Valve PN 16
CODE	DIAMETER (mm)
215000322	32 x 1"
215000402	40 x 1 1/4"
215000502	50 x 1 1/2"
215000632	63 x 2"
215000752	75 x 2 1/2"
215000902	90 x 3"
215001102	110 x 4"



U-PVC CHECK VALVES	U-PVC Adhesive Bellmouth Ball Check Valve PN 16
CODE	DIAMETER (mm)
217000322	32
217000402	40
217000502	50
217000632	63



U-PVC CHECK VALVES	U-PVC One Way Internal Threaded Ball Check Valve PN 16
CODE	DIAMETER (mm)
217010322	32 x 1"
217010402	40 x 1 1/4"
217010502	50 x 1 1/2"
217010632	63 x 2"



UH-PVC ADAPTER	UH-PVC One Way Internal Threaded Reducing Adapter
CODE	DIAMETER (mm)
518000322	32 x 1"
518000402	40 x 1 1/4"
518000502	50 x 1 1/2"
518000632	63 x 2"
519000752	+75 x 2 1/2"
519000902	+90 x 3"
519001102	+110 x 4"



UH-PVC ADAPTER	UH-PVC Double Way Internal Threaded Reducing Adapter
CODE	DIAMETER (mm)
518100322	32 x 1"
518100402	40 x 1 1/4"
518100502	50 x 1 1/2"
518100632	63 x 2"
519100752	+75 x 2 1/2"
519100902	+90 x 3"
519101102	+110 x 4"



UH-PVC ADAPTER	UH-PVC External Threaded Reducing Adapter
CODE	DIAMETER (mm)
522000322	32 x 1"
522000402	40 x 1 1/4"
522000502	50 x 1 1/2"
522000632	63 x 2"
522000752	75 x 2 1/2"
522000902	90 x 3"
522001102	110 x 4"



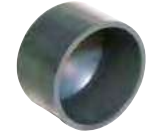
U-PVC SOCKET CLAMP	U-PVC Socket Clamp PN 16
CODE	DIAMETER (mm)
52900320204	32 x 1/2"
52900320254	32 x 3/4"
52900400204	40 x 1/2"
52900400254	40 x 3/4"
52900400324	40 x 1"
52900500204	50 x 1/2"
52900500254	50 x 3/4"
52900500324	50 x 1"
52900630202	63 x 1/2"
52900630252	63 x 3/4"
52900630322	63 x 1"
52900750202	75 x 1/2"
52900750252	75 x 3/4"
52900750322	75 x 1"
52900900202	90 x 1/2"
52900900252	90 x 3/4"
52900900322	90 x 1"
52900110204	110 x 1/2"
51300110254	110 x 3/4"
51300110325	110 x 1"



U-PVC CUFF	U-PVC Adhesive Bellmouth Sleeve PN 16
CODE	DIAMETER (mm)
511000322	32
511000402	40
511000502	50
511000632	63
511000752	75
511000902	90
511001102	110
511001252	125



U-PVC BLIND PLUG	U-PVC Adhesive Bellmouth Blind Plug PN 16
CODE	DIAMETER (mm)
516000322	32
516000402	40
516000502	50
516000632	63
516000752	75
516000902	90
516001102	110



PVC ADHESIVE	PVC Adhesive
CODE	WEIGHT (gr)
100200050	250 gr
100200051	500 gr
100200002	1.000 gr



POOL EQUIPMENTS

LANE MATERIALS

LANE SEPARATOR	Equa RM
CODE	SIZE (m)
Y0822	25
Y0823	50



LANE SEPARATOR	Equa MK
CODE	SIZE (m)
Y0824	25
Y0825	50



LANE SEPARATOR	Equa SL
CODE	SIZE (m)
Y0826	25
Y0827	50



BRACKET	Above Water
CODE	
Y0828	



SEPARATOR TENSIONER	With screw AISI 304 stainless.
CODE	
Y0829	



SEPARATOR HOOK	AISI 304 stainless
CODE	
Y0830	



SAUNA EQUIPMENT

VOLCANIC SAUNA STONE	Media sauna stone.
CODE	DESCRIPTION
Y0736	10 Kg bag



SAUNA THERMOMETER AND HYGROMETER	Sauna thermometer and hygrometer.
CODE	DESCRIPTION
Y0365	



SAUNA LAMP	Sauna lamp.
CODE	DESCRIPTION
Y0362	



SAUNA BUCKET	Sauna bucket.
CODE	DESCRIPTION
Y0364	4 lt volume



WOODEN SCOOP	Wooden scoop for sauna.
CODE	DESCRIPTION
Y0363	4 lt volume

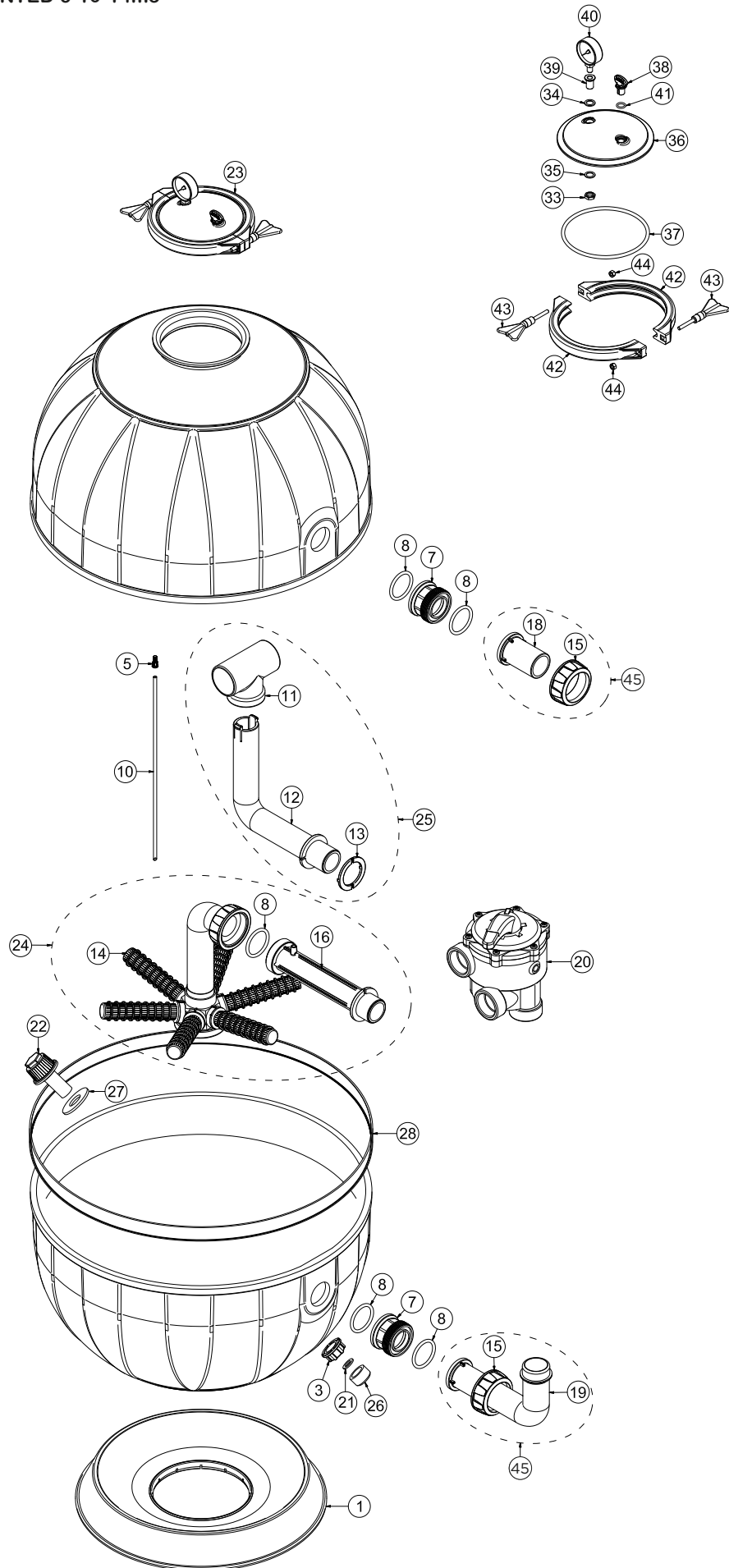


HOURGLASS	Hourglass for the sauna.
CODE	DESCRIPTION
Y0360	Wooden body



EXPLODED VIEW AND SPARE PARTS

AQUARIUS SIDE-MOUNTED 6-10-14m³



AQUARIUS 6-10-14 m3 COVER

N	CODE	DESCRIPTION	QTY
23	100100925	FILTRE KAPAK KITI	
33	MB050300	BRASS RING DE120 1/4"	1
34	MG020310	FLAT WASHER D. 13 x 19 x 1,5 IN JOINT "ROLLMART IDROTHERM	1
35	MB010920	FLAT WASHER D. 13 x 19 x 1 - INOX 304	1
36	S9010560	COVER FILTER AQUARIUS 22mc PET TRANSPARENT	1
37	MG011420	OR 148 x 6 - NBR	1
38	A6013010	VENT CAP G1/4" - LOGO AQUA	1
39	MB030550	MANOFOR COV POLL FILTER	1
40	AB060070	MANOMETER R 1/8 D.50 0 -4 RADIAL CONNECTION ABS CASE	1
41	MG010180	OR - REF. 115 - NB	1
42	S9010300	SEMI-CLAMP FOR COVER SAND FILTER INJECTION 10-14mc	2
43	S9010280	SCREW M6 BUTTERFLY FOR CLOSE CLAMPS SAND FILTERS	2
44	ADSP6000495	NUT M6 DIN 934 OT 58 HEXAGON MEDIUM NICKEL	2

AQUARIUS 6 m³

N	CODE	DESCRIPTION	QTY
1	S9010200	BASE SAND FILTER "AQUARIUS" 6-10-14 mc/h	1
3	A6079040	NUT FIXING FOR NOZZLE DRAIN FILTER D.3/4"G PP BLACK	1
5	S6070440	FISSURES AIR DISCHARGE	1
7	S6070410	CONNECTION IN-OUT 2"1/4 ØExt.65 ABS BLACK	2
8	MG011430	OR - REF. 6187 - NBR	5
10	A6070255	PIPE PVC BLACK 4 X 6 H.340 mm	1
11	S6070580B	T CONNECTION DN50 WITH GUIDE PIPE AIR DISCHARGE FOR FILTER 6-10-14MC	1
12	S6070840	ELBOW CURVE INSIDE DN50 WITH HOOKS - M1"1/2- FILTER 6M - ABS BLACK	1
13	S6070870	RING SPACER FOR ELBOW CURVES SAND FILTERS	1
14	A6079020	GLOW MM 143 BAYONET	6
15	100100519	RING PPFV BLACK DN50 2"1/4	3
16	100100412	GROUP PIPE PRESSED L 170 mm FOR KIT PIPES INF. AQUARIUS	1
18	S6070450	SLEEVE ABS BLACK WITH BATTING DN50M LONG	1
19	S6070590	ELBOW CURVE EXTERNAL DN50 ABS BLACK	1
20	100100483	ABS VALVE, CONNECTION 1"1/2 LATERAL COMMAND LEVER 6 POS BLACK WITH BOX	1
21	S8030050	FLAT SEAL GASKET 3/4 FOR SAVEWASHER HEAD	1
22	A6079030	OUTLET NOZZLE FILTER P7 0,25mm D.3/4"G L=50/50 PP-S/A HOLES AIR DISCHARGE	1
23	100100925	FILTRE KAPAK KITI	1
24	100100965	KIT LOWER PIPES AQUARIUS FILTER 6M3/H	1
25	100100966	KIT UPPER PIPES AQUARIUS FILTER 6M3/H	1
26	A6079050	PLUG 3/4"F - PP - BLACK	1
27	A6013000	FLAT SEAL GASKET RUBBER 62X27X4	1
28	MG011600	BLACK BUMPERS THERMOPLASTIC RUBBER AQUARIUS FILTER 6 MC (25x1415)	1
45	100100926	VALVE KIT FOR AQUARIUS	1

EXPLODED VIEW AND SPARE PARTS

AQUARIUS 10 m³

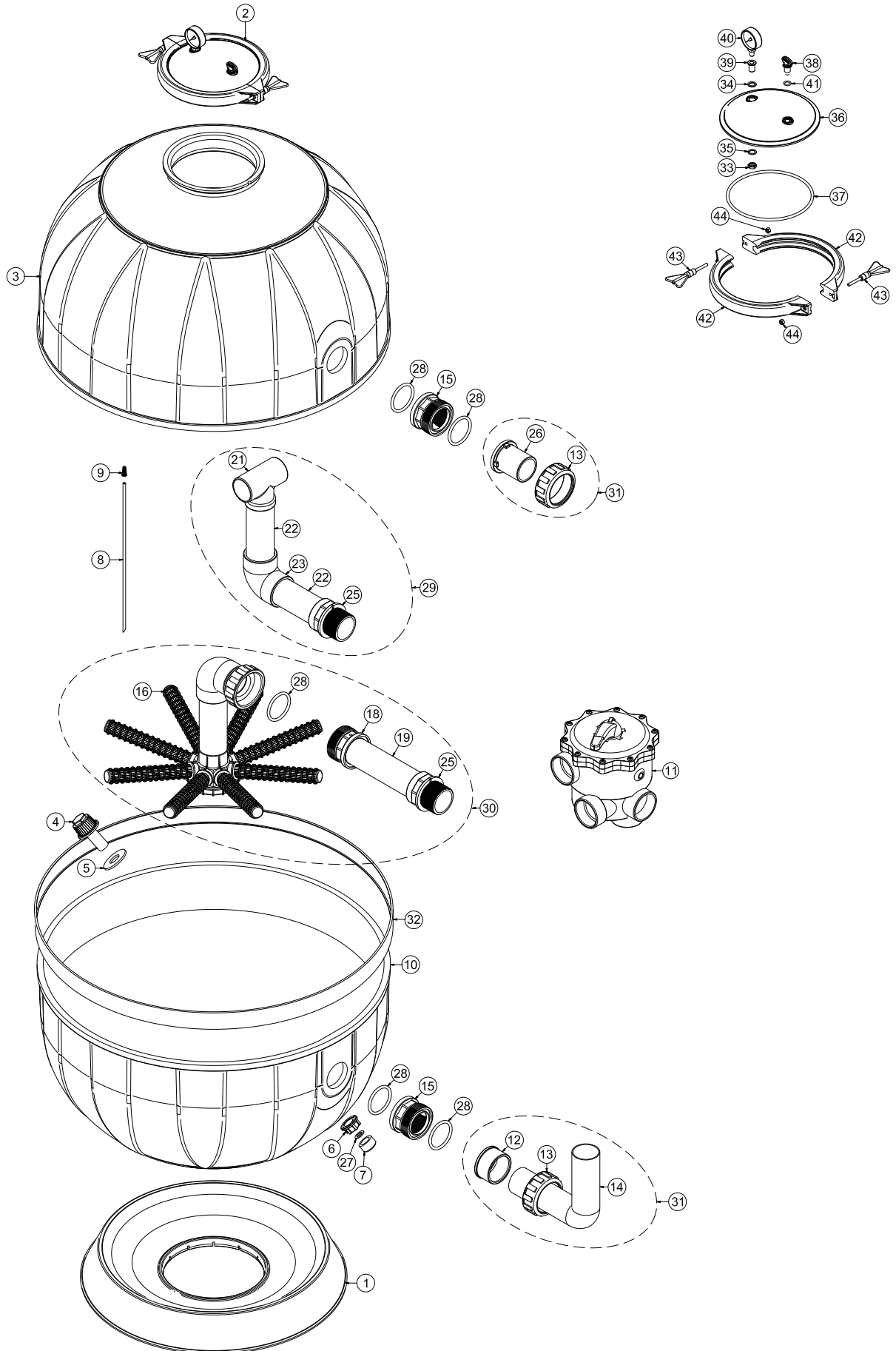
N	CODE	DESCRIPTION	QTY
1	S9010200	BASE SAND FILTER "AQUARIUS" 6-10-14 mc/h	1
3	A6079040	NUT FIXING FOR NOZZLE DRAIN FILTER D.3/4"G PP BLACK	1
5	S6070440	FISSURES AIR DISCHARGE	1
7	S6070410	CONNECTION IN-OUT 2"1/4 ØExt.65 ABS BLACK	2
8	MG011430	OR - REF. 6187 - NBR	5
10	A6070255	PIPE PVC BLACK 4 X 6 H.410mm	1
11	S6070580B	T CONNECTION DN50 WITH GUIDE PIPE AIR DISCHARGE FOR FILTER 6-10-14MC	1
12	S6070840	FİLTRE SU DOLUM DİRSEĞİ DN50	1
13	S6070870	RING SPACER FOR ELBOW CURVES SAND FILTERS	1
14	A6079020	GLOW MM 143 BAYONET	6
15	100100519	RING PPFV BLACK DN50 2"1/4	3
16	100100412	FİLTRE SU ÇIKIŞ YATAY BORU	1
18	S6070450	SLEEVE ABS BLACK WITH BATTING DN50M LONG	1
19	S6070590	ELBOW CURVE EXTERNAL DN50 ABS BLACK	1
20	100100483	ABS VALVE, CONNECTION 1"1/2 LATERAL COMMAND LEVER 6 POS BLACK WITH BOX	1
21	S8030050	FLAT SEAL GASKET 3/4 FOR SAVEWASHER HEAD	1
22	A6079030	OUTLET NOZZLE FILTER P7 0,25mm D.3/4"G L=50/50 PP-S/A HOLES AIR DISCHARGE	1
23	100100925	FİLTRE KAPAK KİTİ	1
24	100100965	DİFÜZÖR TAKIMI	1
25	100100966	KIT UPPER PIPES AQUARIUS FILTER 6M3/H	1
26	A6079050	PLUG 3/4"F - PP - BLACK	1
27	A6013000	FLAT SEAL GASKET RUBBER 62X27X4	1
28	MG011600	BLACK BUMPERS THERMOPLASTIC RUBBER AQUARIUS FILTER 6MC (25x1415)	1
45	100100926	VALVE KIT FOR AQUARIUS	1

AQUARIUS 14 m³

N	CODE	DESCRIPTION	QTY
1	S9010200	BASE SAND FILTER "AQUARIUS" 6-10-14 mc/h	1
3	A6079040	NUT FIXING FOR NOZZLE DRAIN FILTER D.3/4"G PP BLACK	1
5	S6070440	FISSURES AIR DISCHARGE	1
7	S6070410	CONNECTION IN-OUT 2"1/4 ØExt.65 ABS BLACK	2
8	MG011430	OR - REF. 6187 - NBR	5
10	A6070255	PIPE PVC BLACK 4 X 6 H.410mm	1
11	S6070580B	T CONNECTION DN50 WITH GUIDE PIPE AIR DISCHARGE FOR FILTER 6-10-14MC	1
12	S6070840	FİLTRE SU DOLUM DİRSEĞİ DN50	1
13	S6070870	RING SPACER FOR ELBOW CURVES SAND FILTERS	1
14	A6079020	GLOW MM 143 BAYONET	6
15	100100519	RING PPFV BLACK DN50 2"1/4	3
16	100100412	FİLTRE SU ÇIKIŞ YATAY BORU	1
18	S6070450	SLEEVE ABS BLACK WITH BATTING DN50M LONG	1
19	S6070590	ELBOW CURVE EXTERNAL DN50 ABS BLACK	1
20	100100483	ABS VALVE, CONNECTION 1"1/2 LATERAL COMMAND LEVER 6 POS BLACK WITH BOX	1
21	S8030050	FLAT SEAL GASKET 3/4 FOR SAVEWASHER HEAD	1
22	A6079030	OUTLET NOZZLE FILTER P7 0,25mm D.3/4"G L=50/50 PP-S/AHOLES AIR DISCHARGE	1
23	100100925	FİLTRE KAPAK KİTİ	1
24	100100965	DİFÜZÖR TAKIMI	1
25	100100966	SU DOLUM BORU SETİ	1
26	A6079050	PLUG 3/4"F - PP - BLACK	1
27	A6013000	FLAT SEAL GASKET RUBBER 62X27X4	1
28	MG011600	BLACK BUMPERS THERMOPLASTIC RUBBER AQUARIUS FILTER 6MC (25x1415)	1
45	100100926	VALVE KIT FOR AQUARIUS	1

EXPLODED VIEW AND SPARE PARTS

AQUARIUS SIDE-MOUNTED 22 m3



AQUARIUS 22 m3 COVER

N	CODE	DESCRIPTION	ADET
2	100100990	KIT COVER AQUARIUS FILTER 22MC COV.TRANSPARENT	
33	MB050300	BRASS RING DE120 1/4"	1
34	MG020310	FLAT WASHER D. 13 x 19 x 1,5 IN JOINT "ROLLMART IDROTHERM"	1
35	MB010920	FLAT WASHER D. 13 x 19 x 1 - INOX 304	1
36	S9010581	COVER FILTER AQUARIUS 22mc PET TRANSPARENT	1
37	MG011520	OR 185 x 6 - NBR	1
38	A6013010	VENT CAP G1/4" - LOGO AQUA	1
39	MB030550	FITTING FOR MANOMETER 1/4-1/8 NICHEL. FOR COV. POOL FILTER	1
40	AB060070	MANOMETER R 1/8 D.50 0 -4 RADIAL CONNECTION ABS CASE	1
41	MG010180	OR - REF. 115 - NB	2
42	S9010270	SEMI-CLAMP FOR COVER SAND FILTER INJECTION 22mc	2
43	S9010280	FSCREW M6 BUTTERFLY FOR CLOSE CLAMPS SAND FILTERS	1
44	ADSP6000495	NUT M6 DIN 934 OT 58 HEXAGON MEDIUM NICKEL	2

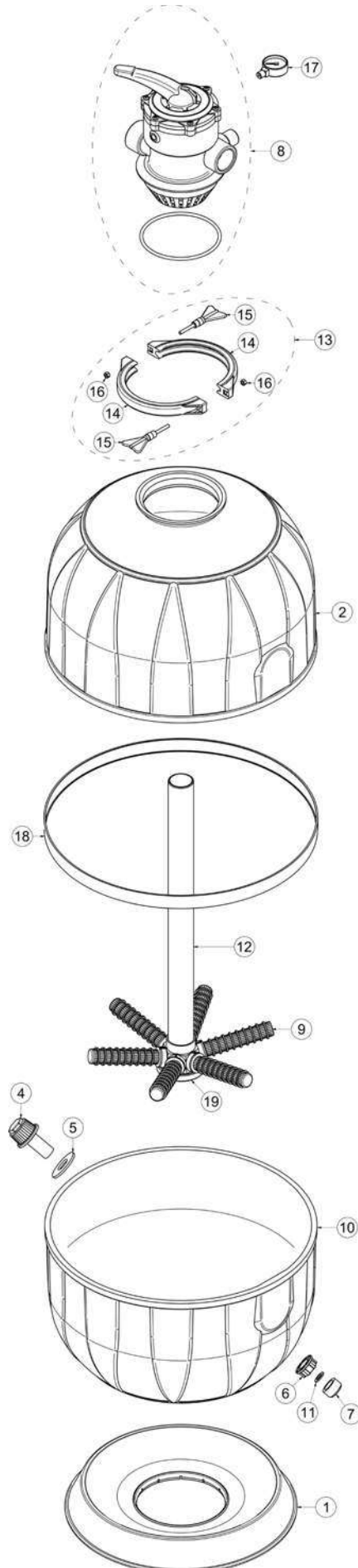
EXPLODED VIEW AND SPARE PARTS

AQUARIUS 22 m³

N	CODE	DESCRIPTION	QTY
1	S9010240	BASE SAND FILTER "AQUARIUS" 22 mc/h	1
2	100100990	KIT COVER AQUARIUS FILTER 22MC	1
3	S9010540	SEMI-SHELL SUP. SAND FILTER 22mc/h FOR V/LAT. BEIGE RAL9001	1
4	A6079030	OUTLET NOZZLE FILTER P7 0,25mm D.3/4"G L=50/50 PP-S/A HOLES AIR DISCHARGE	1
5	A6013000	FLAT SEAL GASKET RUBBER 62X27X4	1
6	A6079040	NUT FIXING FOR NOZZLE DRAIN FILTER D.3/4"G PP BLACK	1
7	A6079050	PLUG 3/4"F - PP - BLACK	1
8	A6070310	PIPE PVC BLACK 4 X 6 H.530mm	1
9	S6070440	FISSURES AIR DISCHARGE	1
10	S9010530	SEMI-SHELL INF. SAND FILTER 6mc/h FOR V/LAT. BEIGE RAL9001	1
11	100100484	ABS VALVE (131173 black), CONNECTION 2" LATERAL COMMAND LEVER 6 POS BLACK	1
12	100100517	SLEEVE ABS BLACK WITH BATTING DN63F	1
13	100100520	RING PVC BLACK DN63 2"3/4 (FILTRATION FOR POOL)	2
14	100100563	ELBOW CONNECTION FOR MOUNTING LATERAL VALVE DN63 MALE	1
15	S6070610	CONNECTION IN-OUT 2"3/4 - DN63 ABS BLACK	2
16	A6079080	GLOW MM 210 BAYONET	8
18	S6070570	CONNECTION IN-OUT 2"3/4 - BONDING FEMALE DN63 ABS BLACK	1
19	A6070360	PIPE PVC BLACK DN63 SP3.0 H.270mm FOR FILTER 22mc	1
21	S6070580	T CONNECTION DN50 WITH GUIDE PIPE AIR DISCHARGE FOR FILTER 22mc	1
22	A6070350	PIPE PVC BLACK DN63 SP3.0 H.185mm FOR FILTER 22mc	2
23	100100286	ELBOW PVC 90° DN63	1
25	S6070600	CONNECTION INSIDE 2"1/4-DN63F ABS BLACK	1
26	100100564	SLEEVE WITH BATTING DN63M LONG FOR VALVE ABS 2"	1
27	S8030050	FLAT SEAL GASKET 3/4 FOR SAVEWASHER HEAD	1
28	MG011470	OR - REF. 60x6 - NBR	4
29	100100932	KIT UPPER PIPES AQUARIUS FILTER 22M3/H	1
30	100100931	KIT LOWER PIPES AQUARIUS FILTER 22M3/H	1
31	100100934	KIT PIPES OUTLET CONNECTIONS LATERAL VALVE AQUARIUS FILTER 22M3/H	1
32	MG011630	BLACK BUMPERS THERMOPLASTIC RUBBER (8x2490) AQUARIUS FILTER 22M3/H	1

EXPLODED VIEW AND SPARE PARTS

AQUARIUS TOP-MOUNTED 6-10-14 m3



EXPLODED VIEW AND SPARE PARTS

AQUARIUS 6-10-14 m³ COVER

N	CODE	DESCRIPTION	QTY
13	100100925	FILTRE KAPAK KİTİ	1
14	S9010300	SEMI-CLAMP FOR COVER SAND FILTER INJECTION 10-14mc	1
15	S9010280	SCREW M6 BUTTERFLY FOR CLOSE CLAMPS SAND FILTERS	1
16	ADSP6000495	NUT M6 DIN 934 OT 58 HEXAGON MEDIUM NICKEL	1
17	ABO60090	MANOMETER R 1/4 D.50 0 -4 RADIAL CONNECTION ABS CASE (AQUARIUS TOP)	

AQUARIUS 6 m³

N	CODE	DESCRIPTION	QTY
1	S9010200	BASE SAND FILTER "AQUARIUS" 6-10-14 mc/h	1
2	S9010440	SEMI-SHELL SUP. SAND FILTER 6mc/h FOR V/TOP BEIGE RAL9001	1
4	A6079030	OUTLET NOZZLE FILTER P7 0,25mm D.3/4"G L=50/50 PP-S/A HOLES AIR DISCHARGE	1
5	A6013000	FLAT SEAL GASKET RUBBER 62X27X4	1
6	A6079040	NUT FIXING FOR NOZZLE DRAIN FILTER D.3/4"G PP BLACK	1
7	A6079050	PLUG 3/4"F - PP - BLACK	1
8	100100583	ABS VALVE, CONNECTION 1"1/2 TOP COMMAND LEVER 6 POS BLACK WITH BOX	1
9	A6079020	TOP BEIGE RAL9001/ GLOW MM 143 BAYONET 6	1
10	S9010420	SEMI-SHELL INF. SAND FILTER 6mc/h FOR V/TOP BEIGE RAL9001	6
11	S8030050	FLAT SEAL GASKET 3/4 FOR SAVEWASHER HEAD	1
12	A6070400	BLACK PVC PIPE DN50 SP.3 H.450 mm FOR FILTER 6MC TOP	1
13	A9010450	CLOSING CLAMP WITH SCREWS-NUT FOR AQUARIUS-TOP FILTER 6-10-14M	1
18	MG011600	BLACK BUMPERS THERMOPLASTIC RUBBER AQUARIUS FILTER 6 MC (25x1415)	1
19	A6079010	COLLECTOR 6 WAY - BAYONET	1

AQUARIUS 10 m³

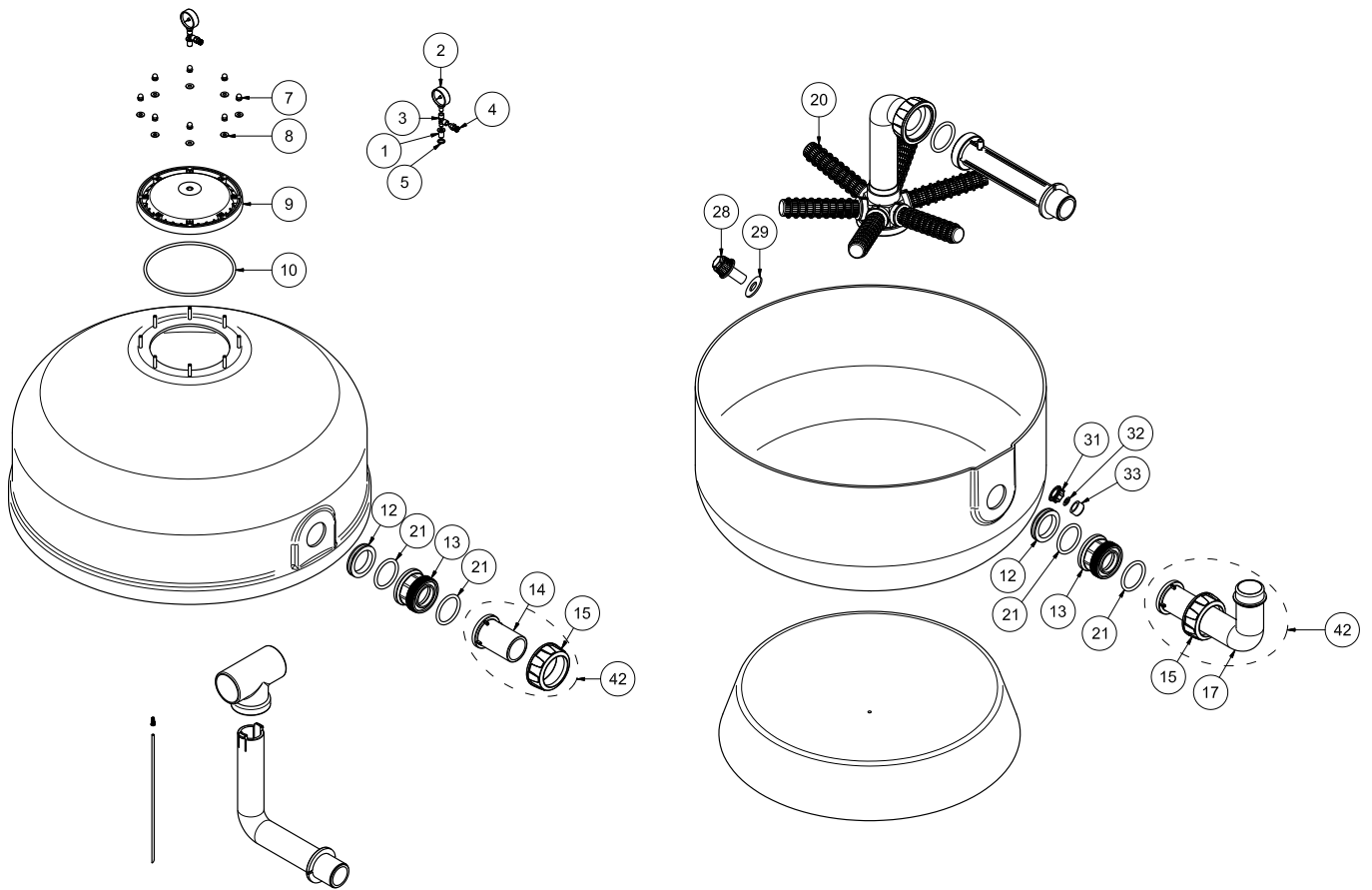
N	CODE	DESCRIPTION	QTY
1	S9010200	BASE SAND FILTER "AQUARIUS" 6-10-14 mc/h	1
2	S9010440	FİLTRE GÖVDE ÜST KABUK	1
4	A6079030	OUTLET NOZZLE FILTER P7 0,25mm D.3/4"G L=50/50 PP-S/A HOLES AIR DISCHARGE	1
5	A6013000	FLAT SEAL GASKET RUBBER 62X27X4	1
6	A6079040	NUT FIXING FOR NOZZLE DRAIN FILTER D.3/4"G PP BLACK	1
7	A6079050	PLUG 3/4"F - PP - BLACK	1
8	100100583	ABS VALVE, CONNECTION 1"1/2 TOP COMMAND LEVER 6 POS BLACK WITH BOX	1
9	A6079020	TOP BEIGE RAL9001/ GLOW MM 143 BAYONET 6	1
10	S9010420	FİLTRE GÖVDE ALT KABUK	6
11	S8030050	FLAT SEAL GASKET 3/4 FOR SAVEWASHER HEAD	1
12	A6070400	PVC BORU DN50	1
13	A9010450	CLOSING CLAMP WITH SCREWS-NUT FOR AQUARIUS-TOP FILTER 6-10-14M	1
18	MG011600	BLACK BUMPERS THERMOPLASTIC RUBBER AQUARIUS FILTER 10 MC (25x1675)	1
19	A6079010	COLLECTOR 6 WAY - BAYONET	1

AQUARIUS 14 m³

N	CODE	DESCRIPTION	QTY
1	S9010200	BASE SAND FILTER "AQUARIUS" 6-10-14 mc/h	1
2	S9010440	FİLTRE GÖVDE ÜST KABUK	1
4	A6079030	OUTLET NOZZLE FILTER P7 0,25mm D.3/4"G L=50/50 PP-S/A HOLES AIR DISCHARGE	1
5	A6013000	FLAT SEAL GASKET RUBBER 62X27X4	1
6	A6079040	NUT FIXING FOR NOZZLE DRAIN FILTER D.3/4"G PP BLACK	1
7	A6079050	PLUG 3/4"F - PP - BLACK	1
8	100100583	ABS VALVE, CONNECTION 1"1/2 TOP COMMAND LEVER 6 POS BLACK WITH BOX	1
9	A6079020	TOP BEIGE RAL9001/ GLOW MM 143 BAYONET 6	1
10	S9010420	FİLTRE GÖVDE ALT KABUK	6
11	S8030050	FLAT SEAL GASKET 3/4 FOR SAVEWASHER HEAD	1
12	A6070400	PVC BORU DN50	1
13	A9010450	CLOSING CLAMP WITH SCREWS-NUT FOR AQUARIUS-TOP FILTER 6-10-14M	1
18	MG011600	BLACK BUMPERS THERMOPLASTIC RUBBER AQUARIUS FILTER 14 MC (25x1925)	1
19	A6079010	COLLECTOR 6 WAY - BAYONET	1

EXPLODED VIEW AND SPARE PARTS

AQUAGLASS



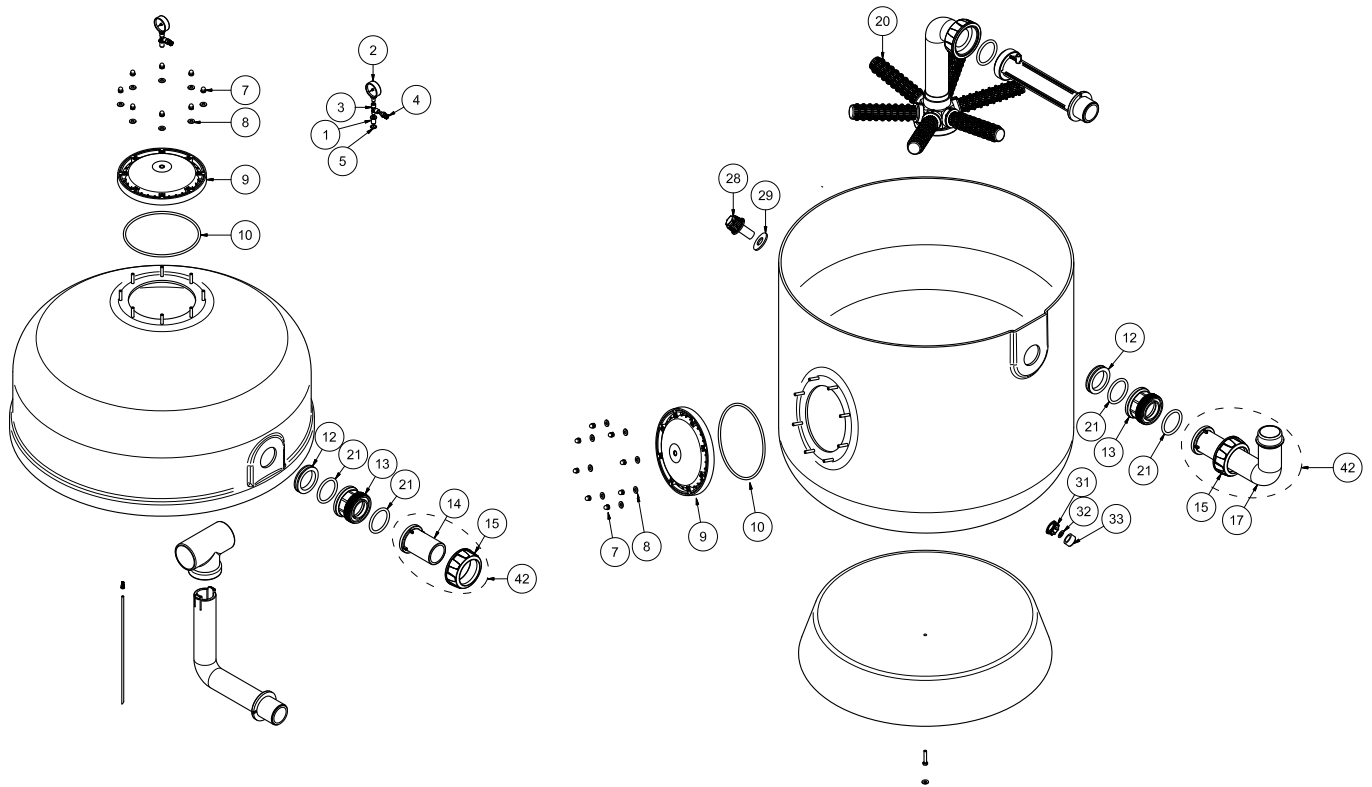
EXPLODED VIEW AND SPARE PARTS



N	MODEL	CODE	DESCRIPTION	QTY
1	10-15-25-35	MB030550	PRESSURE GAUGE FITTING 1/4-1/8	1
2	10-15-25-35	AB060070	MANOMETER R 1/8 D.50 0 -4 RADIAL CONNECTION ABS CASE	1
3	10-15-25-35	MB050290	BRASS FITTING FOR PRESSURE GAUGE	1
4	10-15-25-35	MB050310	AIR RELIEF 1/8"	1
5	10-15-25-35	MG020310	D. 13 x 19 x 1,5 WASHER	1
7	10-15-25-35	100100391	NUT FOR AQUAGLASS FILTER	8
8	10-15-25-35	100100392	WASHER FOR AQUAGLASS FILTER	8
9	10-15-25-35	100100390	COVER FILTER FOR AQUAGLASS	1
10	10-15-25-35	MG011590	NBR ORING FOR AQUAGLASS COVER	1
12	10-15	MG011640	SANDWICH GASKET FOR AQUAGLASS 10-15MC	2
	25-35	MG011650	SANDWICH GASKET FOR AQUAGLASS 25-35MC	2
13	10-15	S6070410	CONNECTION IN-OUT 2"1/4 ØExt.50 ABS BLACK	2
	25-35	S6070610	CONNECTION IN-OUT 2"3/4 ØExt.63 ABS BLACK	2
14	10-15	S6079450	SLEEVE ABS BLACK WITH BATTING DN50M LONG	1
	25-35	100100564	SLEEVE ABS BLACK WITH BATTING DN63M LONG	1
15	10-15	100100519	RING PPFV BLACK DN50 2"1/4	2
	25-35	100100520	RING PPFV BLACK DN63 2"3/4	2
17	10-15	S6070590	ELBOW CURVE EXTERNAL DN50 ABS BLACK	1
	23-35	100100517	FITTING FOR ELBOW CURVE DN63 ABS	1
		100100563	ELBOW CURVE EXTERNAL DN63ABS BLACK	1
20	10-15	A6079020	GLOW MM 143 BAYONET	6
	25-35	A6079080	GLOW MM 210 BAYONET	8
21	10-15	MG011430	OR - RIF. 6187 - NBR	5
	25-35	MG011470	OR - RIF. 60X6 - NBR	5
28	10-15-25-35	A6079030	OUTLET NOZZLE FILTER P7 0,25mm D.3/4"G L=50/50 PPS/ A HOLES AIR DISCHARGE	1
29	10-15-25-35	A6013000	FLAT SEAL GASKET RUBBER 62X27X4	1
31	10-15-25-35	A6079040	NUT FIXING FOR NOZZLE DRAIN FILTER D.3/4"G PP BLACK	1
32	10-15-25-35	S8030050	FLAT SEAL GASKET 3/4 FOR SAVEWASHER HEAD	1
33	10-15-25-35	A6079050	PLUG 3/4"F - PP - BLACK	1
42	10-15	100100926	KIT PIPES OUTLET CONNECTIONS LATERAL VALVE AQUARIUS FILTER 6-10-14mc	1
	25-35	100100934	KIT PIPES OUTLET CONNECTIONS LATERAL VALVE QUARIUS FILTER 22mc	1

EXPLODED VIEW AND SPARE PARTS

AQUAGLASS PLUS



EXPLODED VIEW AND SPARE PARTS



N	MODEL	CODE	DESCRIPTION	QTY
1	10-15-25-35	MBO30550	PRESSURE GAUGE FITTING 1/4-1/8	1
2	10-15-25-35	ABO60070	MANOMETER R 1/8 D.50 0 -4 RADIAL CONNECTION ABS CASE	1
3	10-15-25-35	MBO50290	BRASS FITTING FOR PRESSURE GAUGE	1
4	10-15-25-35	MBO50310	AIR RELIEF 1/8"	1
5	10-15-25-35	MG020310	D. 13 x 19 x 1,5 WASHER	1
7	10-15-25-35	100100391	NUT FOR AQUAGLASS FILTER	8
8	10-15-25-35	100100392	WASHER FOR AQUAGLASS FILTER	8
9	10-15-25-35	100100390	COVER FILTER FOR AQUAGLASS	1
10	10-15-25-35	MG011590	NBR ORING FOR AQUAGLASS COVER	1
12	10-15	MG011640	SANDWICH GASKET FOR AQUAGLASS 10-15MC	2
	25-35	MG011650	SANDWICH GASKET FOR AQUAGLASS 25-35MC	2
13	10-15	S6070410	CONNECTION IN-OUT 2"1/4 ØExt.50 ABS BLACK	2
	25-35	S6070610	CONNECTION IN-OUT 2"3/4 ØExt.63 ABS BLACK	2
14	10-15	S6079450	SLEEVE ABS BLACK WITH BATTING DN50M LONG	1
	25-35	100100564	SLEEVE ABS BLACK WITH BATTING DN63M LONG	1
15	10-15	100100519	RING PPFV BLACK DN50 2"1/4	2
	25-35	100100520	RING PPFV BLACK DN63 2"3/4	2
17	10-15	S6070590	ELBOW CURVE EXTERNAL DN50 ABS BLACK	1
	23-35	100100517	FITTING FOR ELBOW CURVE DN63 ABS	1
		100100563	ELBOW CURVE EXTERNAL DN63ABS BLACK	1
20	10-15	A6079020	GLOW MM 143 BAYONET	6
	25-35	A6079080	GLOW MM 210 BAYONET	8
21	10-15	MG011430	OR - RIF. 6187 - NBR	5
	25-35	MG011470	OR - RIF. 60X6 - NBR	5
28	10-15-25-35	A6079030	OUTLET NOZZLE FILTER P7 0,25mm D.3/4"G L=50/50 PPS/ A HOLES AIR DISCHARGE	1
29	10-15-25-35	A6013000	FLAT SEAL GASKET RUBBER 62X27X4	1
31	10-15-25-35	A6079040	NUT FIXING FOR NOZZLE DRAIN FILTER D.3/4"G PP BLACK	1
32	10-15-25-35	S8030050	FLAT SEAL GASKET 3/4 FOR SAVEWASHER HEAD	1
33	10-15-25-35	A6079050	PLUG 3/4"F - PP - BLACK	1
42	10-15	100100926	KIT PIPES OUTLET CONNECTIONS LATERAL VALVE AQUARIUS FILTER 6-10-14mc	1
	25-35	100100934	KIT PIPES OUTLET CONNECTIONS LATERAL VALVE AQUARIUS FILTER 22mc	1

EXPLODED VIEW AND SPARE PARTS

AQUA STD



N	CODE	DESCRIPTION
1	100100296	CIRCULATION PUMP OPENING WRENCH
2	100100269	BUCKET COVER UNION
3	100100236	PUMP BUCKET COVER 1,5-2-3 HP STD
4	100100229	PUMP COVER O-RING 0,5-0,75-1 HP STD
5	100100235	PUMP BUCKET 1,5-2 HP STD
9	100100226	PUMP INLET - OUTLET ADAPTER UNION 1,5-2-3 HP STD
10	100100219	PUMP INLET - OUTLET ADAPTER 1,5-2-3 HP STD
11	100100218	PUMP INLET-OUTLET ADAPTER O-RING 1,5 HP
12		PUMP FRONT BODY
13	100100227	CIRCULATION PUMP BODY O-RING
14		WATER TURBINE MOUNT
15		AIR RELIEF COCK
16		AIR RELIEF COCK O-RING
17		PUMP LEG
18		PUMP LEG SUPPORT RUBBER
19		WATER TURBINE
20	100100244	1000S FAN
	100100245	1500S FAN
21	100100239	PUMP - MOTOR JOINT BLOCK
22	100100254	PUMP - MOTOR BLOCK WASHER
23	100100260	PUMP - MOTOR BLOCK STUD
24	100100242	SEAL
25	100100243	FAN

EXPLODED VIEW AND SPARE PARTS

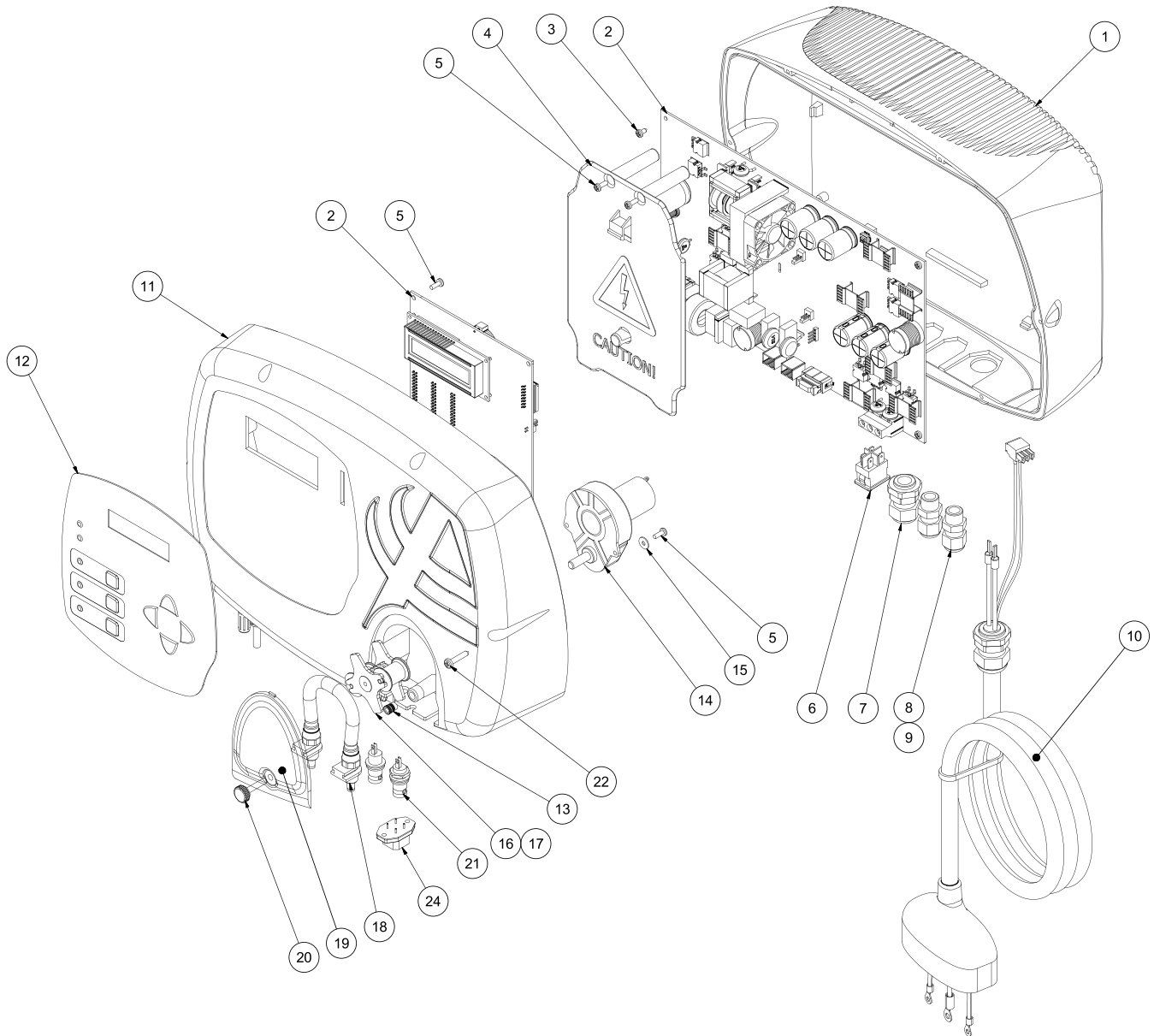
AQUA LIPARI



N	CODE	DESCRIPTION	QTY
1	100100292	RING NUT COVER LIPARI PUMP	1
2	100100291	TRANSPARENT COVER LIPARI PUMP	1
3	100100294A	GASKET LIPARI PUMP 0,5-0,75-1,0HP - WHITE	1
4	100100293	BASKET FILTER LIPARI PUMP	1
6	100100519	RING NUT PPFV BLACK DN50 2"1/4	1
7	100100221	INLET SLEEVE D.50 OF PUMP - REPLACEMENT	1
8	100100222	OR INLET RING NUT 2 1/4" OF PUMP - REPLACEMENT	1
12	100100237	OR BODY PUMP	1
13	100100387	O-RING DIFFUSER PUMP FCP-370S/550S/750S/I 100S-RIC. 13	1
14	100100388	DIFFUSER PUMP FCP-370S/550S/750S/I 100S-I I - REPLACEMENT 14	1
15	100100238	FAN IMPELLER 0,5HP- REPLACEMENT	1
	100100223	FAN IMPELLER 0,75HP- REPLACEMENT	1
	100100224	FAN IMPELLER 1,0HP- REPLACEMENT	1
16	100100239	SEALING RING FAN PUMP - REPLACEMENT	1
21	A6013010	CAP VENT G1/4" - AQUA LOGO	1
22	MG010180	FOR - REF. 115 - NBR	1
23	100100241	FAN PROTECTION FOR ELECTRIC ENGINE - REPLACEMENT	1
24	100100278	PUMP SUPPORT - REPLACEMENT	1
25	100100279	RUBBER ANTI-VIBRATION SUPPORT FOR PUMP - REPLACEMENT	1
26	100100246	CAPACITOR FOR PUMP 0,5HP - REPLACEMENT	1
	100100247	CAPACITOR FOR PUMP 0,75HP - REPLACEMENT	1
	100100248	CAPACITOR FOR PUMP 1,0HP - REPLACEMENT	1
27	100100240	FAN FOR ELECTRIC ENGINE - REPLACEMENT	1

EXPLODED VIEW AND SPARE PARTS

AQUA SALT SALT CHLORINATOR



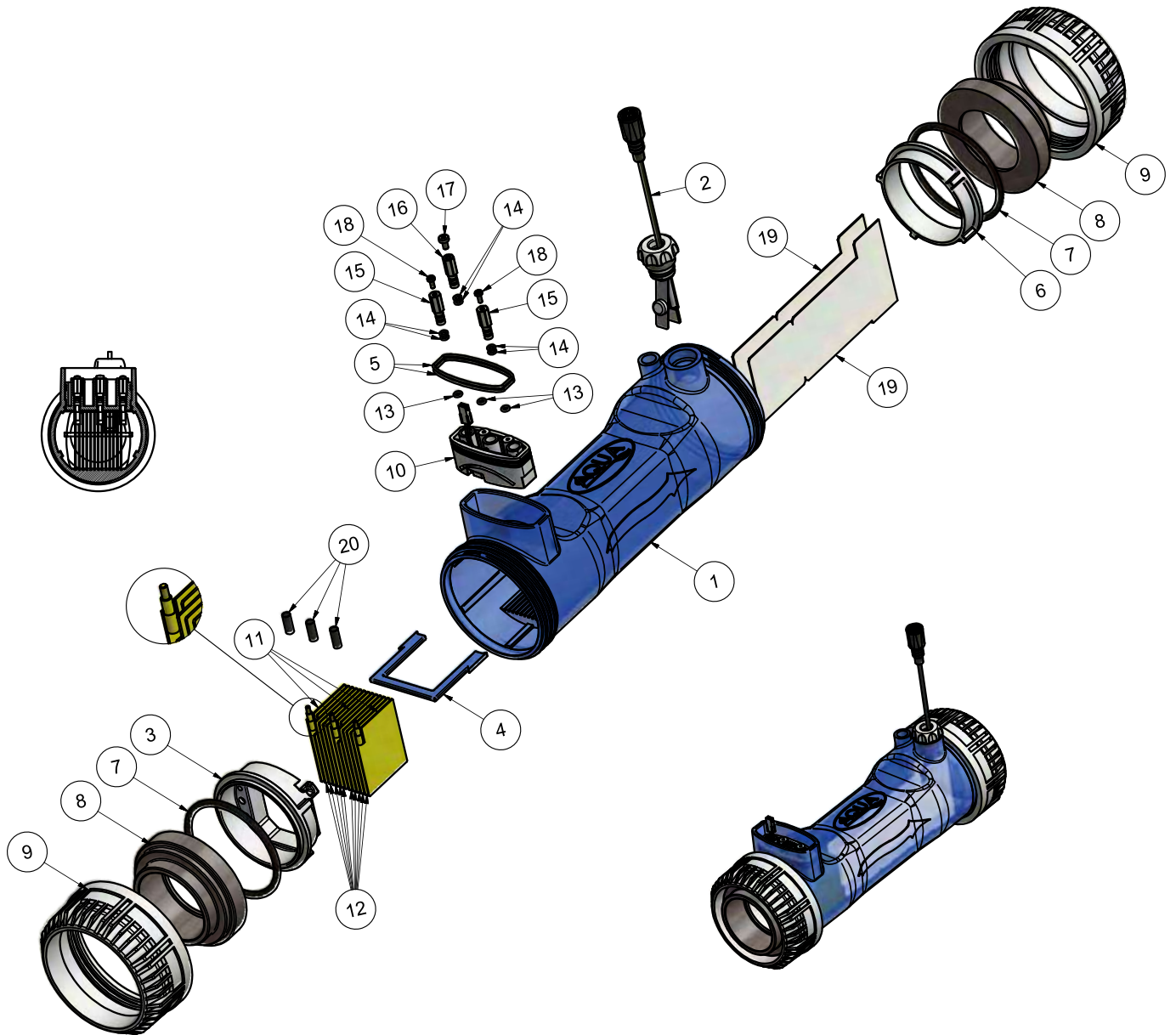
EXPLODED VIEW AND SPARE PARTS 219



N	CODE	DESCRIPTION	QTY
1	ADSP6002030L	BACK CASE EMPTY	6
2	ADSP6002370	SKD MAIN BOARD PH	6
3	ADSP6000705	SCREW 2,9x6,5 UNI 6954	1
4	ADSP3400015	POWER SUPPLY CIRCUIT PROTECTION COVER	1
5	ADSP6000749	SCREW 3x8	1
6	ADSP9400002	SKD ON-OFF TERMINAL	1
7	ADSP6000581	UNION PG9	1
8	ADSP6000424	UNION PG7	2
9	ADSP6000626	UNION PG7	1
10	ADCAV003	CELL CONNECTION CABLE 2m	1
11	ADSP6002000	FRONT CASE EMPTY	1
12	ADSP7000627	KEY SET	1
13	ADSP8000185	PERISTALTIC TRANSPARENT COVER SCREW SOCKET	1
14	ADSP8000254	TEC 1 MOTOR	2
15	ADSP6000469	WASHER 3x9 DIN 9021	2
16	ADSP8000009A	TEC 6 ROLLER HOLDER	1
17	ADSP8000028	TEC 3 ROLLER HOLDER	1
18	ADSP8001109	SANTOPRENE HOSE	8
19	ADSP6002010	PERISTALTIC TRANSPARENT COVER	1
20	S6060070	PERISTALTIC TRANSPARENT COVER SCREW	4
21	ADSP6000292	BAĞLCONNECTION PLUGANTI FIŞİ	1
23	ADSP6000767	SCREW 3,5x19 UNI 6954	1

EXPLODED VIEW AND SPARE PARTS

AQUA SALT CELL



EXPLODED VIEW AND SPARE PARTS



N	CODE	DESCRIPTION	QTY
1	ADSP6002140	CELL BODY	1
2	ADSP6002247	AKFLOW SENSOR	1
3	ADSP6002210	PLATE LOCK PART PLASTIC	1
4	ADSP6002150	CELL PLATE PARTITION L50-150	1
5	ADSP6002490	TEMPERATURE PROBE O-RING 41x2,5 NBR 70	2
6	ADSP6002220	PLATE COVER PART PLASTIC	1
7	ADSP6002230	O-RING 6325	2
8	ADSP6002300	D63'E REDUCER	2
9	A6010660	OGASKET WHITE	2
10	ADSP6002470G	TEMPERATURE PROBE PT 100	1
11	PTEPL050102M	PLATE 50 TITANIUM ELECTRODE	3
	PTEPL100103M	PLATE 100 TITANIUM ELECTRODE	
	PTEPL150104M	PLATE 150 TITANIUM ELECTRODE	
	PTEPL200105M	PLATE 200 TITANIUM ELECTRODE	
12	PTESL050106M	PLATE 50 FLAT	10
	PTEPL100107M	PLATE 100 FLAT	
	PTEPL150108M	PLATE 150 FLAT	
	PTEPL200109M	PLATE 200 FLAT	
13	ADSP5007022	PIN ALT O-RING	3
14	ADSP5007199	PIN 4x1,5 VITON	6
15	ADSP6002201	PIN AISI 316 M3	2
16	ADSP6002202	PIN AISI 316 M4	1
17	ADSP6000812	SCREW 4x8 UNI 7687	1
18	ADSP6000713	SCREW 3x8 UNI 7687	2
19	ADSP6002275	FLOW SENSOR CONVEYOR	2

EXPLODED VIEW AND SPARE PARTS

CORNER SKIMMER

ACCESSORY	
CODE	DESCRIPTION
200200045	LEFT CORNER SKIMMER FOR REINFORCED CONCRETE POOL
200200002	RIGHT CORNER SKIMMER FOR REINFORCED CONCRETE POOL
200200044	LEFT CORNER SKIMMER FOR LINER POOL
200200001	RIGHT CORNER SKIMMER FOR LINER POOL
200200005	SKIMMER FILTER
200200006	SKIMMER COVER
200200007	WEIR
200200008	CORNER SKIMMER (SCREW, 2 GASKET, 4 FLANGE)
200200083	CORNER SKIMMER SCREW SET (3/6 STAINLESS)
200200014	CORNER SKIMMER GASKET SET
200200050	CORNER SKIMMER COVER
200200010	KCORNER SKIMMER ABS FLANGE
200200058	CORNER SKIMMER FRAME COVER
200200057	CORNER SKIMMER COVER LIFTING CIRCLE



200200006



200200058



200200005



200200007



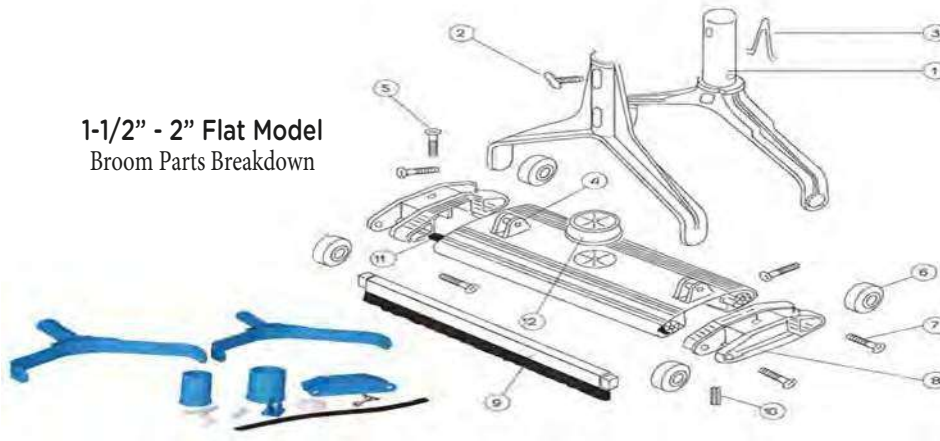
200200006



200200010

POOL BROOM

1-1/2" - 2" Flat Model
Broom Parts Breakdown

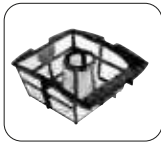


BROOM PARTS	
CODE	DESCRIPTION
Y0651	BROOM FORK 1 1/2"
Y0654	BROOM FORK 2"
Y0836	BROOM FORK BUTTERFLY SCREW, STAINLESS STEEL
Y0837	BROOM FORK CLIPS
Y0838	BROOM FORK CONNECTION PART I
Y0839	BROOM FORK CONNECTION PIN
Y0840	BROOM WHEEL
Y0841	BROOM WHEEL PIN
Y0842	BROOM SIDE BODY (WHEEL)
Y0317	BROOM BRUSH 1 1/2"
Y0318	BROOM BRUSH 2"
Y0843	BROOM BRUSH SPRING
Y0844	SBROOM RUBBER (1 M)
Y0845	BROOM CONNECTION ADAPTER 1 1/2"
Y0650	BROOM CONNECTION ADAPTER 2"

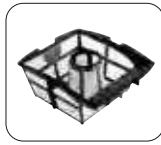
EXPLODED VIEW AND SPARE PARTS

ZODIAC POOL ROBOT

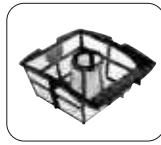
CODE	DESCRIPTION
R632602	ULTRA FINE PARTICLE FILTER CHAMBER 60M
R632601	LARGE PARTICLE FILTER CHAMBER 200M
R632600	FINE PARTICLE FILTER CHAMBER 100M
R568100	ROBOT HOUSING COVER
R597600	POLYESTER POOL BRUSH (2QTY)
R718600	SLIPPERY SURFACE BRUSH (2 QTY)



Ultra fine particle
filter chamber 60µ



Ultra fine particle
filter chamber 200µ



Ultra fine particle
filter chamber 100µ



Robot housing
cover



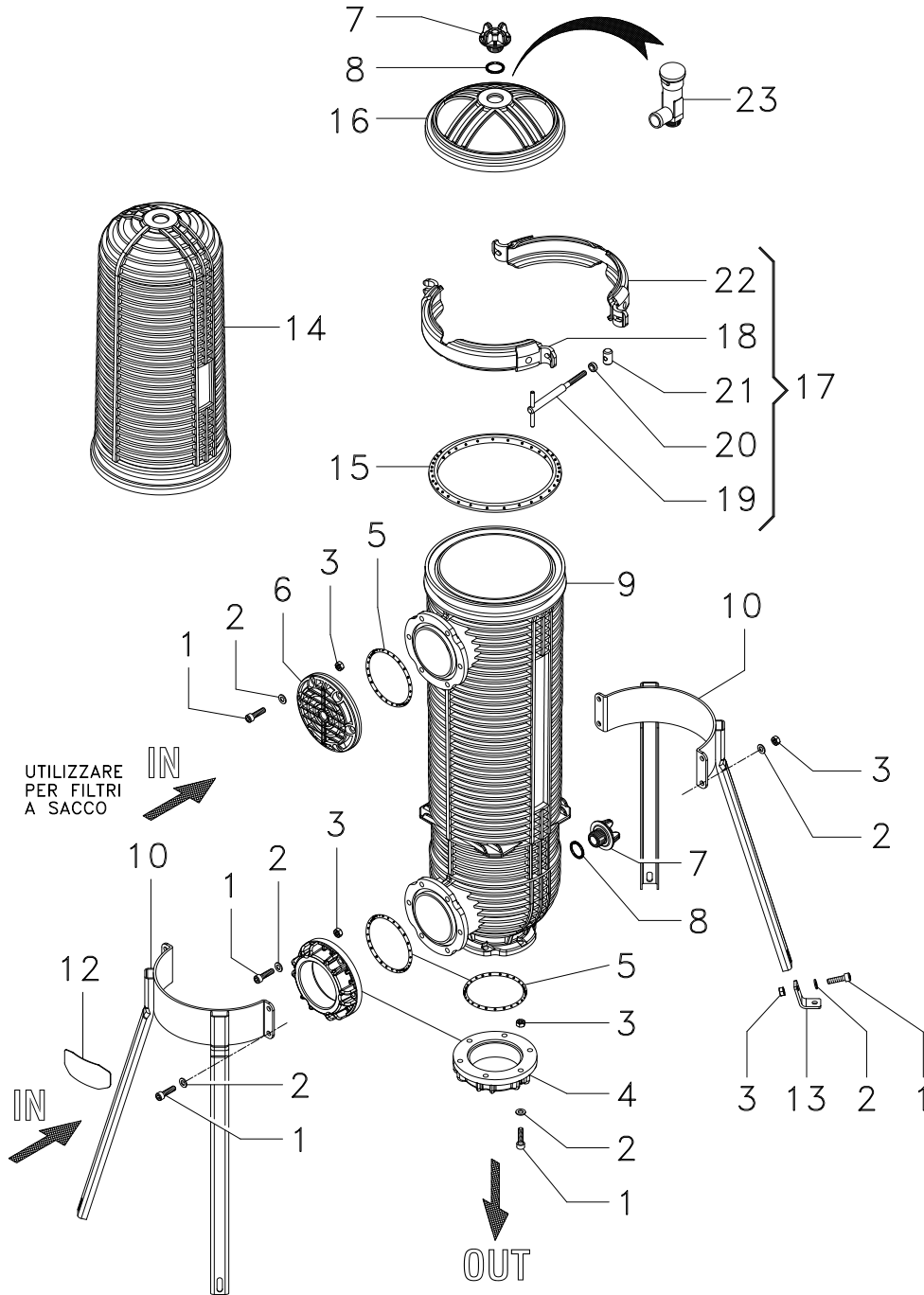
Polyester pool brush
(2 pcs)



Slippery surface

EXPLODED VIEW AND SPARE PARTS

BIG ONE



EXPLODED VIEW AND SPARE PARTS

N	CODE	DESCRIPTION	QTY
1	MB010160	SCREW 8x30 UNI 5931 INOX A2	26
2	MB010220	BUTTERFLY D.8 UNI 6592 INOX A2	30
3	MB010170	NUT M8 UNI 5588 INOX A2	26
4	S1150010F	BIG ONE FLANGE	2
5	MG01058V	O-RING 6375 VITON NERO	3
	MG010580	O-RING 6375 NBR	
6	S1150020"	BIG ONE 3"F BLIND PLUG COVER	1
7	PA010180	BIG ONE BLIND PLUG 3/4"F	2
8	MG01066V	O-RING 4081 VITON NERO	2
	MG010660	O-RING 4081 NBR	
9	A6040420	BIG ONE 23" - 40" VASO (LOWER)	1
10	A1150130	BIG ONE FLANGE SET + AIR RELIEF + O-RING	1
11	M1150130	BIG ONE METAL HALF LEG SET	2
13	L0100030	BIG ONE SCREEN PRINTING LABEL 2 COLORS	1
14	M1150140	SUPPORT LEG	4
15	A6040430	BIG ONE 40" VASO (UPPER)	1
16	MG010530	BIG ONE O-RING	1
17	A6040530F	BIG ONE 23" VASO (UPPER)	1
19	A1150090	BIG ONE CLAMP	1
20	M1150040	BIG ONE STUD	2
21	M1150060	BIG ONE INOX AISI 303 RING	2
23	M1150070	BIG ONE INOX AISI 303 NUT	2
24	AA010070	BIG ONE PRESSURE VALVE	1

TR AQUA SU ARITIMI SAN.TİC. VE MÜH. A.Ş.

CENTER OFFICE

Mimar Sinan District, Üsküdar Street, Yedpa No: 1/C
Door No: 48 Ataşehir - İstanbul
Tel: (0)216 661 60 60

Warehouse: Ferhatpaşa District, Takva Street, No: 1/1 Ataşehir - İstanbul

Web: www.aqua.com.tr - www.aquanelhavuz.com
e-mail: info@aqua.com.tr



INDUSTRIAL GROUP

DE EUROSCHWARZ WASSER INDUSTRIE

Max-Müller-Str. 22, 30179 Hannover / Germany
Phone: +49 511 20200175



WATER INDUSTRY

Head Office:

I AQUA S.p.A.:

42018 San Martino in Rio, Reggio Emilia - Italy - Via Crotti 1
Phone: +39 0522 695805/85 - Fax: +39 0522 646160
e-mail: aqua@aqua.it - Web: www.aqua.it

AQUA S.p.A. - Pool Department

46043 Castiglione d. Stiviere, Mantova - Italy
Phone: +39 0376 671973 - Fax: +39 0376 940139
e-mail: infopools@aqua.it - Web: www.aqua.it

Warehouse:

- Via S. Frazzetta, 12/B - 95123 Catania - +39 095 511371 - lpollino@aqua.it
- Viale Aldo Moro, 9 - Monopoli - Bari - +39 080 9373078 - monopoli@aqua.it



Branches:

UK AQUA WATER SYSTEMS LTD:

Unit 135 Oak Drive Hartlebury Trading Estate,
Worcestershire, DY10 4JB
Phone: +44 (0)1299 251050 - Fax: +44 (0)1299 253704
e-mail: sales@askaqua.co.uk - Web: www.askaqua.co.uk

E AQUA FILTRACION S.A.:

Pol. Ind. Castellbisbal Sud 08755
Castellbisbal, Barcelona
Phone: +34 (0)93 7711855 - Fax: +34 (0)93 7711772
e-mail: info@aqua.es - Web: www.aqua.es

UAE AQUA MIDDLE EAST FZC:

P.O.Box 42585 Sharjah - United Arab Emirates
Tel No. +971 6 526 0563 - Fax No. +971 6 526 0564
e-mail: contact@aqua-me.ae - Web: www.aqua-me.ae

IND AQUA WATER SYSTEMS INDIA PVT LTD:

4A/4B/4C-, Puttappa Industrial Estate Mahadevapura
Post, White Field Road, Bangalore 560 048
Phone 0091 80 4152 1313 - Fax 0091 80 4152 1414
e-mail: contact@aquaindia.in - sales@aquaindia.in
Web: www.aquaindia.in

RUS OOO «AQUA GROUP RUS»

Juridical Address : 107014, Egerskaya str., 1, Moscow, Russia
Residence address: 127081, Chermianskaya str, 3, Moscow, Russia
phone-fax: +7 495 6458078, +7 495 969 2413
e-mail: mail@aqua-italy.ru
Web: www.aqua-italy.ru - www.aqua.it

ООО «АКВА ГРУПП РУС»

Юридический адрес : 107014, Российская Федерация, Москва, ул. Егерская, д1
Фактический адрес: 127081- Российская Федерация, Москва, ул. Чермянская 3
Телефон/факс: 7 495 6458078, +7 495 969 2413
mail@aqua-italy.ru - www.aqua-italy.ru - www.aqua.it